


C-SCMI 2,5/6,3X0,8

Order No.: 3240059

<http://eshop.phoenixcontact.de/phoenix/treeViewClick.do?UID=3240059>Flat connector, blue, 1.5 - 2.5 mm², 6.3 x 0.8**Commercial data**

GTIN (EAN)	 4 046356 452779
sales group	B281
Pack	50 pcs.
Customs tariff	85366990
Catalog page information	Page 321 (CL2-2011)

Product notesWEEE/RoHS-compliant since:
09/23/2008

<http://www.download.phoenixcontact.com>
Please note that the data given here has been taken from the online catalog. For comprehensive information and data, please refer to the user documentation. The General Terms and Conditions of Use apply to Internet downloads.

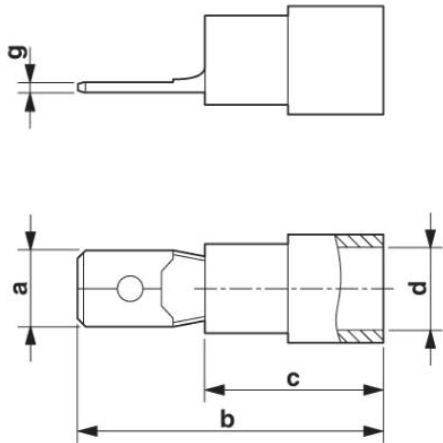
Technical data**General**

Length (b)	22.5 mm
Width (a)	6.3 mm
Color	blue
Ambient temperature (operation)	-20 °C ... 105 °C
Components	Halogen-free

Material	Brass
Length of insulation sleeve (c)	11 mm
Inner dimension of the insulating collar (d)	4.5 mm
Material thickness (g)	0.8 mm

Diagrams/Drawings

Dimensioned drawing



Address

PHOENIX CONTACT Inc., USA
586 Fulling Mill Road
Middletown, PA 17057, USA
Phone (800) 888-7388
Fax (717) 944-1625
<http://www.phoenixcon.com>



© 2011 Phoenix Contact
Technical modifications reserved;