


**C-RC 16/M5 DIN**

Order No.: 3240094

<http://eshop.phoenixcontact.de/phoenix/treeViewClick.do?UID=3240094>Ring cable lug, non-insulated, 16 mm<sup>2</sup>, M5**Commercial data**

GTIN (EAN)	 4 046356 453110
sales group	B282
Pack	100 pcs.
Customs tariff	85369010
Catalog page information	Page 314 (CL2-2011)

**Product notes**WEEE/RoHS-compliant since:  
09/23/2008

<http://www.download.phoenixcontact.com>  
Please note that the data given here has been taken from the online catalog. For comprehensive information and data, please refer to the user documentation. The General Terms and Conditions of Use apply to Internet downloads.

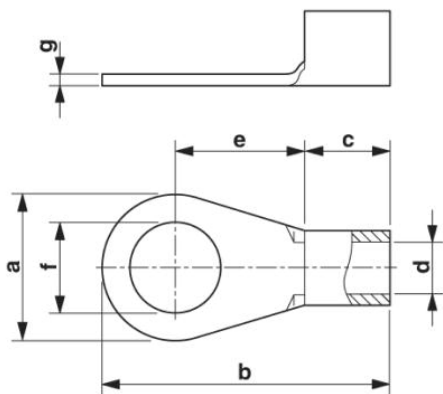
**Technical data****General**

Length (b)	26 mm
Width (a)	11 mm
Color	silver
Ambient temperature (operation)	110 °C
Material	Copper

Length of insulation sleeve (c)	10 mm
Inner dimension of the insulating collar (d)	5.8 mm
Distance between the center and the insulation sleeve (e)	10 mm
Inner diameter (f)	5.3 mm
Material thickness (g)	1.1 mm

**Diagrams/Drawings**

Dimensioned drawing



**Address**

PHOENIX CONTACT Inc., USA  
586 Fulling Mill Road  
Middletown, PA 17057, USA  
Phone (800) 888-7388  
Fax (717) 944-1625  
<http://www.phoenixcon.com>



© 2011 Phoenix Contact  
Technical modifications reserved;