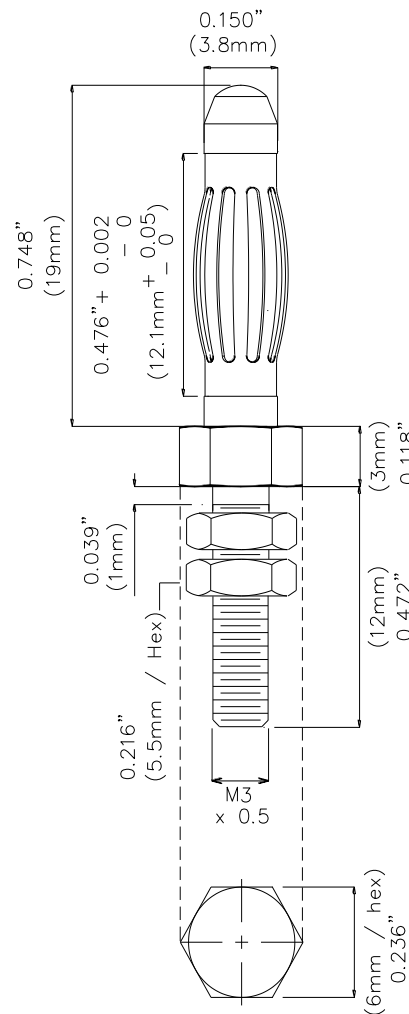


Model 72918
4mm Banana Plug with Threaded M3 Stud



Fast Installation, Rugged Performance

Features

- Threaded M3 stud for rapid mounting.
- Furnished with two hex nuts.
- Ideal for lug or ring type connections.
- Mates to standard 4mm banana jacks.

Materials

Body: Nickel-plated brass
Finish: Tarnish resistant nickel

Ratings

Voltage: For *CE compliance* and for personal safety, do not hold in hand when voltages exceed 30 Vrms / 42.4 Vpk / 60 Vdc, or current exceeds 8A maximum..

Maximum voltage for *hands free use* in controlled testing environments: 5000 Vdc
Do not use on circuits where transient stresses can exceed the rated voltage.

Current: 36 A

Ordering Information

Model: 72918

USA: Sales: 800-490-2361
Technical Support: technicalsupport@pomonatest.com
Fax: 425-446-5844

Europe: 31-(0) 40 2675 150 **International:** 425-446-5500

Where to Buy: www.pomonaelectronics.com

All dimensions are in inches. Tolerances (except noted): .xx = ±.02" (.51 mm), .xxx = ±.005" (.127 mm). All specifications are to the latest revisions. Specifications are subject to change without notice. Registered trademarks are the property of their respective companies.