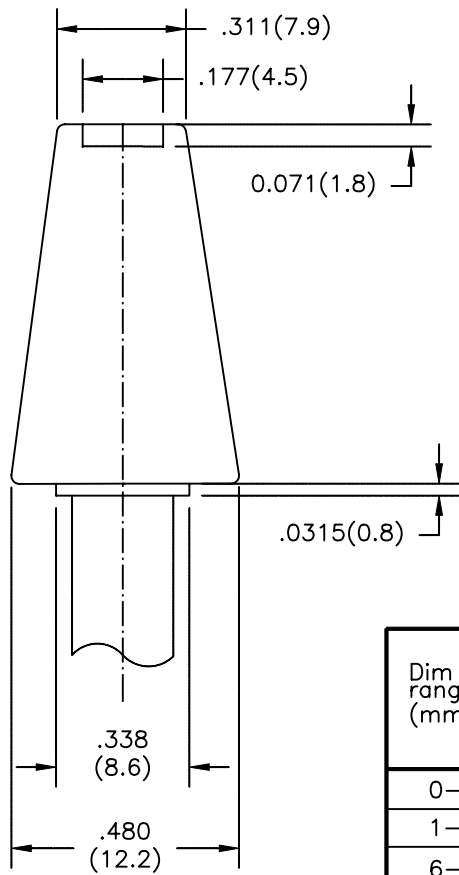
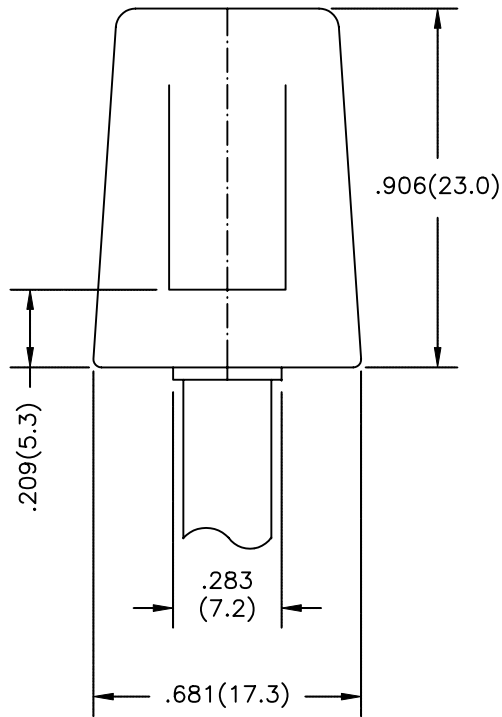
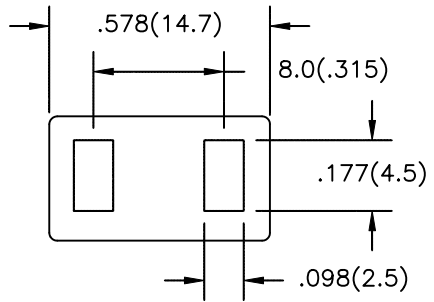


Revision			
Rev.	Description	Date	Approved



- Note:
1. UL & CSA certified.
  2. Rated: 7A 300V
  3. Material:  
Body: PVC  
Cord: SPT-1 18AWG/2C  
Terminal: Brass(Nickel plated)
  4. Cordage Length: 24"
  5. Termination: Blunt Cut

Dim range (mm)	Tolerance +/- (mm)	Qualtek Electronics Corp.		
		FAN-S DIVISION		
Part Number: 07100-24		Description: MOLDED FAN CORD FEMALE STRAIGHT		
0-1	0.15	Drawn/Date	Checked/Date	Approved/Date
1-6	0.20			
6-18	0.30	B.ZHANG	01-23-03	JJH/01-23-03
18-50	0.50			
50-120	0.70	01-23-03	01-23-03	JJH/01-23-03
120-250	0.90			
250-500	1.20			