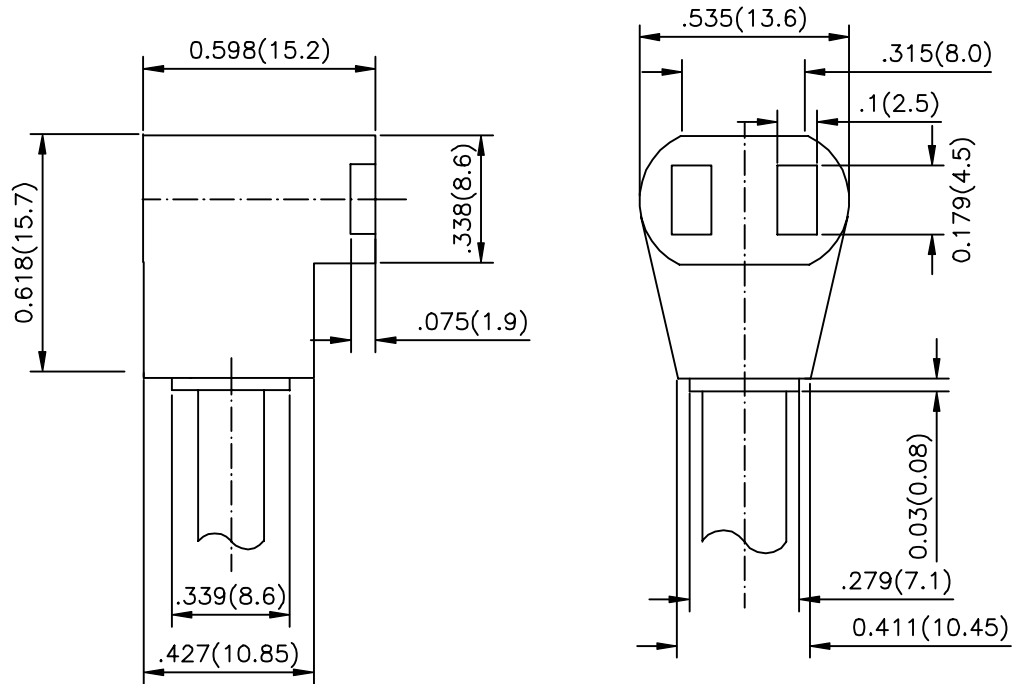


Revision			
Rev.	Description	Date	Approved



Note:

1. UL & CSA Certified.
2. Rated: 7A 300V
3. Material:  
Body: PVC  
Cord: SPT-1 18 AWG/2C  
Terminal: brass(Nickel plated)
4. Cordage Length: 24"
5. Termination: Blunt Cut

Dim range (mm)	Tolerance +/- (mm)	Qualtek Electronics Corp. FAN-S DIVISION		
		Part Number: 07190-24		
0-1	0.15	Description: MOLDED FAN CORD FEMALE 90°		
1-6	0.20			
6-18	0.30			
18-50	0.50			
50-120	0.70	Drawn/Date	Checked/Date	Approved/Date
120-250	0.90	B.ZHANG	10-18-02	JJH/10-18-02
250-500	1.20	10-18-02		