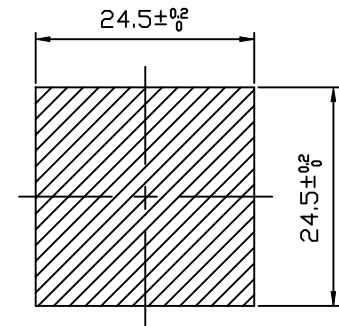
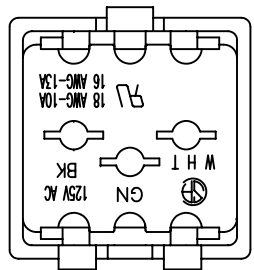
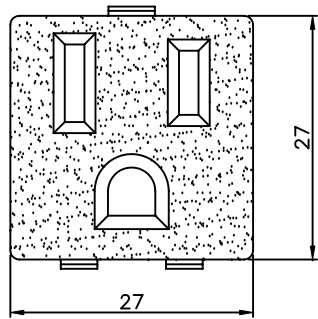
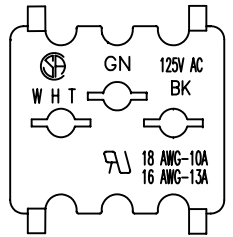
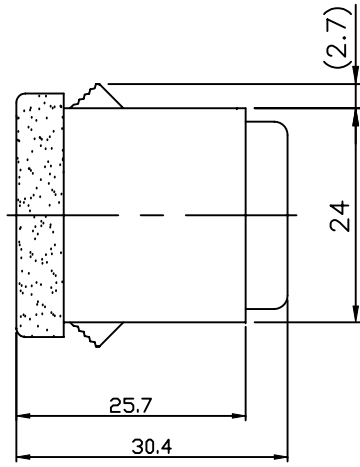
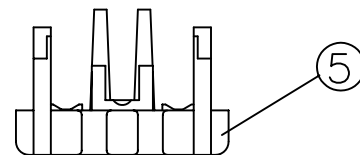
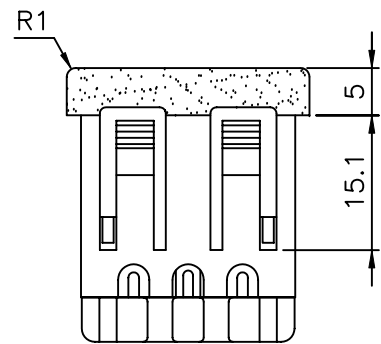
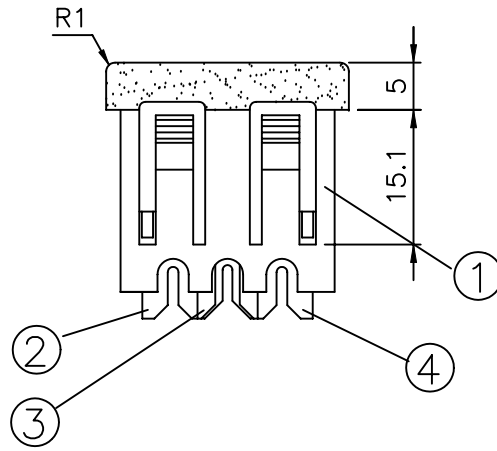


		Revision	
Rev.	Description	Date	Approved



RECOMMENDED PANEL CUTOUT
RECOMMENDED TO USE 16 AWG/18 AWG

15A 125V AC
UL CSA
NOTE: PRODUCT SHIPPED
UNASSEMBLED



5	Cover back of the Body, NYLON Block Color.	1
4	Contact PIN Bronze Strip t=0.4mm Cu	1
3	Contact PIN Bronze Strip t=0.4mm Cu	1
2	Contact PIN Bronze Strip t=0.4mm Ni-Plated	1
1	Body Insulator NYLON UL94V0 Black Color	1

Dim range (mm)	Tolerance +/- (mm)	Qualtek Electronics Corp. PPC DIVISION		
		Part Number: 739W-X2/04		
0-1	0.15	Description: SNAP-IN NEMA 5-15R		
1-6	0.20			
6-18	0.30			
18-50	0.50			
50-120	0.70	Drawn/Date	Checked/Date	Approved/Date
120-250	0.90	B.ZHANG	01-22-02	JJH/01-22-02
250-500	1.20	01-22-02		