
MULTI-FUNCTION MODULE FILTERS



Primary Power Components Division

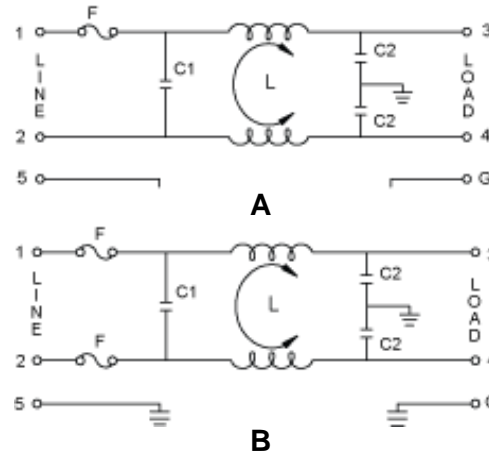
[EMI Filter Cross Reference](#)

[EMI Filter Inquiry Form](#)

**RoHS
Compliant**

860 Series Fused General Purpose Filters

A compact filter with an IEC connector and single fuse holder (5 x 20) providing common and differential mode EMI suppression

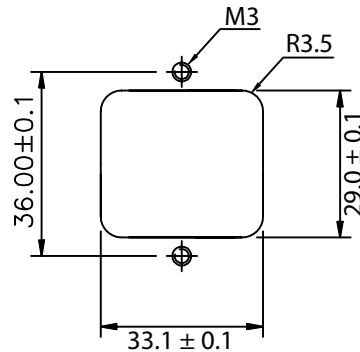
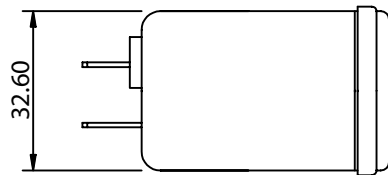
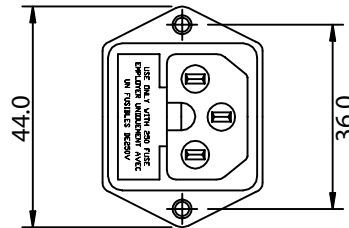
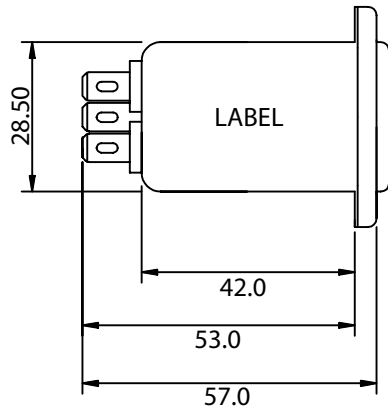


Part Number		Electrical Schematic	Similar to Corcom	Amp Rating	Size L x W x H
860-02/001		A	1EGG1-1	2	2.57 x 1.14 x 1.29
860-02/006		B	-	2	2.24 x 1.12 x 1.28
860-04/002		A	3EGG1-1	4	2.57 x 1.14 x 1.29
860-04/014		B	3EGG1-2	4	2.24 x 1.12 x 1.28
860-06/005		A	6EGG1-1	6	2.57 x 1.14 x 1.29
860-06/016		B	6EGG1-2	6	2.24 x 1.12 x 1.28

THESE DRAWINGS ARE THE PROPERTY OF QUALTEK ELECTRONICS AND NOT TO BE REPRODUCED FOR OR COMMUNICATED TO A THIRD PARTY WITHOUT THE EXPRESS WRITTEN PERMISSION OF AN OFFICER OF QUALTEK ELECTRONICS.

REVISION			
REV.	DESCRIPTION		APPROVED
B	RoHS Compliance		DP

PHYSICAL DIMENSIONS:



PANEL CUTOUT

ELECTRICAL CHARACTERISTICS:

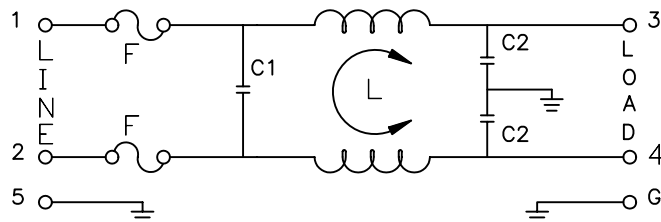
- 1-1. VOLTAGE RATING.....115/250VAC
- 1-2. CURRENT RATING
 - A. @ 115 VAC.....6 A RMS MAX
 - B. @ 250 VAC.....6 A RMS MAX
- 1-3. OPERATING FREQUENCY.....50/60Hz
- 1-4. LEAKAGE CURRENT: EACH LINE TO GROUND
 - A. @ 115 VAC 60Hz.....0.25 mA MAX
 - B. @ 250 VAC 50Hz.....0.45 mA MAX
- 1-5. HIPOT RATING (FOR ONE MINUTE)
 - A. LINE TO GROUND.....2250 VDC
 - B. LINE TO LINE.....1450 VDC
- 1-6. MINIMUM INSERTION LOSS IN dB: (AT 50 OHM SYSTEM)

FREQ. MHz	.01	.05	.10	.15	.50	1.0	5.0	10	30
COM. MODE dB	/	/	/	13	22	26	38	42	38
DIF. MODE dB	/	/	/	5	12	15	40	46	38

- 1-7. OPERATING TEMPERATURE.....-25° TO +85° C
- 1-8. SAFETY:
- 1-9. RoHS COMPLIANT

CONTROLLED

SCHEMATIC:



L: 0.8mH
 C1: 0.1uF
 C2: 3300pF

Dim range (mm)	Tolerance +/- (mm)	Qualtek Electronics Corp. PPC DIVISION	
		Part Number: 860-06/016	
0-1	0.15	Description: EMI FILTER	
1-6	0.20		
6-18	0.30		
18-50	0.50	UNIT: mm	
50-120	0.70	Drawn / Date	
120-250	0.90	B.ZHANG	
250-500	1.20		