



Genum Cable Drivers

Lowest jitter, best ORL, and data rates up to 3Gb/s

MULTI-RATES

Genum's cable drivers offer robust multi-standard operation from 143Mb/s to 2970Mb/s and are SMPTE 424M, 292M, 344M and 259M compliant.

LOW POWER

Genum offers the best performance at the lowest power consumption with an additional 45% power reduction when in standby mode.

LOW JITTER

Ultra low additive jitter at SD, HD, and 3Gb/s data rates.

BEST ORL

Better than -20dB output return loss (ORL) for HD applications and better than -12dB ORL for 3Gb/s applications.

LARGER OUTPUT SWING

The GS2988 and GS2989 offer higher maximum output swing to compensate for losses that occur after the cable driver output.

INPUT TRACE EQUALIZATION

The GS2988 and GS2989 products have trace equalization to equalize long input trace lengths.

OUTPUT SIGNAL PRESENCE

The GS2988 and GS2989 offer an output signal presence detector which provides status on the validity of the output.

UP TO FOUR OUTPUTS

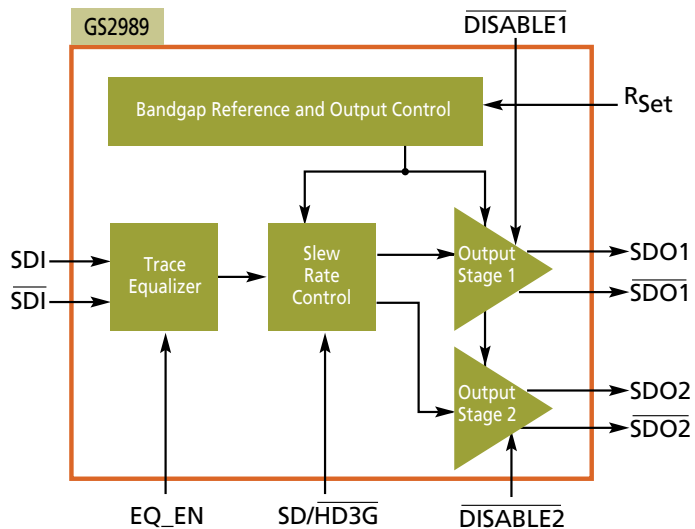
The GS2989 offers four outputs for distribution applications.

FLEXIBLE FOOTPRINT

Future proof your design by using Genum's QFN footprint compatible parts for SD, HD, or 3Gb/s applications (GS9077, GS1578A, GS2978 and GS2988).

CABLE DRIVERS

	GS2988	GS2989	GS2978	GS1578A	GS1528B	GS9077	GS9068A
Data Rate (Mb/s)	143 - 2970	143 - 2970	143 - 2970	143 - 1485	143 - 1485	143 - 540	143 - 540
Power Supply (V)	2.5 or 3.3	2.5 or 3.3	3.3	3.3	3.3	3.3	3.3
Outputs	2	4	2	2	2	2	2
Input Trace Equalization	YES	YES	NO	NO	NO	NO	NO
Output Signal Presence	NO	YES	NO	NO	NO	NO	NO
Maximum Output Swing (mV)	1800	1800	1040	800	1040	1040	1040
ESD Protection (kV)	4	4	4	2	4	4	2
ORL (dB)	-20 (HD) -12 (3G)	-20 (HD) -12 (3G)	-20 (HD) -12 (3G)	-15	-20	-20	-15
Footprint Compatible With	GS2978		GS9077 GS1578A	GS9077 GS2978	GS9068A	GS1578A GS2978	GS1528B
Temp Range (°C)	-40 - 85	-40 - 85	0 - 70	0 - 70	0 - 70	0 - 70	0 - 70
Power (mW)	125	220	168	168	168	168	168
Size (mm)	4 x 4	4 x 4	4 x 4	4 x 4	6.2 x 5	4 x 4	6.2 x 5
Package	16 QFN	16 QFN	16 QFN	16 QFN	8 SOIC	16 QFN	8 SOIC



LEARN MORE:

URL: WWW.GENNUM.COM

EMAIL: INFO@GENNUM.COM

PHONE: (905) 632-2996