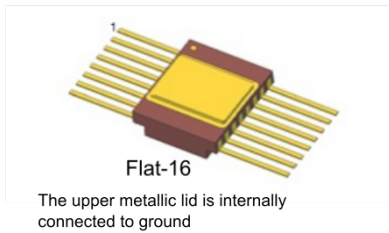


Rad-hard, 8-channel, 50 kbps to 1 Mbps, 12-bit A/D converter



Features

- 50 kbps to 1 Mbps conversion rate
- 8-to-1-channel single input MUX
- 4-to-1-channel differential input MUX
- 2.7 to 3.6 V operating supply
- Independent analog and digital supplies
- Pure CMOS
- Very low consumption: 1.65 mA typ. @ 3.6 V
- SPI, serial digital output
- Power-down function
- 300 krad TID
- 125 MeV.cm²/mg SEL free

Applications

- Analog multiplexing and conversion in space and harsh environments
- Telemetry
- Housekeeping

Description

The **RHFAD128** is specifically designed to sustain ionizing dose and heavy-ions for space applications by using a high-end proven CMOS technology.

This device is a low-power, multiplexed eight-channel 12-bit analog-to-digital converter for conversion from 50 kbps to 1 Mbps. The architecture is based on the successive-approximation register with internal track-and-hold. The **RHFAD128** features 8 analog inputs which can be programmed to be either 8-single ended or 4 differential inputs using the control register bits. The output serial data are straight binary and are compatible with SPI™.

The analog and digital power supplies operate from 2.7 V to 3.6 V, drawing a current consumption of 1.65 mA typ. and 2 mA max. only.

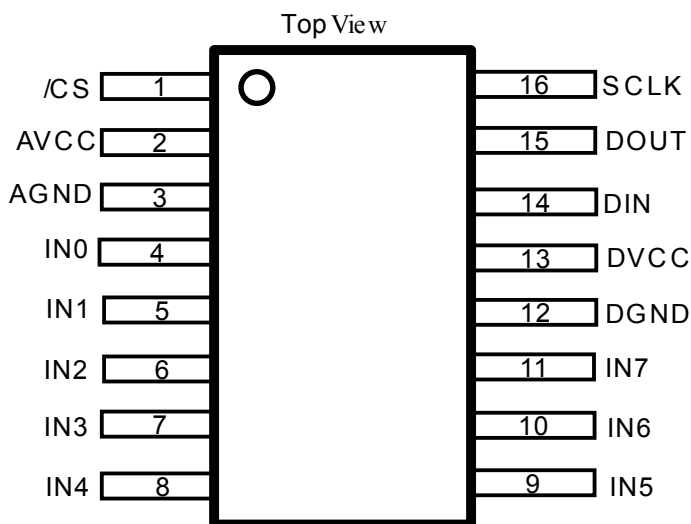
The **RHFAD128** is in hermetic ceramic Flat-16 leads, and works from -55 °C to + 125 °C ambient temperature.

Product status link

[RHFAD128](#)

1 Functional description

Figure 1. Pin description



Note: the upper metallic lid is internally connected to ground.

Figure 2. Block diagram

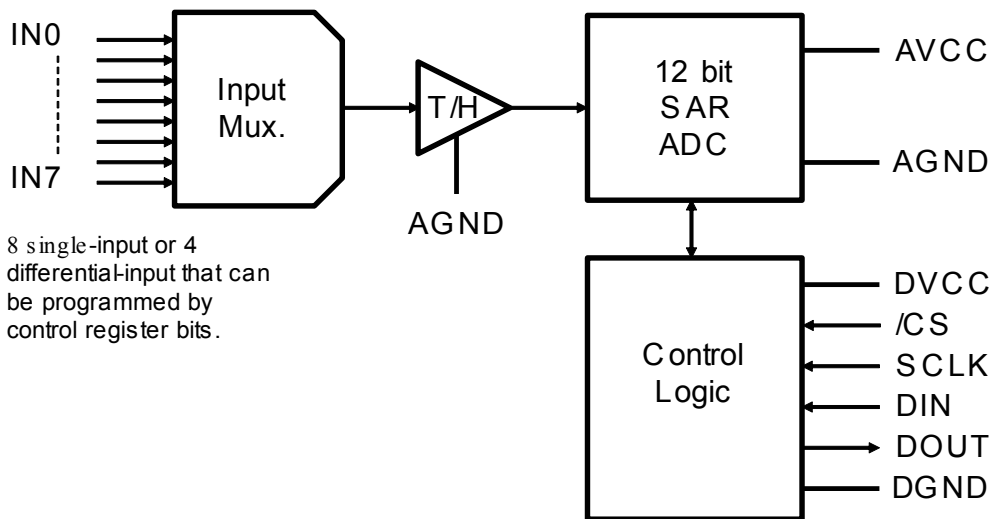


Table 1. Control register bits

Bit#	7 (MSB)	6	5	4	3	2	1	0
Symbol for single input	Any code except 11	ADD2	ADD1	ADD0	Any code except 001			
Symbol for differential input	1	1	0	ADD1	ADD0	0	0	1

Table 2. Single input channel description

ADD2	ADD1	ADD0	Input channel
0	0	0	IN0
0	0	1	IN1
0	1	0	IN2
0	1	1	IN3
1	0	0	IN4
1	0	1	IN5
1	1	0	IN6
1	1	1	IN7

Table 3. Differential input channel description

ADD1	ADD0	Differential channel
0	0	IN0-IN1
0	1	IN2-IN3
1	0	IN4-IN5
1	1	IN6-IN7

1.1 Maximum ratings and operating conditions

Absolute maximum ratings are those values beyond which damage to the device may occur. Functional operations under these conditions is not implied.

Table 4. Absolute maximum ratings

Symbol	Parameters	Value	Unit
AVCC ⁽¹⁾	Maximum analog power supply between AVCC and AGND	-0.3 V to 4.8 V	V
DVCC ⁽¹⁾	Maximum digital power supply between DVCC and DGND	-0.3 V to AVCC+0.3 V (4.8 V max.)	V
T _{stg}	Maximum temperature storage	-65 to +150	°C
T _j	Maximum junction temperature	+150	°C
R _{thja}	Junction-to-ambient thermal resistance (Flat-16 package) ⁽²⁾	120	°C/W
R _{thjc}	Junction-to-case thermal resistance (Flat-16 package) ⁽²⁾	22	°C/W
V _i	Max. voltage on any pin vs. GND	-0.3 V to AVCC+0.3 V (4.8 V max.)	V
I _i	Max. input current at any pin	±10	mA
ESD	HBM on all pins (human body model)	4 k	V

1. All voltages, except differential I/O bus voltage, refer to the network ground level.
2. Short-circuits can cause excessive heating. Destructive dissipation can result from short-circuits on the amplifiers.

Table 5. Operating conditions

Symbol	Parameters	Min.	Max.	Unit
AVCC	Analog supply voltage	2.7	3.6	V
DVCC	Digital supply voltage	AVCC - 0.15	AVCC + 0.15	V
VIN	Analog input voltage in single-ended	0	AVCC	V
	Analog input voltage in differential configuration, and VICM=AVCC/2 (see Figure 7. True-differential input range)	-AVCC	AVCC	
VICM	Common mode in differential configuration	0	AVCC	V
VIND	Digital input voltage	0	AVCC	V
SCLK	Clock frequency	0.1	16	MHz
T _a	Ambient temperature range	-55	+125	°C

1.2 Electrical characteristics

AVCC = DVCC = +3.3 V, single-ended input, AGND = DGND = 0 V, f_{SCLK} = 0.8 MHz to 16 MHz, f_{SAMPLE} = 50 ksp/s to 1 Msps, CL = 50 pF, typ. values at +25 °C, min./max. values at -55 °C/125 °C, unless otherwise specified.

Table 6. Electrical characteristics in single-ended input

Symbol	Parameters	Test conditions	Min.	Typ.	Max.	Unit
Static characteristics						
	Resolution without missing codes				12	Bits
INL	Integral non-linearity (end-point method)		-1.1	±0.6	1.1	LSB
DNL	Differential non-linearity		-0.9	±0.5	0.9	LSB
OE	Offset error		-2.3	0.8	2.3	LSB
OEM	Offset error match		-2	±0.1	2	LSB
FSE	Full scale error		-2	0.8	2	LSB
FSEM	Full scale error match		-2		2	LSB
Dynamic characteristics						
FPBW	Full power bandwidth-3 dB			6.8		MHz
SINAD	Signal-to-noise plus distortion ratio (0 to $F_s/2$)	FIN = 40.2 kHz, -0.02 dBFS	68	72		dB
SNR	Signal-to-noise ratio (0 to $F_s/2$)		69	71		dB
THD	Total harmonic distortion			-80	-74	dB
SFDR	Spurious-free dynamic range (0 to $F_s/2$)		75	81		dB
ENOB	Effective number of bits		11.1	11.4		Bits
ISO	Channel-to-channel isolation		FIN = 20 kHz, -0.02 dBFS	80	84	
IM2	2 nd order intermodulation	f_a = 19.5 kHz,		-90	-78	dB
IM3	3 rd order intermodulation	f_b = 20.5 kHz VINA=VINB=-6.02 dBFS		-90	-72	dB
Analog input characteristics						
IDCL	DC leakage current		-1		1	µA
CINA	Input capacitance	Track mode		45		pF
		Hold mode		4.5		pF
Digital input characteristics						
VIH	Input high voltage		2.1			V
VIL	Input low voltage				0.8	V
IIN	Digital input current	VIN = 0 V or DVCC	-1		1	µA
CIND	Digital input capacitance			3.5		pF
Digital output characteristics, output coding: straight (natural) binary						
VOH	Output high voltage	I _{source} =1 mA	2.8			V

Symbol	Parameters	Test conditions	Min.	Typ.	Max.	Unit
VOL	Output low voltage	$I_{\text{sink}}=1 \text{ mA}$			0.4	V
IOZH, IOZL	Hi-impedance output leakage current		-1		1	μA
COUT	Hi impedance output capacitance			3.5		pF
Power supply characteristics, CL=10 pF						
IAVCC + IDVCC	Total supply current, normal mode (CS low)	AVCC = DVCC = +2.7 V to +3.6 V, $f_S=1 \text{ MSPS}$, FIN=40 kHz		1.65	2	mA
	Total supply current, shutdown mode (CS high)	AVCC = DVCC = +2.7 V to +3.6 V, $f_S=0$		2	10	μA
AC characteristics (AVCC = DVCC = +2.7 V to +3.6 V)						
t _{CONVERT}	Conversion (hold) time			13		SCLK cycles
DC	SCLK duty cycle		40		60	%
t _{ACQ}	Acquisition (track) time cycles	See Figure 5. Serial timing diagram		3		SCLK cycles
	Throughput time Acquisition time + Conversion time			16		SCLK cycles
t _{AD}	Aperture delay			4		ns
Timing specifications (AVCC = DVCC = +2.7 V to +3.6 V) ⁽¹⁾						
t _{CSH}	CS/ hold time after SCLK rising edge	⁽²⁾	10	0		ns
t _{CSS}	CS/ setup time prior SCLK rising edge	⁽²⁾	10	4.5		ns
t _{EN}	CS/ falling edge to DOUT enabled			5	30	ns
t _{DACC}	DOUT access time after SCLK falling edge			17	27	ns
t _{DHLD}	DOUT hold time after SCLK falling edge		7			ns
t _{DS}	DIN setup time prior to SCLK rising edge		10			ns
t _{DH}	DIN hold time after SCLK rising edge		10			ns
t _{DIS}	CS/ rising edge to DOUT high-impedance	DOUT falling		2.4	20	ns
		DOUT rising		0.9	20	ns
t _{CH}	Min. SCLK high time			0.4 x t _{SCLK}		ns
t _{CL}	Min. SCLK low time			0.4 x t _{SCLK}		ns

- Limits are guaranteed by functional test.
- Clock may be in any state (high or low) when CS/ goes high. Set-up and hold time restrictions apply to CS/ going low only.

AVCC = DVCC = +3.3 V, differential input (see figure 4 for configuration), AGND = DGND = 0 V, $f_{SCLK} = 16$ MHz, $f_{SAMPLE} = 1$ Msps, CL = 50 pF, typ. values at +25 °C, min./max. values at -55 °C/125 °C, unless otherwise specified.

Table 7. Electrical characteristics in differential input

Symbol	Parameters	Test conditions	Min.	Typ.	Max.	Unit	
Static characteristics							
INL	Integral non-linearity (end point method)	VICM=AVCC/2	-0.9	±0.3	0.9	LSB	
DNL	Differential non-linearity		-0.8	±0.3	0.8	LSB	
OE	Offset error		-1.5	0.2	1.5	LSB	
OEM	Offset error match		-1.5	±0.3	1.5	LSB	
FSE	Full scale error		-2	0.5	2	LSB	
FSEM	Full scale error match		-2		2	LSB	
Dynamic characteristics							
SINAD	Signal-to-noise plus distortion ratio (0 to Fs/2)	FIN=40.2 kHz, -0.02 dBFS	69.3	72		dB	
SNR	Signal-to-noise ratio (0 to Fs/2)		71	73		dB	
THD	Total harmonic distortion			-80	-74		dB
SFDR	Spurious-free dynamic range (0 to Fs/2)		75	81		dB	
ENOB	Effective number of bits		11.2	11.6		Bits	
ISO	Channel-to-channel isolation	FIN=20 kHz, -0.02 dBFS	85	95		dB	
IM2	2 nd order intermodulation	$f_a = 19.5$ kHz, $f_b = 20.5$ kHz VINA=VINB=-6.02 dBFS		-90	-78	dB	
IM3	3 rd order intermodulation	$f_a = 19.5$ kHz, $f_b = 20.5$ kHz VINA=VINB=- 6.02 dBFS		-90	-72	dB	

1.3 Radiations

Total dose (MIL-STD-883 TM 1019):

The products guaranteed in radiation within the RHA QML-V system fully comply with the MIL-STD-883 TM 1019 specification.

The RHFAD128 is RHA QML-V, tested and characterized in full compliance with the MIL-STD-883 specification, between 50 and 300 rad/s only (full CMOS technology).

All provided parameters in [Table 6. Electrical characteristics in single-ended input](#) apply to both pre- and post-irradiation, as follows:

- All tests are performed in accordance with MIL-PRF-38535 and test method 1019 of MIL-STD-883 for total ionizing dose (TID)
- The initial characterization is performed in qualification only on both biased and unbiased parts
- Each wafer lot is tested at high dose rate only, in the worst bias case condition, based on the results obtained during the initial qualification

Heavy-ions:

The behavior of the product when submitted to heavy-ions is not tested in production. Heavy-ion trials are performed on qualification lots only.

Table 8. Radiations

Type	Characteristics	Value	Unit
TID ⁽¹⁾	High dose rate (50 - 300 rad/s) up to	300	krad
Heavy-ions	SEL immune up to (with a particle angle of 60 ° at 125 °C, and a fluence of 1e7 cm-2)	125	MeV.cm ² /mg
	SEL immune up to (with a particle angle of 0 ° at 125 °C, and a fluence of 1e7 cm-2)	62	
	SEU immune up to (at 25 °C, and a fluence of 1e6 cm-2)	32	
	SEFI immune up to (at 25 °C, and a fluence of 1e6 cm-2)	62	

1. Total ionizing dose (TID) of 300 krad(Si) is equivalent to 3000 Gy(Si), (1 gray = 100 rad).

Note:

- *SEL: single event latch-up*
- *SEU: single event upset*
- *SEFI: single event functional interrupt*

1.4 Timing diagrams

Figure 3. Operational timing diagram in single-ended input

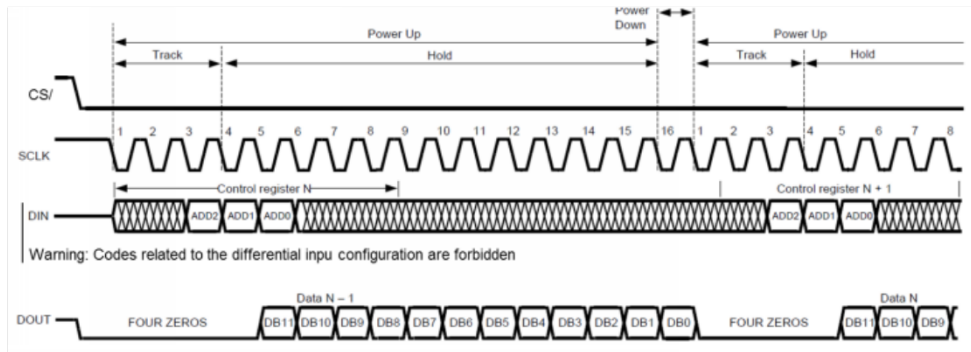


Figure 4. Operational timing diagram in differential input

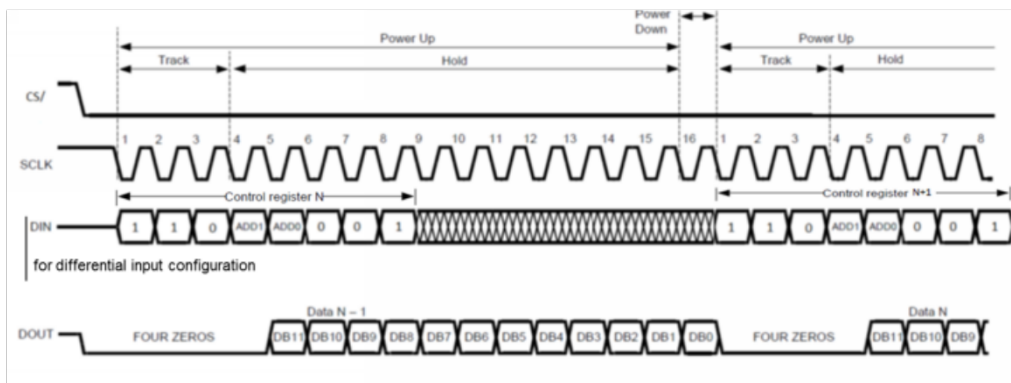


Figure 5. Serial timing diagram

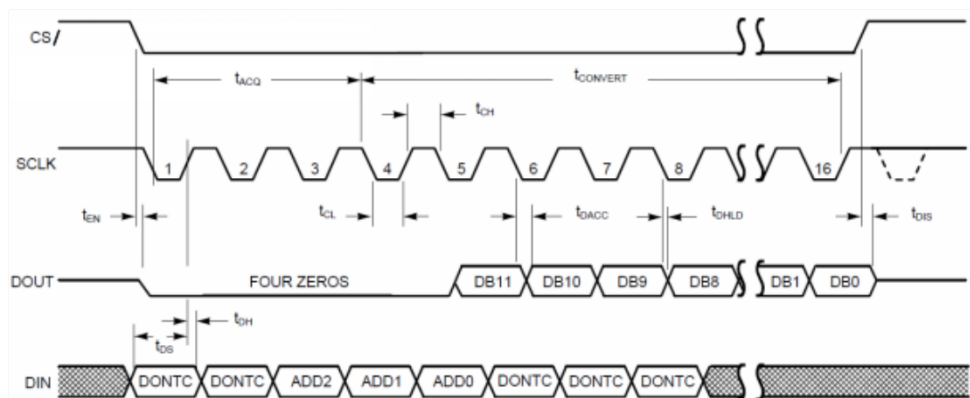
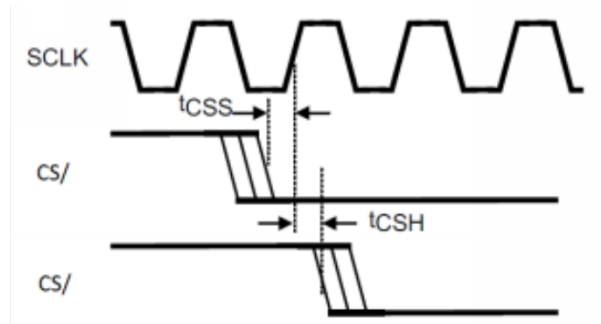
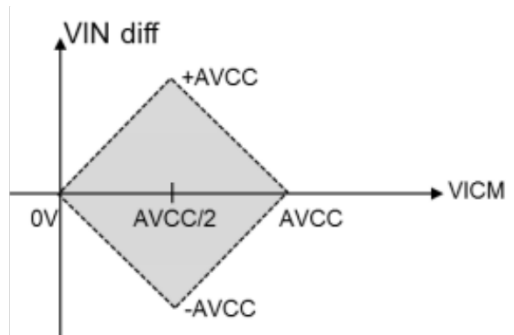


Figure 6. SCLK and CS/ timings



1.5 Differential input

Figure 7. True-differential input range



The maximum differential input swing is limited by the input common mode value (V_{ICM}) and it is limited by the grey area as shown in [Figure 7. True-differential input range](#). The maximum value equals to $\pm AVCC$ for $V_{ICM} = AVCC/2$.

1.6 Definitions

- **Acquisition time** is the time required to acquire the input voltage. During this time, the hold capacitor is charged by the input voltage
- **Aperture delay** is the time between the fourth falling edge of SCLK and the time when the input signal is internally acquired or held for conversion
- **Channel-to-channel isolation** is the residual noise injected on the selected channel by other unselected channels
- **Conversion time** is the time required, after the input voltage is acquired, to convert the input voltage to a digital word
- **Differential non-linearity (DNL)** is the maximum deviation from the ideal step size of 1 LSB
- **Duty cycle** is the ratio, for a periodic digital signal, of the high level duration divided by the total period
- **Effective number of bits (ENOB)** is a method to specify signal-to-noise and distortion or SINAD. ENOB is defined as $(\text{SINAD} - 1.76) / 6.02$ and says that the converter is equivalent to a perfect ADC of this (ENOB) number of bits
- **Full power bandwidth** is a measure of the frequency at which the reconstructed output fundamental drops 3 dB below its low frequency value for a full scale input
- **Full scale error (single-ended input)** is the deviation of the last code transition (111...110) to (111...111) from the ideal (AVCC -1LSB), after adjusting for offset error
- **Positive full scale error (differential input)** is the deviation of the last code transition (111...110) to (111...111) from the ideal (AVCC -1LSB), after adjusting for offset error
- **Negative full scale error (differential input)** is the deviation of the last code transition (111...110) to (111...111) from the ideal (-AVCC +1LSB), after adjusting for offset error
- **Integral non-linearity (INL)** is the deviation of each individual code from a line drawn from negative full scale ($\frac{1}{2}$ LSB below the first code transition) through positive full scale ($\frac{1}{2}$ LSB above the last code transition). The deviation of any given code from this straight line is measured from the center of that code value
- **Intermodulation distortion (IMD)** is the result of the product of two pure sine waves at frequency f_a and f_b applied to the ADC input. To avoid clipping when the sine waves are in phase, the level must be just below -6 dBFS. Assuming that the level of the two tones is equal, IMD2 is the difference in dBc between level (f_a or f_b) and level($f_a \pm f_b$). IMD3 is the difference in dBc between level (f_a or f_b) and level ($2f_a \pm f_b$) or level ($f_a \pm 2f_b$)
- **Missing codes** are those output codes that never appear on the ADC outputs. The RHFAD128 is guaranteed not to have any missing codes
- **Offset error (single-ended input)** is the deviation of the first code transition (000...000) to (000...001) from the ideal (i.e. GND +1 LSB)
- **Signal-to-noise ratio (SNR)** is the ratio, expressed in dB, of the RMS value of the fundamental of input signal to the RMS value of the sum of all other spectral components below one-half the sampling frequency, not including harmonics or DC-component
- **Signal-to-noise plus distortion (S/N+D or SINAD)** is the ratio of the RMS value of the fundamental of input signal to the RMS value of all of the other spectral components below half the sampling frequency, including harmonics but excluding DC-component
- **Spurious free dynamic range (SFDR)** is the difference, expressed in dB, between the desired signal amplitude of fundamental to the amplitude of the peak spurious spectral component, where a spurious spectral component is any signal present in the output spectrum that is not present on the input and may or may not be a harmonic
- **Total harmonic distortion (THD)** is the ratio, expressed in dBc, of the RMS total of the first nine harmonic components on the output to the RMS level of fundamental of the input signal frequency as seen on the output. THD is calculated as $\text{THD} = 20 \log_{10} [\sqrt{(Af_2^2 + \dots + Af_{10}^2) / Af_1^2}]$ where Af_1 is the RMS power of the fundamental on the output and Af_2 to Af_{10} are the RMS power in the first nine harmonic frequencies
- **Throughput time** is the minimum time required between the start of two successive conversions. It is the acquisition time plus the conversion time

1.7 PCB layout precautions

- A ground plane on each layer of the PCB with multiple vias dedicated to interconnection is recommended for high speed circuit applications to provide low parasitic inductance and resistance. The goal is to have a “common ground plane” where AGND and DGND are connected with the lowest DC resistance and lowest AC impedance
- The separation of the analog signal from the digital output is mandatory to prevent noise from coupling onto the input signal
- Power supply bypass capacitors must be placed as close as possible to the IC pins to improve high frequency bypassing and reduce harmonic distortion
- All leads must be as short as possible, especially for the analog input, so to decrease parasitic capacitance and inductance
- To minimize the transition current when the output changes, the capacitive load at the digital outputs must be reduced as much as possible by using the shortest possible routing tracks
- Choose the smallest possible component sizes (SMD)

2 Package information

In order to meet environmental requirements, ST offers these devices in different grades of ECOPACK® packages, depending on their level of environmental compliance. ECOPACK® specifications, grade definitions and product status are available at: www.st.com. ECOPACK® is an ST trademark.

2.1 Flat-16 package information

The upper metallic lid is electrically connected to AGND and DGND.

Figure 8. Flat-16 package information outline

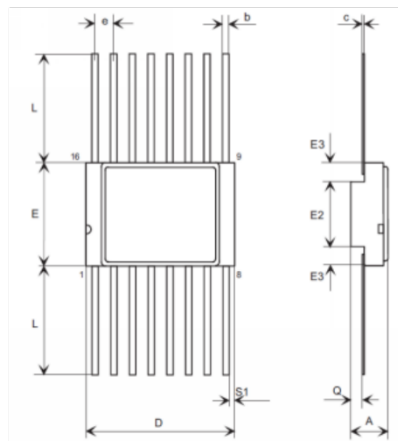


Table 9. Flat-16 package mechanical data

Ref.	mm			Inch		
	Min.	Typ.	Max.	Min.	Typ.	Max.
A	2.31		2.72	0.091		0.107
b	0.38		0.48	0.015		0.019
c	0.10		0.18	0.004		0.007
D	9.75		10.13	0.384		0.399
E	6.75		7.06	0.266		0.278
E2		4.32			0.170	
E3	0.76			0.030		
e		1.27			0.050	
L	6.35		7.36	0.250		0.290
Q	0.66		1.14	0.026		0.045
S1	0.13			0.005		

3 Ordering information

Table 10. Order code

Order code	SMD ⁽¹⁾	Quality level	Temp. range	Mass	Package	Marking ⁽²⁾	Packing
RH-AD128KX	-	Prototype	-55 °C to +125 °C	0.65 g	Flat-16	RH-AD128KX	Strip pack
RH-AD128K1	-	Engineering model				RH-AD128K1	
RHFAD128K01V	5962F18204	QML-V Flight				5962F1820401VXC	

1. Standard microcircuit drawing.
2.
 - Specific marking only. Complete marking includes the following:
 - ST logo
 - Date code (date the package was sealed) in YYWWA (year, week, and lot index of week)
 - Country of origin (FR = France).

4 Other information

Date code:

The date code is structured as follows:

Engineering model: EM xyywwz

where:

x = 3 (EM only), assembly location Rennes (France)

yy = last two digits of the year

ww = week digits

z = lot index of the week

Product documentation

Each product shipment includes a set of associated documentation within the shipment box. This documentation depends on the quality level of the products, as detailed in the table below.

The certificate of conformance is provided on paper whatever the quality level. For QML parts, complete documentation, including the certificate of conformance, is provided on a CDROM.

Note: Please, contact ST for details on the documentation of other quality levels

Table 11. Product documentation

Quality level	Item
Engineering model	Certificate of conformance including : Customer name Customer purchase order number ST sales order number and item ST part number Quantity delivered Date code Reference to ST datasheet Reference to the TN1181 on engineering models ST Rennes assembly lot ID

Quality level	Item
QML-V Flight	Certificate of conformance including
	Customer name
	Customer purchase order number
	ST sales order number and item
	ST part number
	Quantity delivered
	Date code
	Serial numbers
	Group C reference
	Group D reference
	Reference to the applicable SMD
	ST Rennes assembly lot ID
	Quality control inspection (groups A, B, C, D, E)
	Screening electrical data in/out summary
Pre-cap report	
PIND (particle impact noise detection) test	
SEM (scanning electronic microscope) inspection report	
X-ray plates	

Revision history

Table 12. Document revision history

Date	Revision	Changes
12-Mar-2018	1	Initial version.
06-Sep-2018	2	Updated , Section Features and the Section Description in cover page. Updated Section 1 Functional description , Table 4. Absolute maximum ratings , Table 6. Electrical characteristics in single-ended input and Table 7. Electrical characteristics in differential input , Table 8. Radiations and Table 10. Order code .

Contents

1	Functional description	2
1.1	Maximum ratings and operating conditions	4
1.2	Electrical characteristics	5
1.3	Radiations	8
1.4	Timing diagrams	9
1.5	Differential input	11
1.6	Definitions	12
1.7	PCB layout precautions	13
2	Package information	14
2.1	Flat-16 package information	14
3	Ordering information	15
4	Other information	16
	Revision history	18

List of tables

Table 1.	Control register bits	2
Table 2.	Single input channel description	3
Table 3.	Differential input channel description	3
Table 4.	Absolute maximum ratings	4
Table 5.	Operating conditions	4
Table 6.	Electrical characteristics in single-ended input	5
Table 7.	Electrical characteristics in differential input	7
Table 8.	Radiations	8
Table 9.	Flat-16 package mechanical data	14
Table 10.	Order code	15
Table 11.	Product documentation	16
Table 12.	Document revision history	18

List of figures

Figure 1.	Pin description	2
Figure 2.	Block diagram	2
Figure 3.	Operational timing diagram in single-ended input	9
Figure 4.	Operational timing diagram in differential input	9
Figure 5.	Serial timing diagram.	9
Figure 6.	SCLK and CS/ timings	10
Figure 7.	True-differential input range	11
Figure 8.	Flat-16 package information outline	14

IMPORTANT NOTICE – PLEASE READ CAREFULLY

STMicroelectronics NV and its subsidiaries (“ST”) reserve the right to make changes, corrections, enhancements, modifications, and improvements to ST products and/or to this document at any time without notice. Purchasers should obtain the latest relevant information on ST products before placing orders. ST products are sold pursuant to ST’s terms and conditions of sale in place at the time of order acknowledgement.

Purchasers are solely responsible for the choice, selection, and use of ST products and ST assumes no liability for application assistance or the design of Purchasers’ products.

No license, express or implied, to any intellectual property right is granted by ST herein.

Resale of ST products with provisions different from the information set forth herein shall void any warranty granted by ST for such product.

ST and the ST logo are trademarks of ST. All other product or service names are the property of their respective owners.

Information in this document supersedes and replaces information previously supplied in any prior versions of this document.

© 2018 STMicroelectronics – All rights reserved