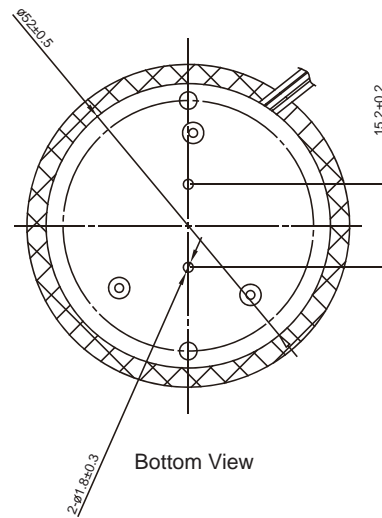
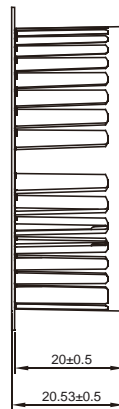
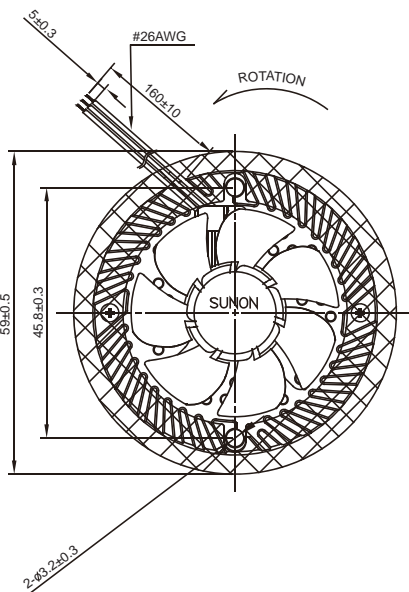


## 15W LED A19 Active Cooling Module

Optimal Sound Quality  
 Prolong LED lighting's overall service life  
 High Reliability



Specification	
Model No.	TA001-09012
Module Dimension (mm)	φ 59 x 20.53
Weight (g)	48.0
Thermal Resistance (°C / Watts)	1.2
Cooling Module Noise @1M, dB(A)	16.8
Rated Voltage (V)	5
Power Consumption (W)	0.21
Fan Speed (with Heat Sink), (RPM)	3800
Heat Sink Material	ADC12
Safety	UL / CUR / TUV / CE



UNIT: mm