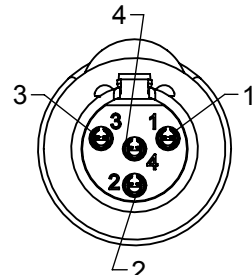
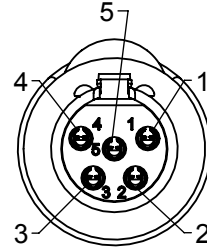


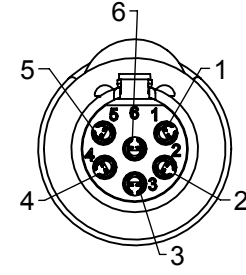
**TA3FS SERIES**  
3 PIN



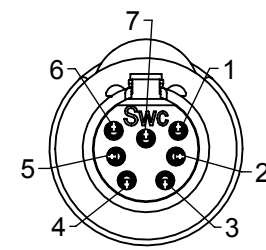
**TA4FS SERIES**  
4 PIN



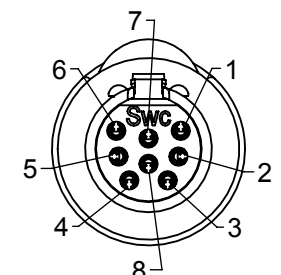
**TA5FS SERIES**  
5 PIN



**TA6FS SERIES**  
6 PIN

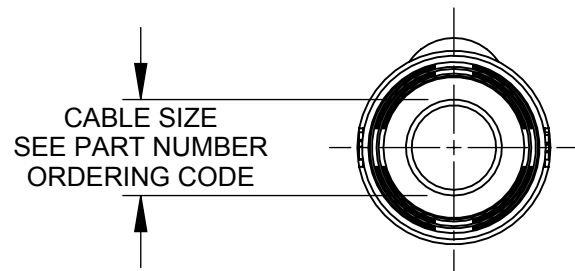
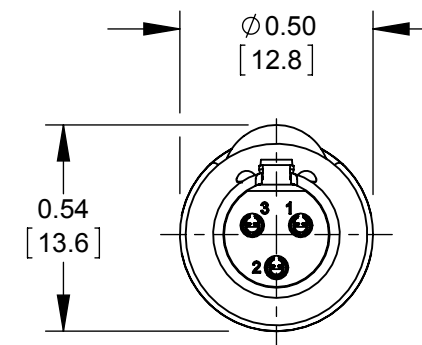
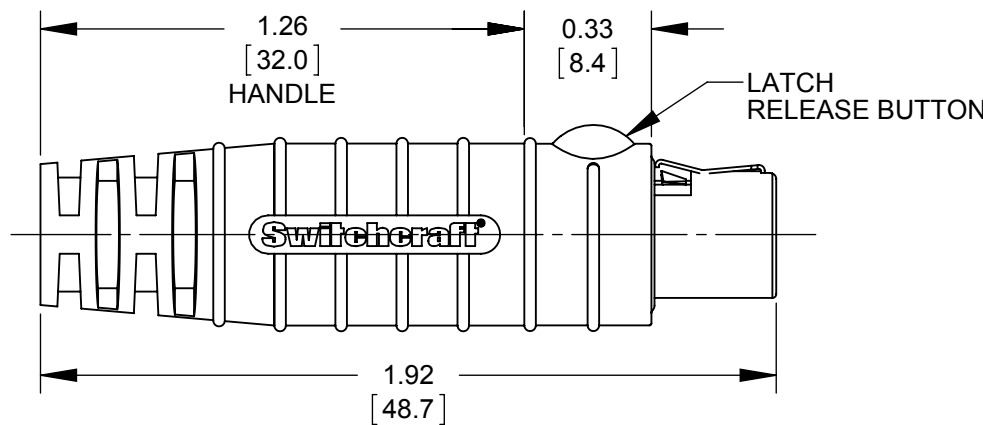
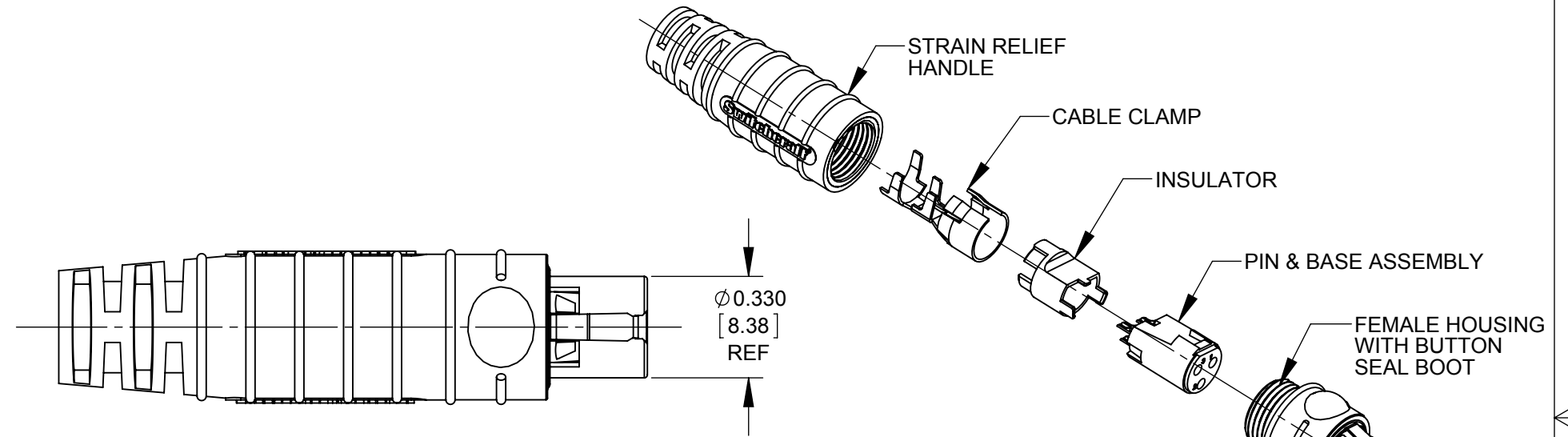
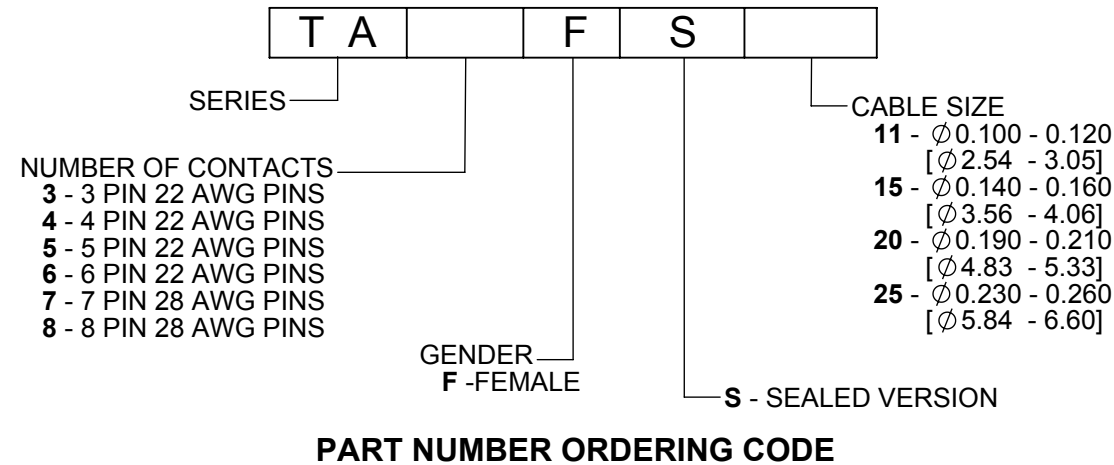


**TA7FS SERIES**  
7 PIN



**TA8FS SERIES**  
8 PIN

AS VIEWED FROM FRONT MATING SIDE



**TA3FS SHOWN**

**CUSTOMER DRAWING**

**NOTES:**

**1. MATERIALS:**

- HOUSING - COPPER ALLOY, NICKEL PLATED
- PIN CONTACTS - COPPER ALLOY, SILVER PLATED
- LATCH BUTTON - RIGID THERMOPLASTIC, BLACK
- PIN INSULATOR - RIGID THERMOPLASTIC, DARK BROWN
- LATCH SPRING - COPPER ALLOY, NICKEL PLATED
- CABLE CLAMP - STEEL, TIN PLATED
- BUTTON SEAL BOOT - THERMOPLASTIC RUBBER, BLACK
- INSERT MOLDED HANDLE - THERMOPLASTIC RUBBER OVER RIGID THERMOPLASTIC, BLACK

**2. THIS PRODUCT IS RoHS COMPLIANT.**

					THIS DRAWING DESCRIBES A DESIGN CONSIDERED PROPRIETARY IN NATURE, DEVELOPED AND MANUFACTURED BY SWITCHCRAFT INC. AND IS RELEASED ON A CONFIDENTIAL BASIS FOR IDENTIFICATION PURPOSES ONLY.					
UNLESS OTHERWISE SPECIFIED					SIZE	WIDTH	MULT	LBS/M	TEMPER	
1. ALL DIMENSIONS IN INCHES [mm]					FINISH				MATERIAL	
- TWO PLACE DECIMALS ±0.02 [0.5]					SPEC No.				SPEC No.	
- THREE PLACE DECIMALS ±0.005 [0.13]					FIRST USED ON		SCALE 2:1			
B	27629	12-18-15	TO	TJK	DATE DRAWN	BY	CHKD	APVD	<b>Switchcraft®</b>	
A	27552	8-14-15	TO	TJK	1/29/13	AB	AB	TJK		
REV	ECO NUMBER	DATE	BY	APVD	NAME				SHEET 1 OF 1	
REVISIONS					DO NOT SCALE DRAWING				PART No.	REV
					SEALED TINI Q-G FEMALE, ROHS				TA_FS SERIES	B