

THIS DRAWING IS UNPUBLISHED. RELEASED FOR PUBLICATION

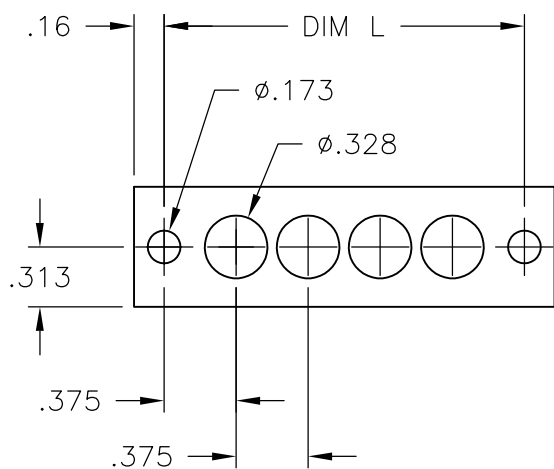
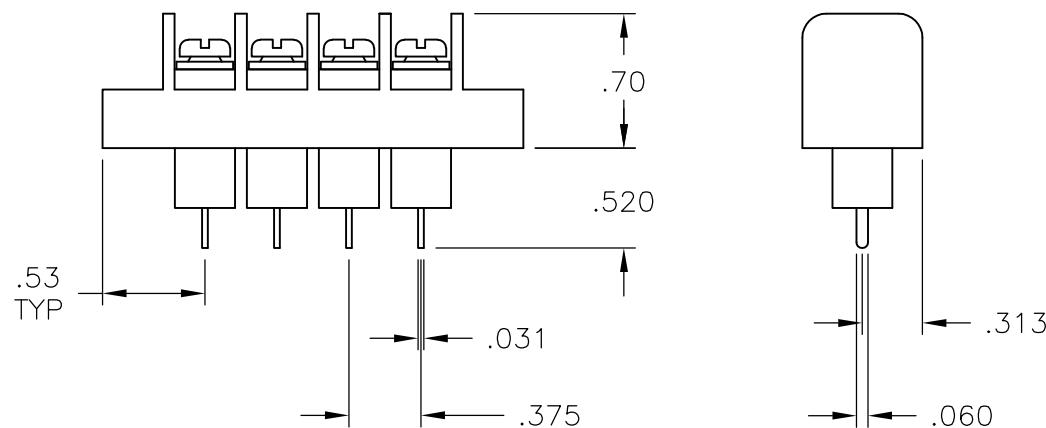
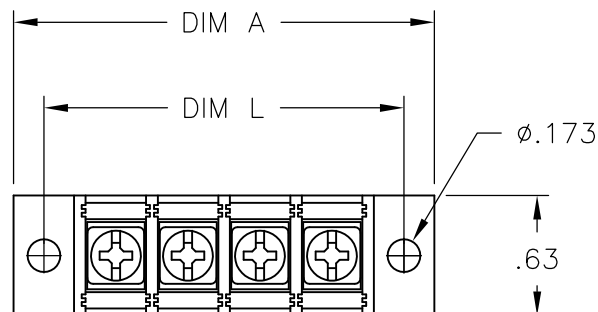
© COPYRIGHT BY TYCO ELECTRONICS CORPORATION. ALL INTERNATIONAL RIGHTS RESERVED.

LOC FT	DIST 0	REVISIONS			
P	LTR	DESCRIPTION	DATE	DWN	APVD
	B	REVISED PER ECO-10-013617	26JUL10	HMR	CR

**MATERIAL:**  
 HOUSING: THERMOPLASTIC, UL94V-0, BLACK.  
 TERMINALS: BRIGHT TIN OVER COPPER ALLOY.  
 SCREWS: 6-32, STEEL, ZINC PLATING W/ CLEAR CHROMATE.

**ELECTRICAL:**  
 UL/CSA  
 CLASS C: 20A, 300V.  
 CLASS D: 5A, 600V.  
 WIRE RANGE: 12-22 AWG.

**MECHANICAL:**  
 RECOMMENDED TORQUE: 7 IN-LB.  
 OPERATING TEMP.: 105°C MAX.



MOUNTING PANEL LAYOUT

9.000	9.314	23	JC6-E308-23	2-1546725-3
8.625	8.939	22	JC6-E308-22	2-1546725-2
8.250	8.564	21	JC6-E308-21	2-1546725-1
7.875	8.189	20	JC6-E308-20	2-1546725-0
7.500	7.814	19	JC6-E308-19	1-1546725-9
7.125	7.439	18	JC6-E308-18	1-1546725-8
6.750	7.064	17	JC6-E308-17	1-1546725-7
6.375	6.689	16	JC6-E308-16	1-1546725-6
6.000	6.314	15	JC6-E308-15	1-1546725-5
5.625	5.939	14	JC6-E308-14	1-1546725-4
5.250	5.564	13	JC6-E308-13	1-1546725-3
4.875	5.189	12	JC6-E308-12	1-1546725-2
4.500	4.814	11	JC6-E308-11	1-1546725-1
4.125	4.439	10	JC6-E308-10	1-1546725-0
3.750	4.064	9	JC6-E308-09	1546725-9
3.375	3.689	8	JC6-E308-08	1546725-8
3.000	3.314	7	JC6-E308-07	1546725-7
2.625	2.939	6	JC6-E308-06	1546725-6
2.250	2.564	5	JC6-E308-05	1546725-5
1.875	2.189	4	JC6-E308-04	1546725-4
1.500	1.814	3	JC6-E308-03	1546725-3
1.125	1.439	2	JC6-E308-02	1546725-2
DIM. L	DIM. A	NO. OF POS.	CATALOG NUMBER	PART NO.

THIS DRAWING IS A CONTROLLED DOCUMENT.		DWN S. SCHLEGEL 3/10/05	Tyco Electronics Corporation Harrisburg, PA 17105-3608	
DIMENSIONS: INCHES		CHK S. YODER 3/10/05	NAME	
TOLERANCES UNLESS OTHERWISE SPECIFIED:		APVD S. YODER 3/10/05	JC6-E308-XX ASSEMBLY	
0 PLC ± -		PRODUCT SPEC	SIZE	CAGE CODE
1 PLC ± -		APPLICATION SPEC	A3	00779
2 PLC ± .01		WEIGHT	DRAWING NO	
3 PLC ± .005		CUSTOMER DRAWING	C-1546725	
4 PLC ± -		SCALE	NTS	SHEET
ANGLES ± -		RESTRICTED TO	1 OF 1	
FINISH		REV	B	

# Mouser Electronics

Authorized Distributor

Click to View Pricing, Inventory, Delivery & Lifecycle Information:

[TE Connectivity:](#)

[1-1546725-5](#)