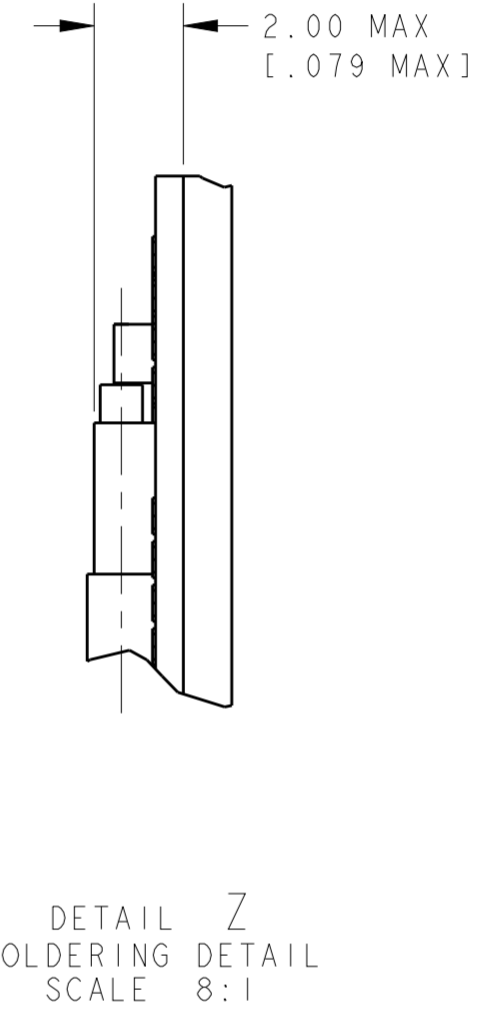
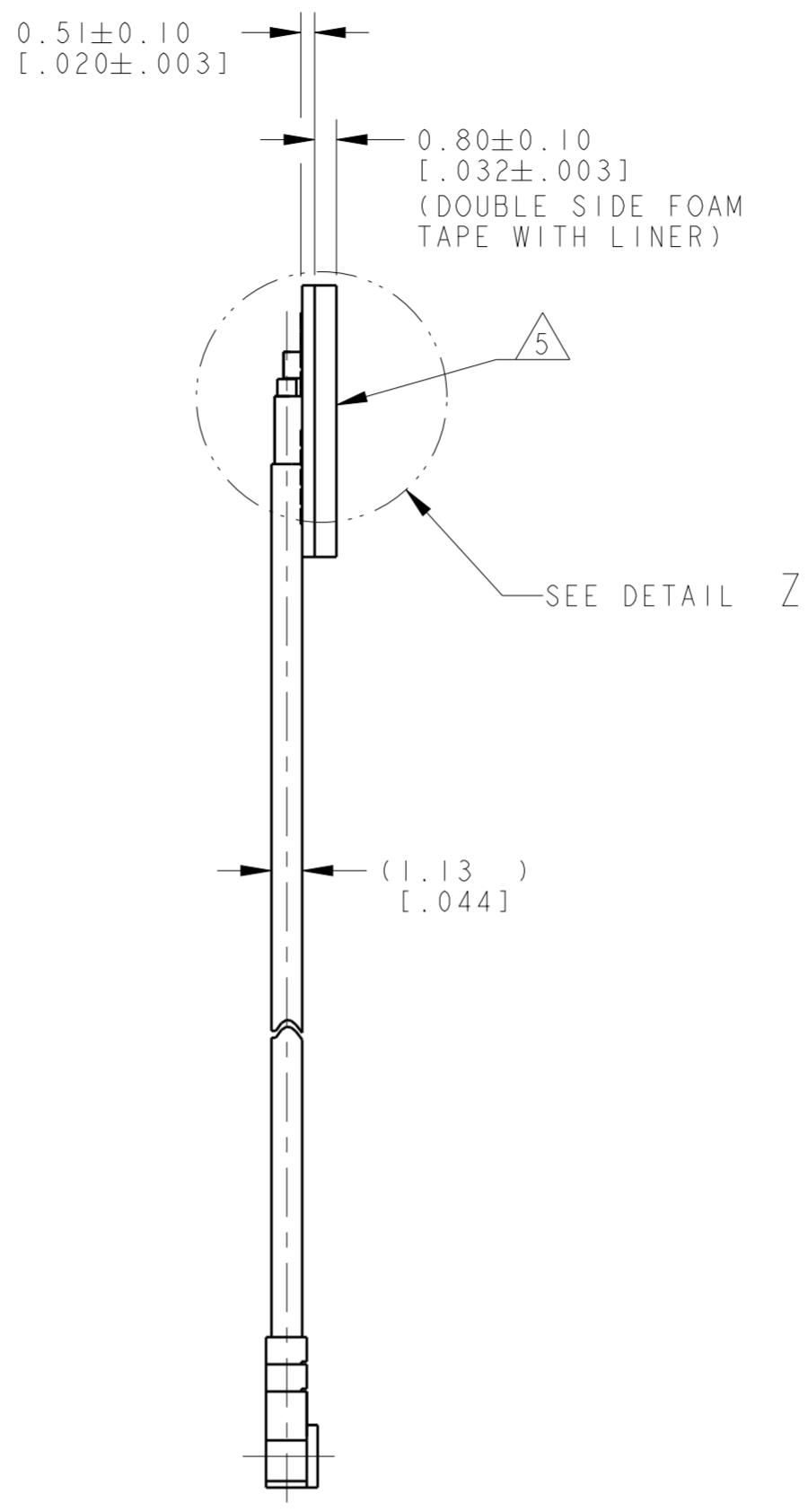
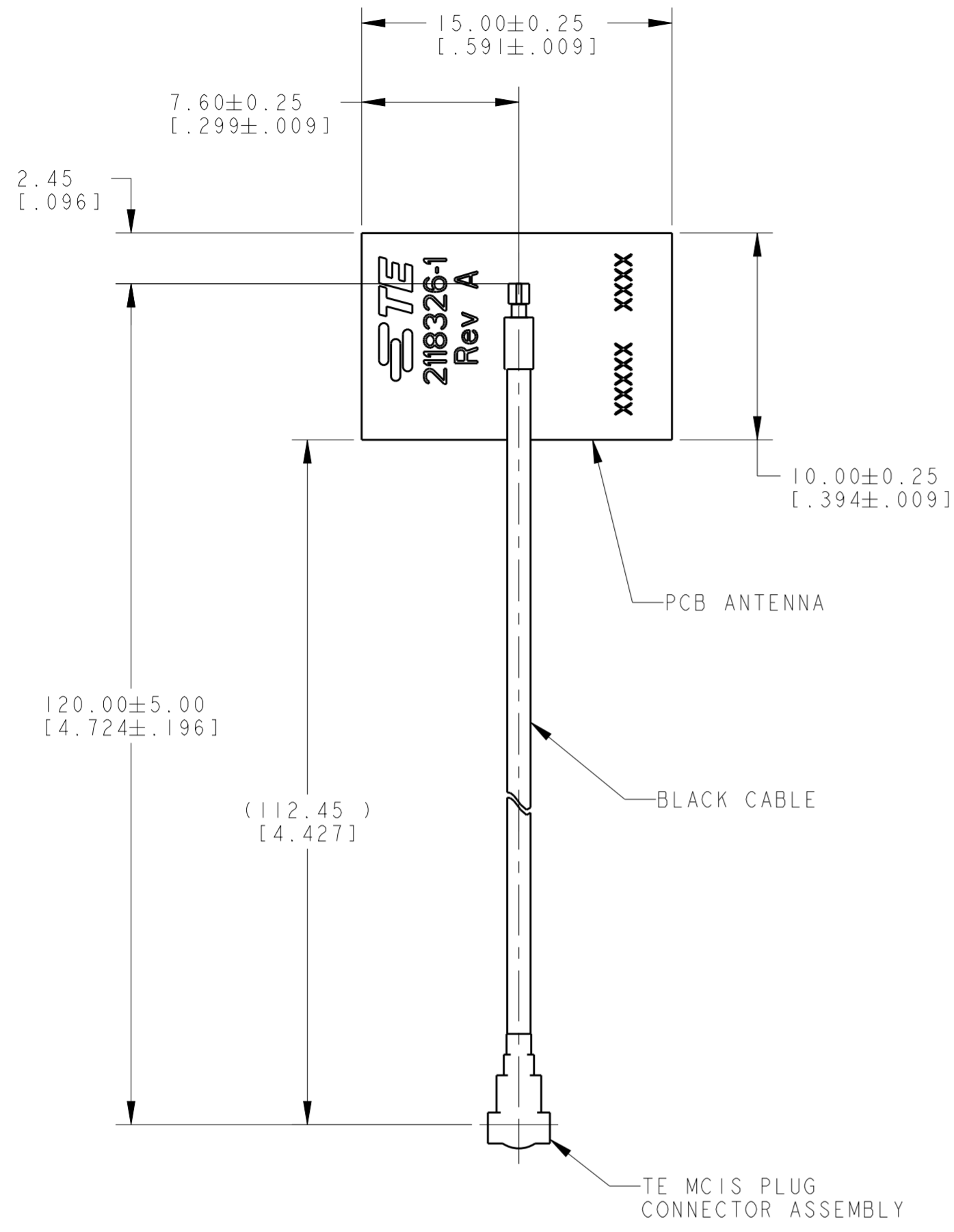


THIS DRAWING IS UNPUBLISHED. RELEASED FOR PUBLICATION 20
 © COPYRIGHT 20 BY TYCO ELECTRONICS CORPORATION ALL RIGHTS RESERVED.

LOC	DIST	REVISIONS			
P	LTR	DESCRIPTION	DATE	DWN	APVD
AJ	00	A	RELEASED.	11DEC2013	KF JPS



2118326-1 SHOWN

- ASSEMBLY IS RoHS COMPLIANT.
- MINIMUM IDENTIFICATION INCLUDES:
 TOP LAYER: TE LOGO, TE ASSEMBLY PART NUMBER, ASSEMBLY REVISION LETTER, AND FOUR DIGIT DATE CODE (FIRST 2 DIGITS FOR THE WEEK CODE AND THE 2ND TWO DIGITS FOR THE YEAR CODE).
- MATERIALS: PCB MATERIAL
 TOTAL THICKNESS: 0.51 [.020], SINGLE SIDE, 1/2 OUNCE COPPER.
- OVERPLATING: PLATING ON EXPOSED COPPER AREAS TO BE E.N.I.G. FINISH.
- REMOVE LINER FROM DOUBLE SIDED FOAM TAPE 3M VHB RP32 TO APPLY ANTENNA IN APPLICATION.
- CONSULT TE CONNECTIVITY DATA SHEET DS2118326.
- PRODUCT PACKAGED IN A BAG.

2118326-1
 PART NUMBER

THIS DRAWING IS A CONTROLLED DOCUMENT.		DWN K. FOLTZ 07MAR2013	TE Connectivity	
DIMENSIONS: mm [INCHES]		CHK G. GRIFFITH 07MAR2013		
TOLERANCES UNLESS OTHERWISE SPECIFIED:		APVD G. GRIFFITH 07MAR2013	NAME SINGLE BAND, 5 GHz PIFA ANTENNA	
0 PLC ± 1 PLC ± 2 PLC ± 3 PLC ± 4 PLC ± ANGLES ± FINISH		PRODUCT SPEC -	SIZE A2	CAGE CODE 00779
MATERIAL -		APPLICATION SPEC -	DRAWING NO C-2118326	RESTRICTED TO -
-		WEIGHT -	SCALE 4:1 SHEET 1 OF 1 REV A	
-		CUSTOMER DRAWING		