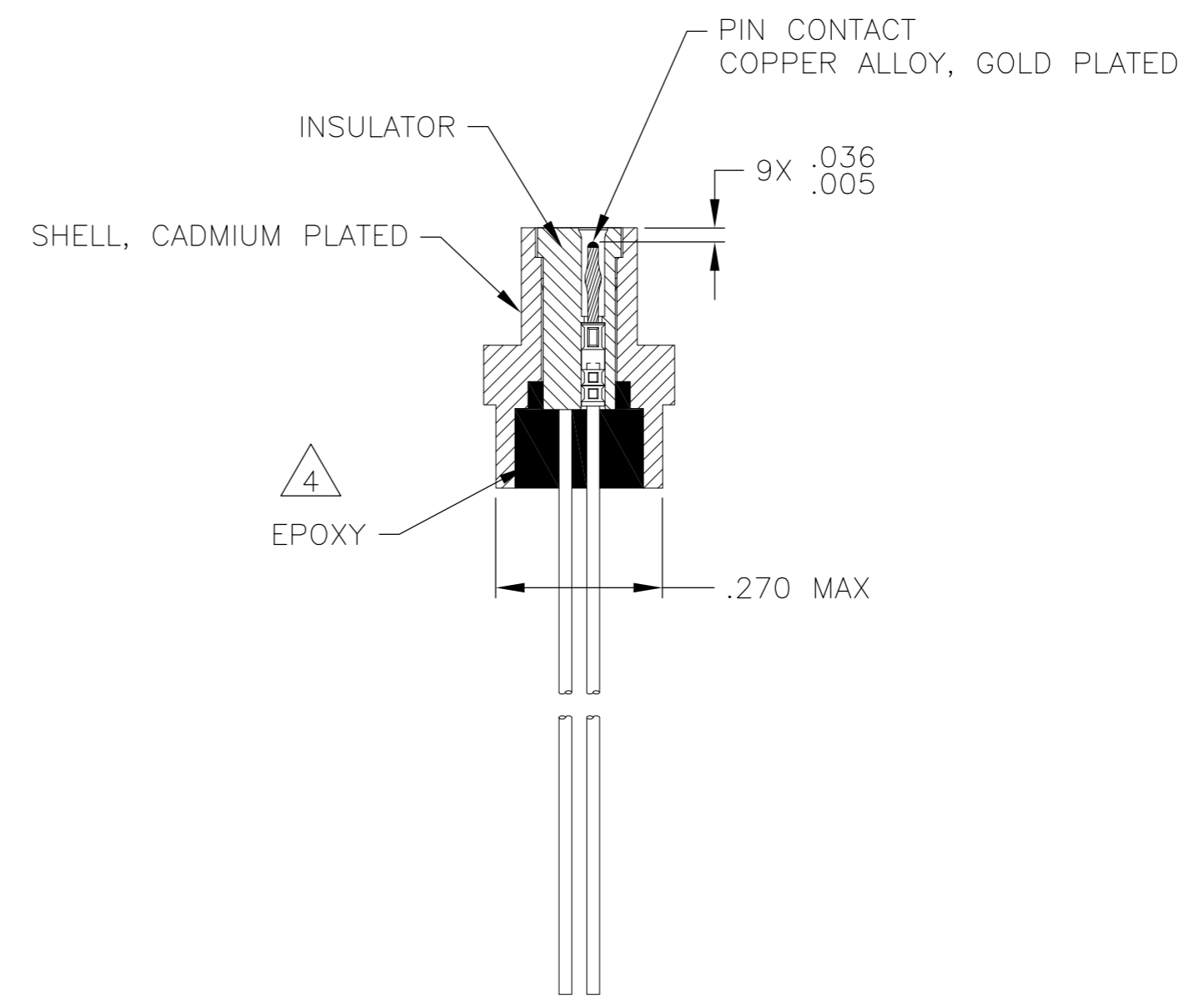
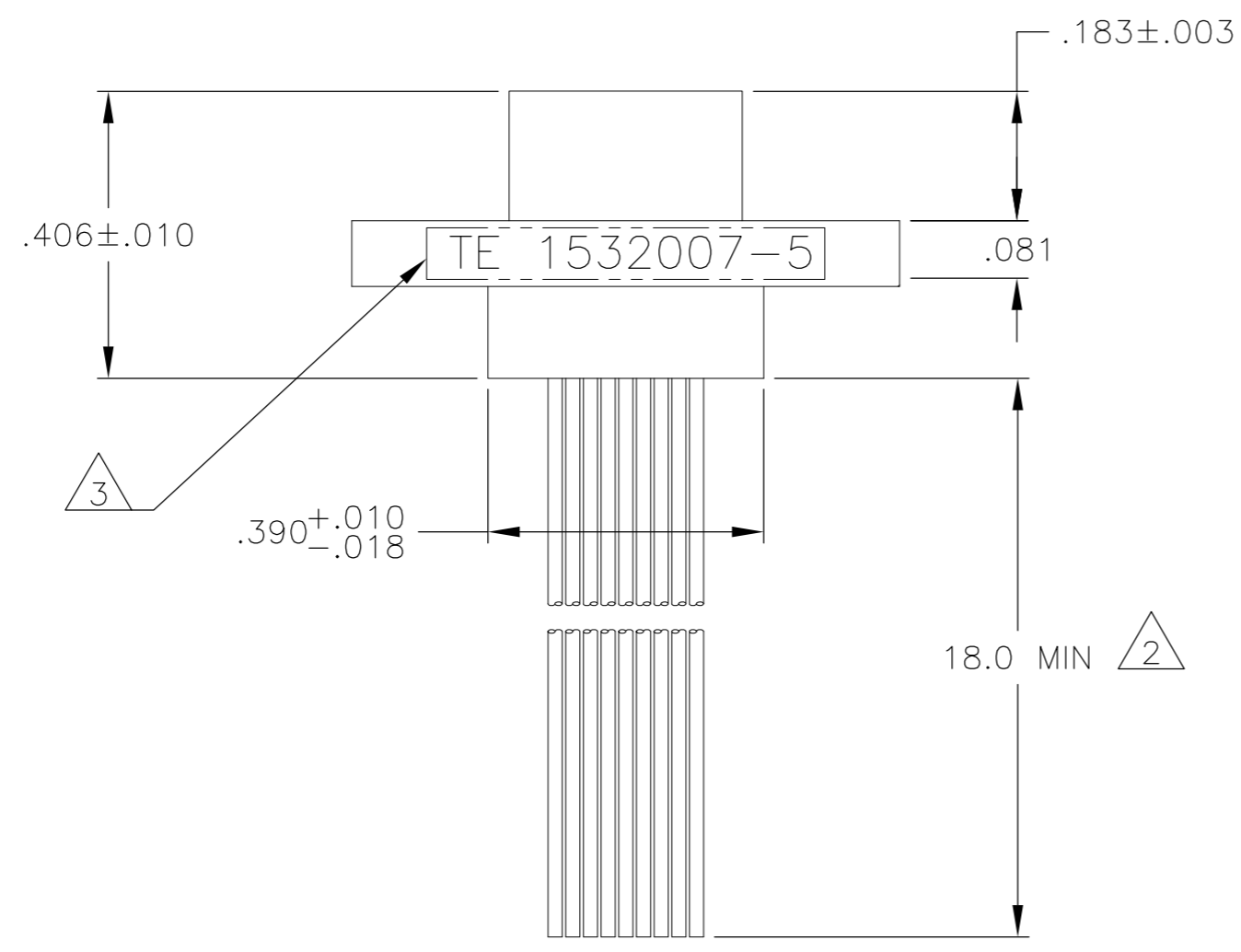
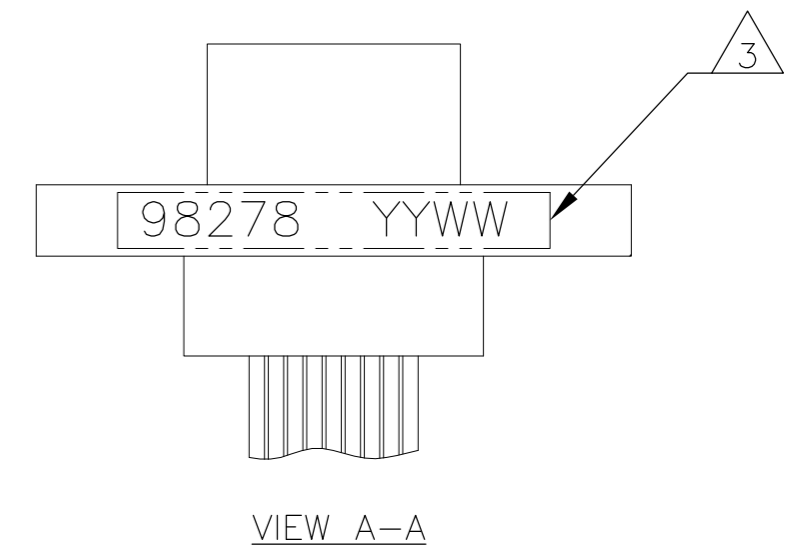
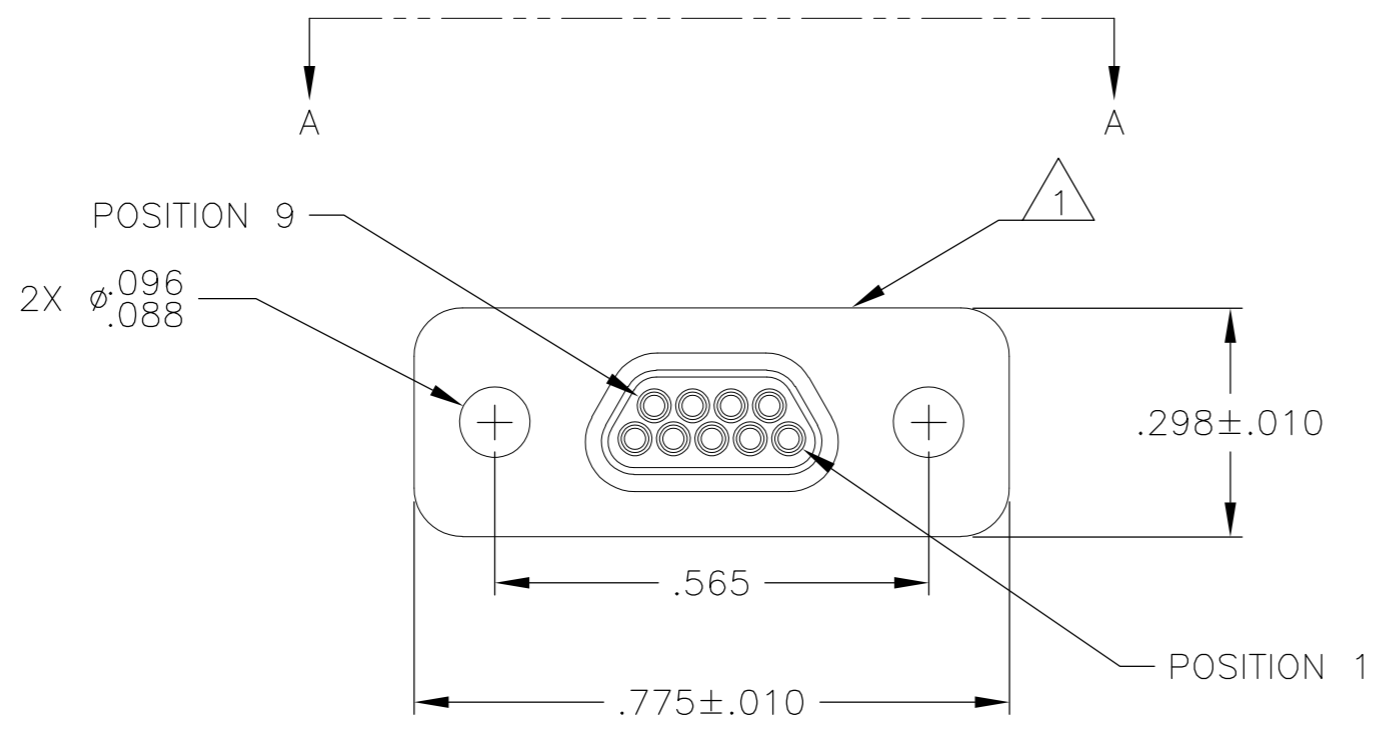


THIS DRAWING IS UNPUBLISHED. RELEASED FOR PUBLICATION  
 © COPYRIGHT - By - ALL RIGHTS RESERVED.

LOC		DIST		REVISIONS			
P	LTR	DESCRIPTION		DATE	DWN	APVD	
	E	UPDATE PER ECO-14-000182		6 JAN 14	GS	CAS	



- 1 SHELL MATERIAL: 6061-T6 ALUMINUM, CADMIUM PLATE PER SAE-AMS-QQ-P-416.
- 2 INSULATOR MATERIAL: RYTON, POLYPHENYLENE SULFIDE (PPS), COLOR BLACK, PER ASTM D406
- 3 THIS CONFIGURATION TO BE TERMINATED WITH 26AWG, 7/34 COLOR CODED PER MEP 217-00, CODE 00.
- 4 MARK PER MEP203-12, CODES B, C, D AND E AS SHOWN
- 5 EPOXY ENCAPSULATION. EPOXY MAY WICK .125 INCH MAX

THIS DRAWING IS A CONTROLLED DOCUMENT.		DWN	23 FEB 94	
DIMENSIONS: INCHES		CHK	CAMPOS	
TOLERANCES UNLESS OTHERWISE SPECIFIED:		APVD	-	
0 PLC ± -		PRODUCT SPEC	-	
1 PLC ± -		APPLICATION SPEC	-	
2 PLC ± .005		WEIGHT	-	
3 PLC ± .010		CUSTOMER DRAWING	SCALE 3:1 SHEET 1 OF 1 REV E	
4 PLC ± -		MATERIAL SEE NOTES FINISH SEE NOTES		
ANGLES ± 2°		NAME: FLYING LEAD ASSEMBLY, PLUG, SIZE 9, MCK-C2-B-9P6A7-18.0, MDC P/N 094-0105-0015 SIZE: A2 CAGE CODE: 98278 DRAWING NO: 1532007-5 RESTRICTED TO: -		