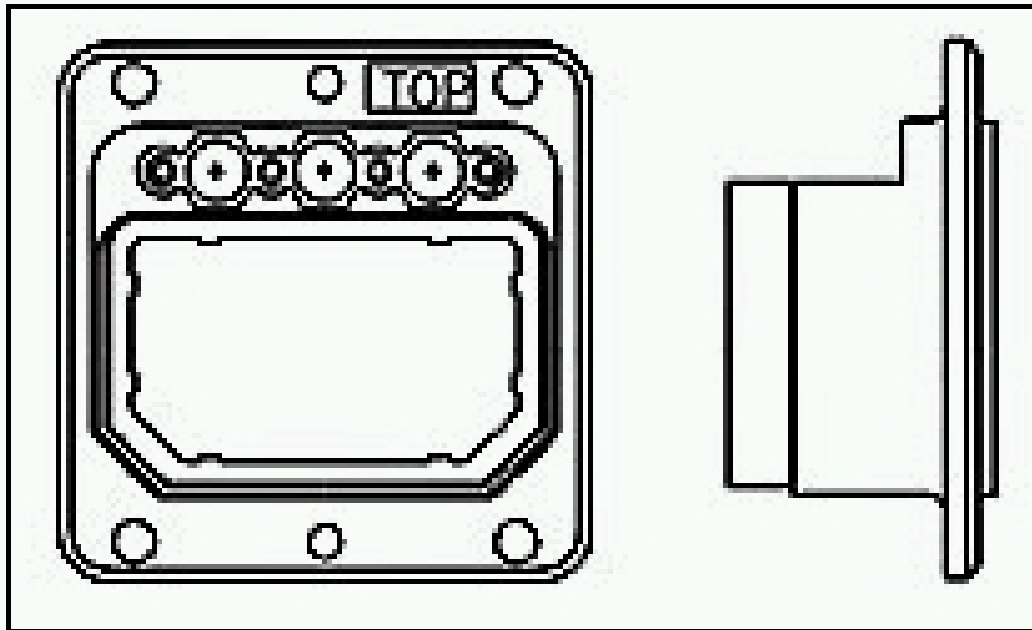


## 1218656-1 Product Details

[Live Product Chat](#)



### 1218656-1

TE Part Number: 1218656-1

[Active](#)

[Add to Part List](#)

### ARINC 404 Connectors

[Not EU RoHS or ELV Compliant](#)

#### Product Highlights:

- Sealed
- Seal Type = Interface seal on pin insert
- Shell Size = 1 Insert
- Shell Configuration = Receptacle
- Contact Arrangement (Module A) = 67

[View all Features](#) | [Find Similar Products](#)

### Quick Links

- ▶ [Check Pricing & Availability](#)
- ▶ [Search for Tooling](#)
- ▶ [Product Feature Selector](#)
- ▶ [Contact Us About This Product](#)

### Documentation & Additional Information

#### Product Drawings:

- [RECEPTACLE ASSY,ARINC 404 RM1R67P-1848 SPECIAL \(PDF, English\)](#)

#### Catalog Pages/Data Sheets:

- None Available

#### Product Specifications:

- None Available

#### Application Specifications:

- None Available

#### Instruction Sheets:

- None Available

#### CAD Files:

- None Available

#### Additional Information:

- [Product Line Information](#)

#### Related Products:

- [Tooling](#)

[List all Documents](#)

### Product Features (Please use the Product Drawing for all design activity)

#### Product Type Features:

- [Sealed](#) = Yes
- [Shell Size](#) = 1 Insert
- Shell Finish = Cadmium plated per QQ-P-416 with yellow chromate conversion.
- Comment = Coaxial contacts must be ordered separately; Assembly selectively loaded with posted contacts.

#### Mechanical Attachment:

- [Keying](#) = 48

#### Electrical Characteristics:

- Shell Configuration = Receptacle
- Signal Contacts = With
- [Shell Mounting Modification](#) = 18
- [Custom Order Code](#) = 200

#### Termination Related Features:

- Seal Type = Interface seal on pin insert

#### Contact Related Features:

- Contact Type (Module A) = Pin

#### Configuration Related Features:

- [Contact Arrangement \(Module A\)](#) = 67

#### Industry Standards:

- Government/Industry Qualification = No
- [RoHS/ELV Compliance](#) = Not ELV/RoHS compliant
- [Lead Free Solder Processes](#) = Wave solder capable to 240°C, Wave solder capable to 260°C, Wave solder capable to 265°C

#### Other:

- Brand = AMP

[Provide Website Feedback](#) | [Need Help?](#)