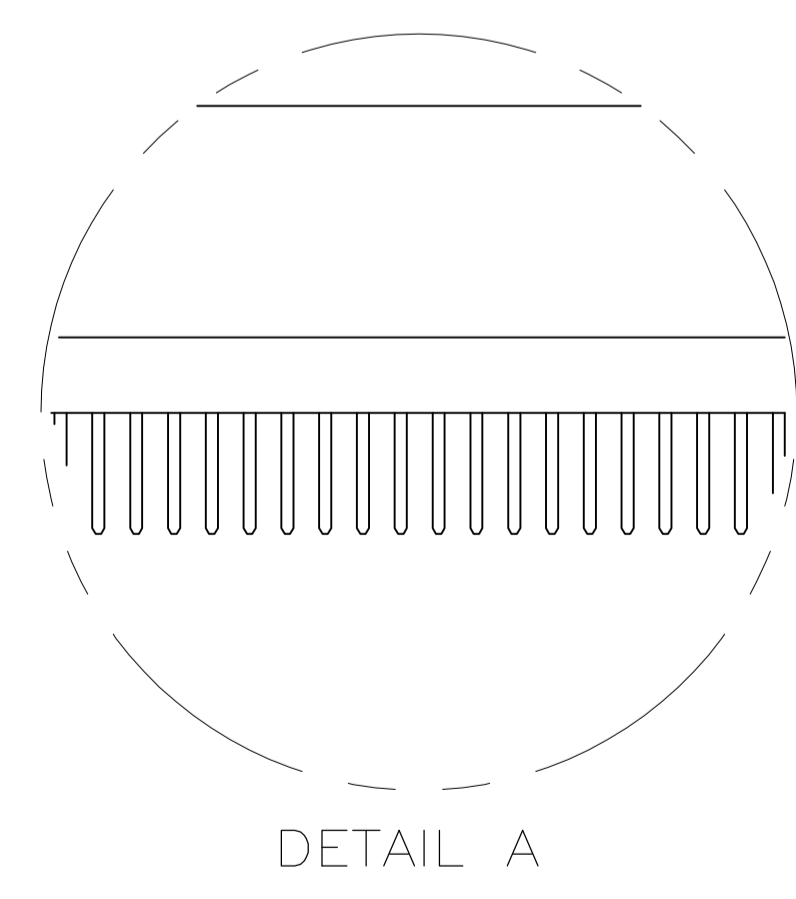
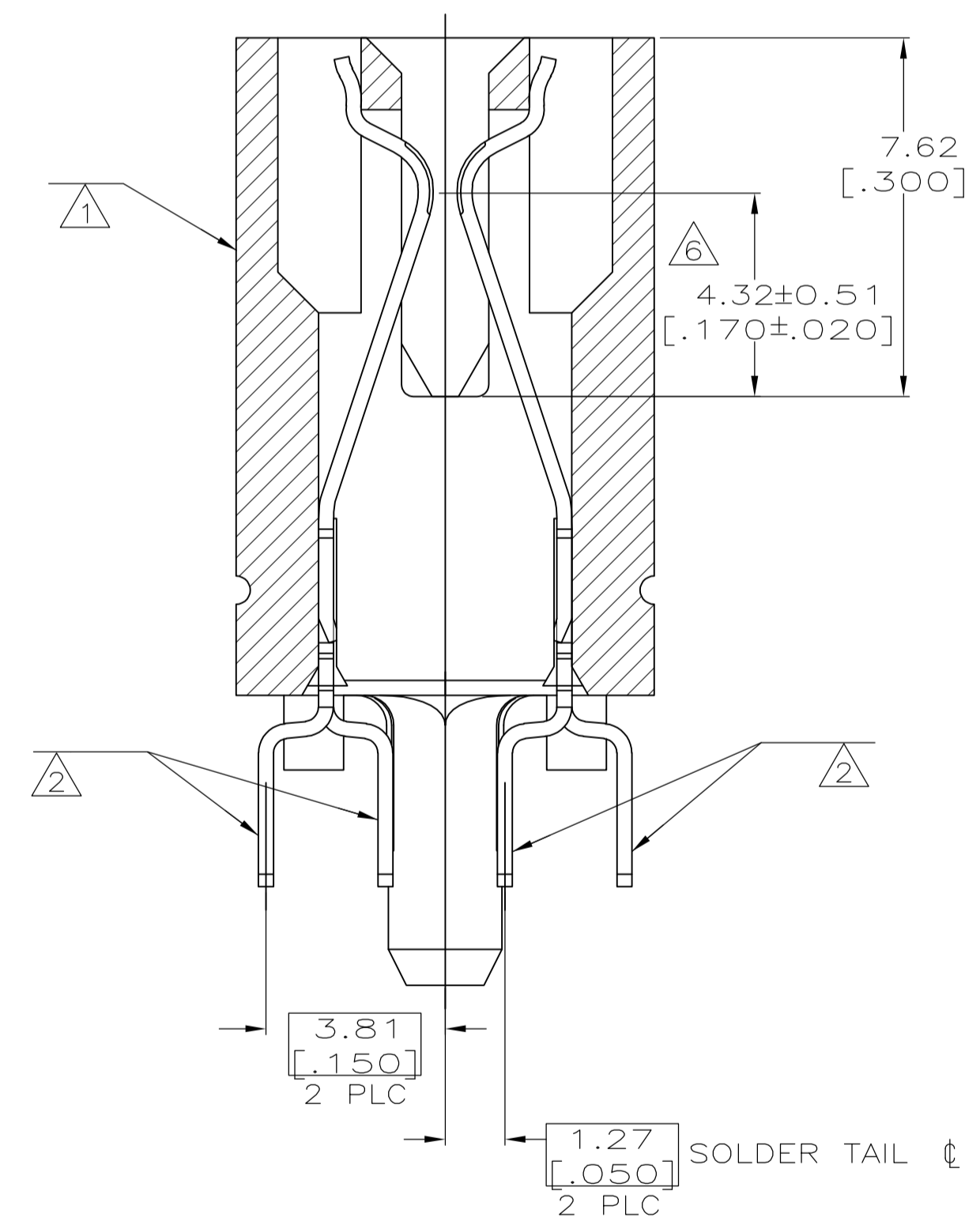


SEE SHEET 2 FOR HOLE PATTERN



- ① HOUSING: HIGH TEMPERATURE THERMOPLASTIC. COLOR - NATURAL
- ② CONTACT: PHOSPHOR BRONZE.
- ③ CONTACT FINISH: .001269[.000050] MIN NICKEL ALL OVER. GOLD FLASH OVER NICKEL IN CONTACT AREA. .002537[.000100] MIN TIN-LEAD OVER NICKEL ON SOLDER TAILS.
- ④ CONTACT FINISH: .001269[.000050] MIN NICKEL ALL OVER. .000375[.000015] MIN GOLD OVER NICKEL IN CONTACT AREA. .002537[.000100] MIN TIN-LEAD OVER NICKEL ON SOLDER TAILS.
- ⑤ CONTACT FINISH: .001269[.000050] MIN NICKEL ALL OVER. .000757[.000030] MIN GOLD OVER NICKEL IN CONTACT AREA. .002537[.000100] MIN TIN-LEAD OVER NICKEL ON SOLDER TAILS.
- ⑥ DISTANCE FROM CONTACT POINT TO BOTTOM OF CARD SLOT.
- ⑦ AMP PART NUMBER, DATE CODE AND CSA LOGO SHOULD BE MARKED ON THE SIDE OF THE HOUSING NEAR THE AMP LOGO.
- ⑧ CORED OR SOLID SIDE WALLS ARE AT DISCRETION OF AMP INCORPORATED.

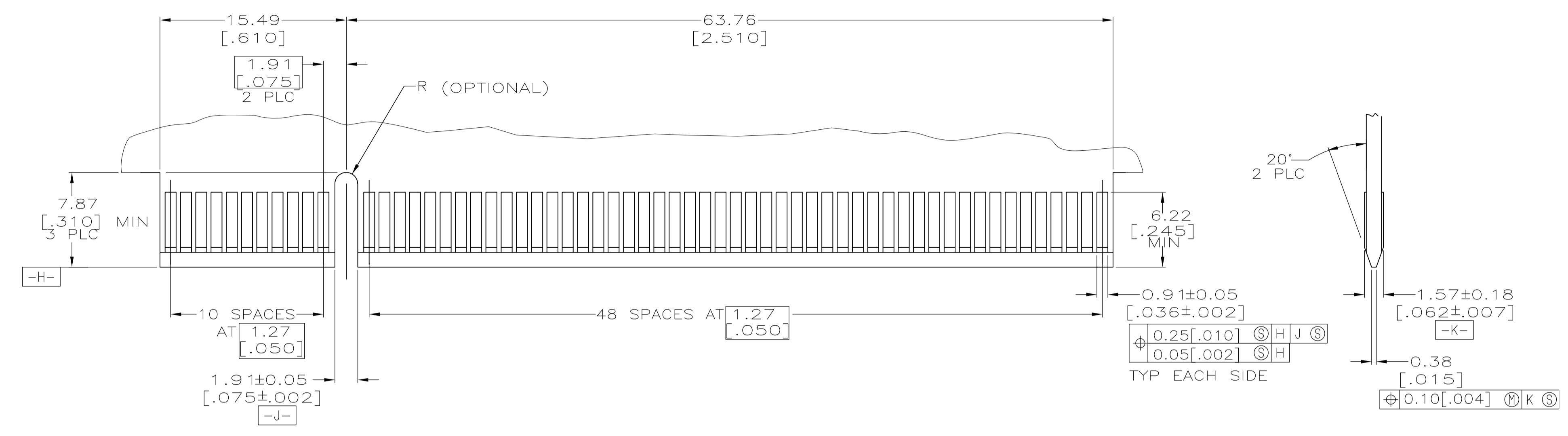


SECTION L-L
SCALE 8:1

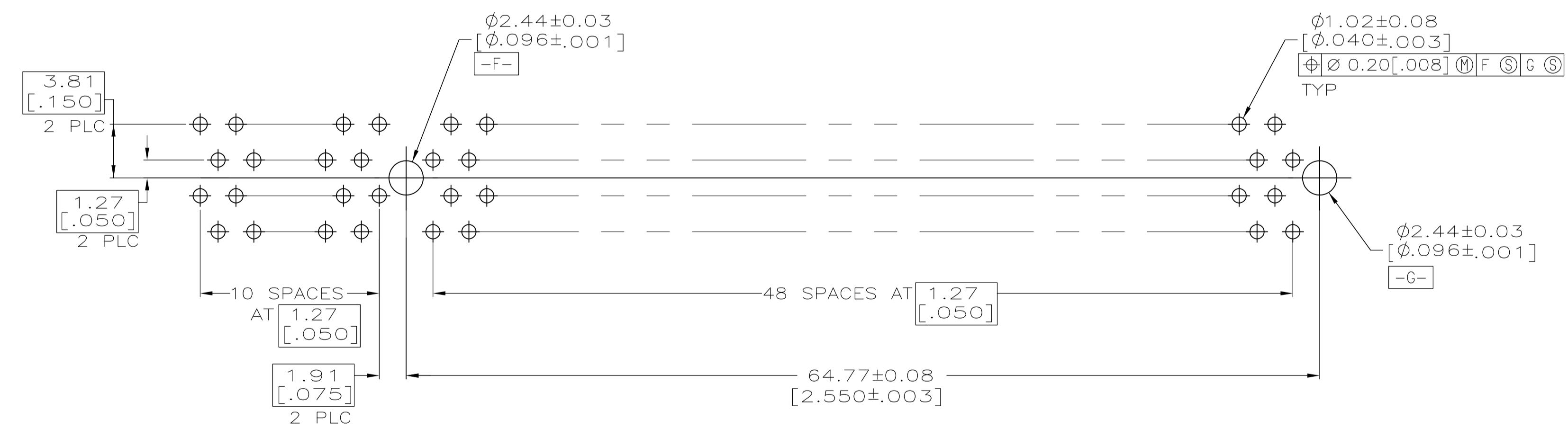
SUPERSEDED BY 145154-4
OBSOLETE

3.56 [.140]	①	1-145154-2
3.18 [.125]	②	145154-8
2.54 [.100]	③	145154-4
2.54 [.100]	④	145154-3
2.54 [.100]	⑤	145154-2
2.54 [.100]	⑥	145154-1
W	FINISH	PART NUMBER

THIS DRAWING IS A CONTROLLED DOCUMENT.		DIN R BROWN 6/9/95	Tyco Electronics Corporation Harrisburg, Pa 17105-3608	
DIMENSIONS: mm		CHK M BOWERS 6/9/95	APVD	
TOLERANCES UNLESS OTHERWISE SPECIFIED:		NAME		
0 PLC ± -	1 PLC ± -	PRODUCT SPEC 108-14034		
2 PLC ± 0.25 [.01]	3 PLC ± 0.127 [.005]	APPLICATION SPEC		
4 PLC ± ±	ANGLES ± ±	SIZE 114-26012	CAGE CODE	DRAWING NO
MATERIAL	FINISH	WEIGHT	A1 00779	145154
CUSTOMER DRAWING		SCALE 4:1	SHEET 1 OF 2	REV G



RECOMMENDED MATING BOARD EDGE CONFIGURATION



RECOMMENDED CONNECTOR MOUNTING HOLE PATTERN
(CONNECTOR SIDE SHOWN)

THIS DRAWING IS A CONTROLLED DOCUMENT.		DIN R BROWN 6/9/95	Tyco Electronics Corporation Harrisburg, Pa 17105-3608	
DIMENSIONS: mm		CHK M BOWERS 6/9/95	APVD	
TOLERANCES UNLESS OTHERWISE SPECIFIED:		NAME		
0 PLC ± -	1 PLC ± -	CONNECTOR ASSEMBLY, 60 DUAL POSITION, 1.27 [.050] SERIES,		
2 PLC ± 0.25 [.01]	3 PLC ± 0.127 [.005]	PRODUCT SPEC 108-14034		
4 PLC ± - ± A	ANGLES ± - ± A	APPLICATION SPEC 114-26012		
MATERIAL SEE SHEET 1	FINISH SEE SHEET 1	WEIGHT -	SIZE A1	CAGE CODE DRAWING NO 00779 C=145154
CUSTOMER DRAWING		SCALE 4:1	SHEET 2 OF 2	REV G