

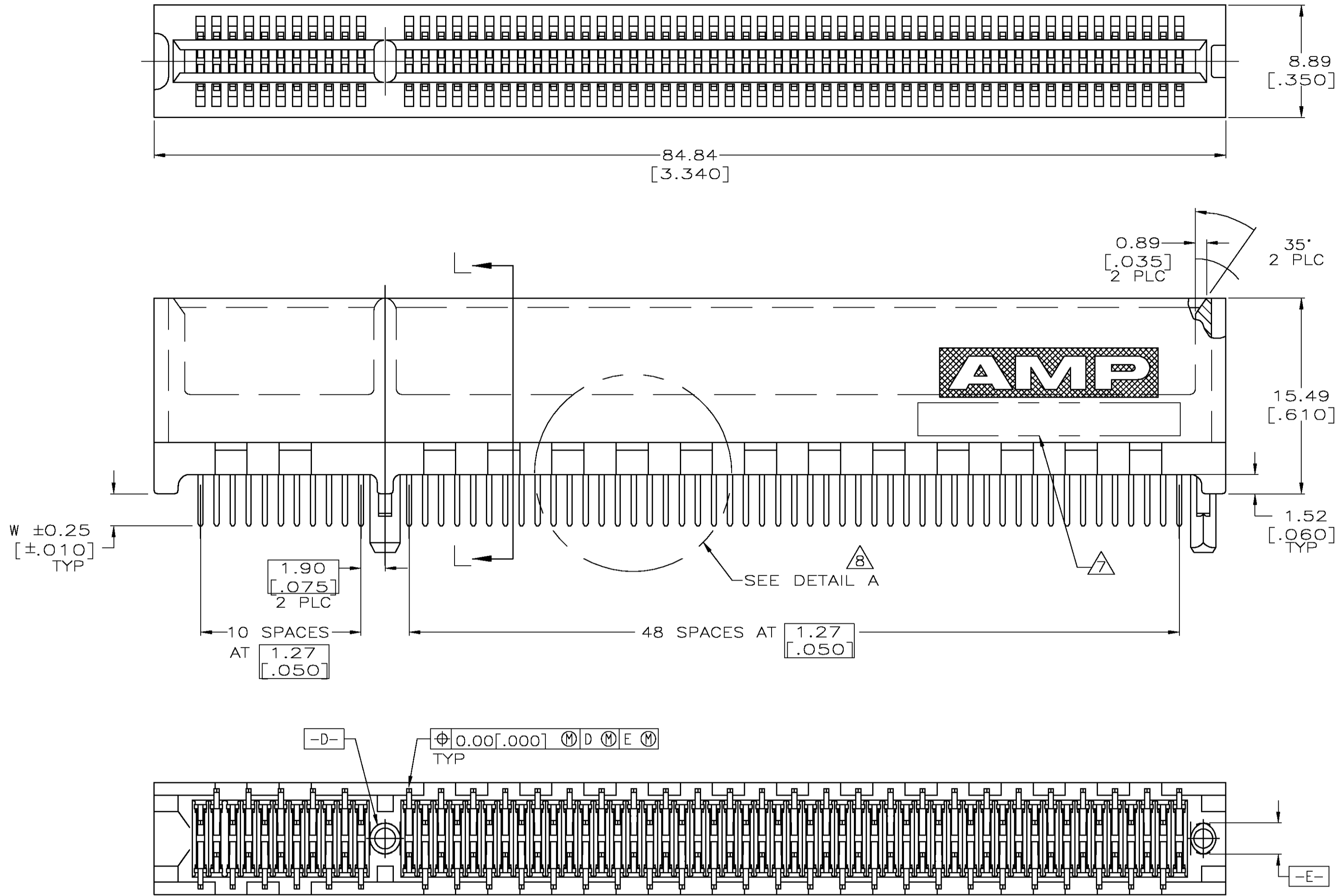
Distributed by:

**JAMECO**<sup>®</sup>  
ELECTRONICS

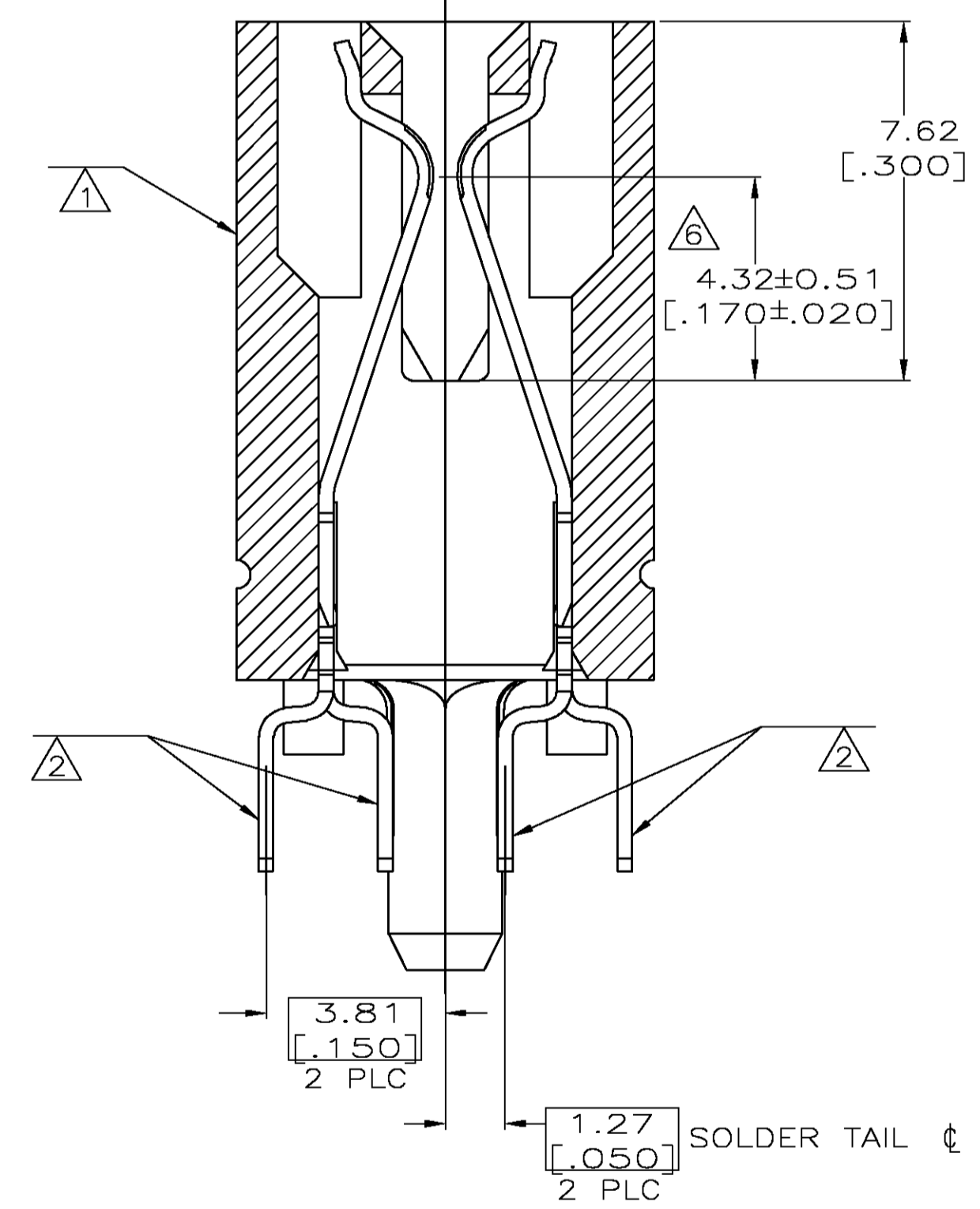
**www.Jameco.com ♦ 1-800-831-4242**

The content and copyrights of the attached  
material are the property of its owner.

Jameco Part Number 741087

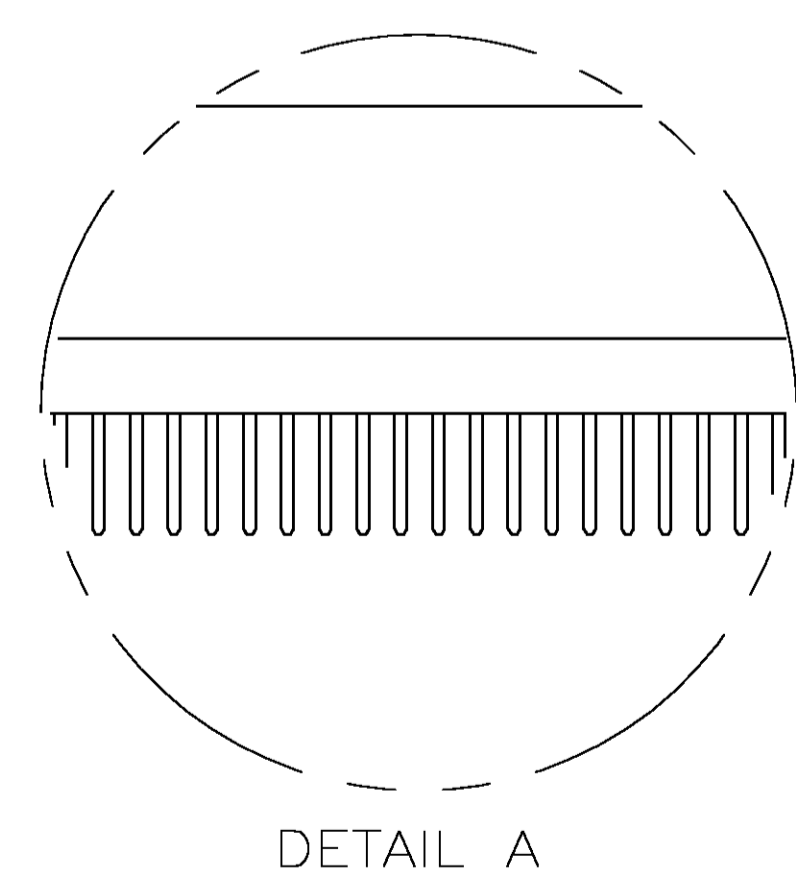


- ① HOUSING: HIGH TEMPERATURE THERMOPLASTIC. COLOR - NATURAL
- ② CONTACT: PHOSPHOR BRONZE.
- ③ CONTACT FINISH: .001269[.000050] MIN NICKEL ALL OVER. GOLD FLASH OVER NICKEL IN CONTACT AREA. .002537[.000100] MIN TIN-LEAD OVER NICKEL ON SOLDER TAILS.
- ④ CONTACT FINISH: .001269[.000050] MIN NICKEL ALL OVER. .000375[.000015] MIN GOLD OVER NICKEL IN CONTACT AREA. .002537[.000100] MIN TIN-LEAD OVER NICKEL ON SOLDER TAILS.
- ⑤ CONTACT FINISH: .001269[.000050] MIN NICKEL ALL OVER. .000757[.000030] MIN GOLD OVER NICKEL IN CONTACT AREA. .002537[.000100] MIN TIN-LEAD OVER NICKEL ON SOLDER TAILS.
- ⑥ DISTANCE FROM CONTACT POINT TO BOTTOM OF CARD SLOT.
- ⑦ AMP PART NUMBER, DATE CODE AND CSA LOGO MARKED IN APPROXIMATE LOCATION SHOWN.
- ⑧ CORED OR SOLID SIDE WALLS ARE AT DISCRETION OF AMP INCORPORATED.



SECTION L-L  
SCALE 8:1

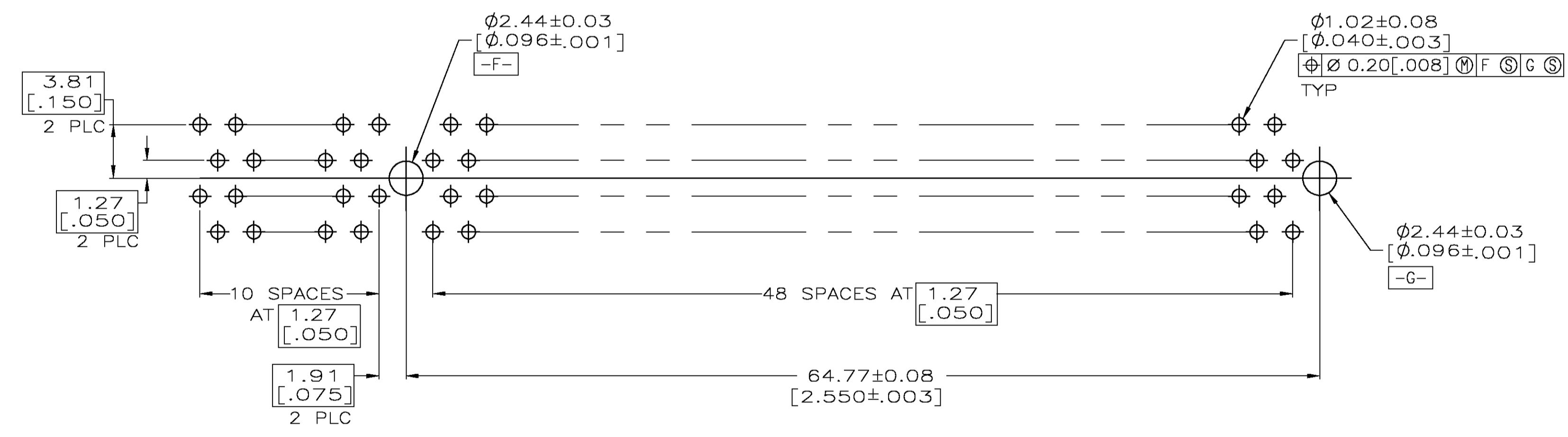
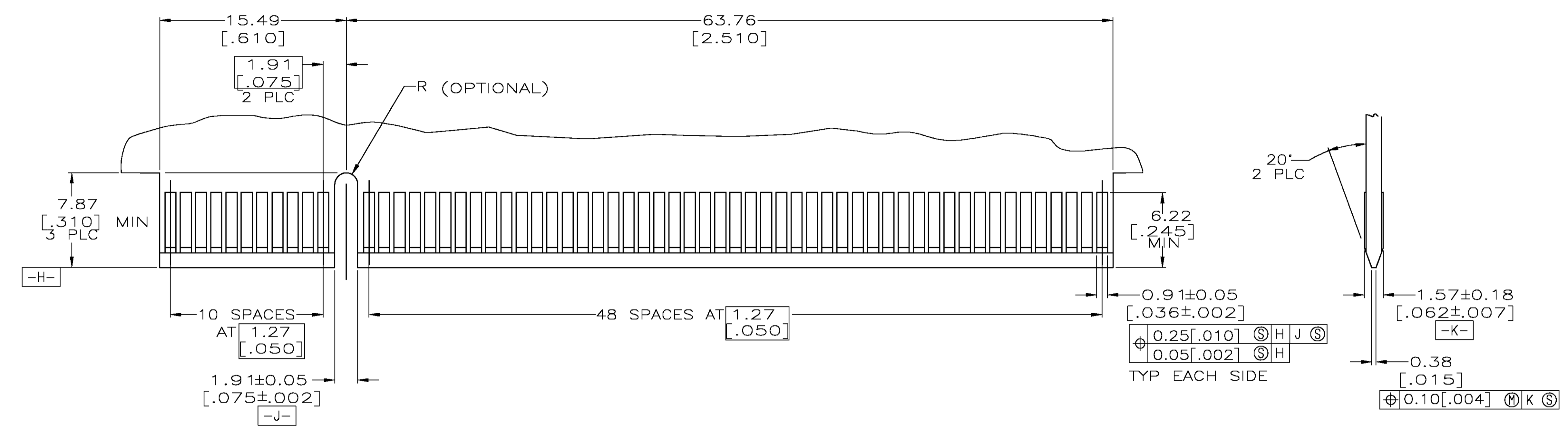
SEE SHEET 2 FOR HOLE PATTERN



SUPERSEDED BY 145154-4  
OBSOLETE

|             |        |             |
|-------------|--------|-------------|
| 3.56 [.140] | ①      | 1-145154-2  |
| 3.18 [.125] | ②      | 145154-8    |
| 2.54 [.100] | ③      | 145154-4    |
| 2.54 [.100] | ④      | 145154-3    |
| 2.54 [.100] | ⑤      | 145154-2    |
| 2.54 [.100] | ⑥      | 145154-1    |
| W           | FINISH | PART NUMBER |

|  |                      |                           |   |
|--|----------------------|---------------------------|---|
| THIS DRAWING IS A CONTROLLED DOCUMENT. |                      | DMN<br>R BROWN<br>6/9/95  | Tyco Electronics Corporation<br>Harrisburg, Pa 17105-3608 |
| DIMENSIONS: mm                         |                      | CHK<br>M BOWERS<br>6/9/95 |   |
| TOLERANCES UNLESS OTHERWISE SPECIFIED: |                      | APVD                      | NAME  |
| 0 PLC ± -                              | 1 PLC ± -            | PRODUCT SPEC              | CONNECTOR ASSEMBLY,                                       |
| 2 PLC ± 0.25 [.01]                     | 3 PLC ± 0.127 [.005] | APPLICATION SPEC          | 60 DUAL POSITION,   |
| 4 PLC ± - Z                            | ANGLES ± - Z         | SIZE                      | 1.27 [.050] SERIES,                                       |
| MATERIAL                               | FINISH               | WEIGHT                    | RESTRICTED TO   |
| ①②                                     | ③④⑤                  | A1 00779                  | 145154  |
| CUSTOMER DRAWING                       |                      | SCALE 4:1                 | SHEET 1 OF 2  |



|   |  |                           |   |
|---|--|---------------------------|---|
| THIS DRAWING IS A CONTROLLED DOCUMENT.  |  | DNW<br>R BROWN<br>6/9/95  | <br>Tyco Electronics Corporation<br>Harrisburg, Pa 17105-3608   |
| DIMENSIONS: mm  |  | CHK<br>M BOWERS<br>6/9/95 |   |
| TOLERANCES UNLESS OTHERWISE SPECIFIED:<br>0 PLC ± -<br>1 PLC ± -<br>2 PLC ± 0.25 [.01]<br>3 PLC ± 0.127 [.005]<br>4 PLC ± - ± Z<br>ANGLES ± - ± Z |  | APVD<br>M BOWERS          | NAME<br>CONNECTOR ASSEMBLY,<br>60 DUAL POSITION,<br>1.27 [.050] SERIES,   |
| MATERIAL<br>SEE SHEET 1   |  | FINISH<br>SEE SHEET 1     | PRODUCT SPEC<br>108-14034<br>APPLICATION SPEC<br>114-26012<br>WEIGHT<br>-<br>SIZE<br>A1<br>CAGE CODE<br>00779<br>DRAWING NO<br>145154<br>RESTRICTED TO<br>-<br>CUSTOMER DRAWING<br>SCALE 4:1 SHEET 2 OF 2 REV F |