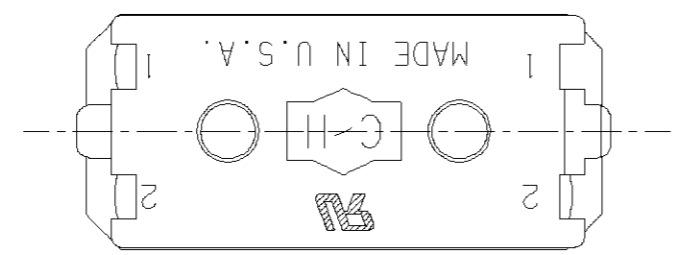
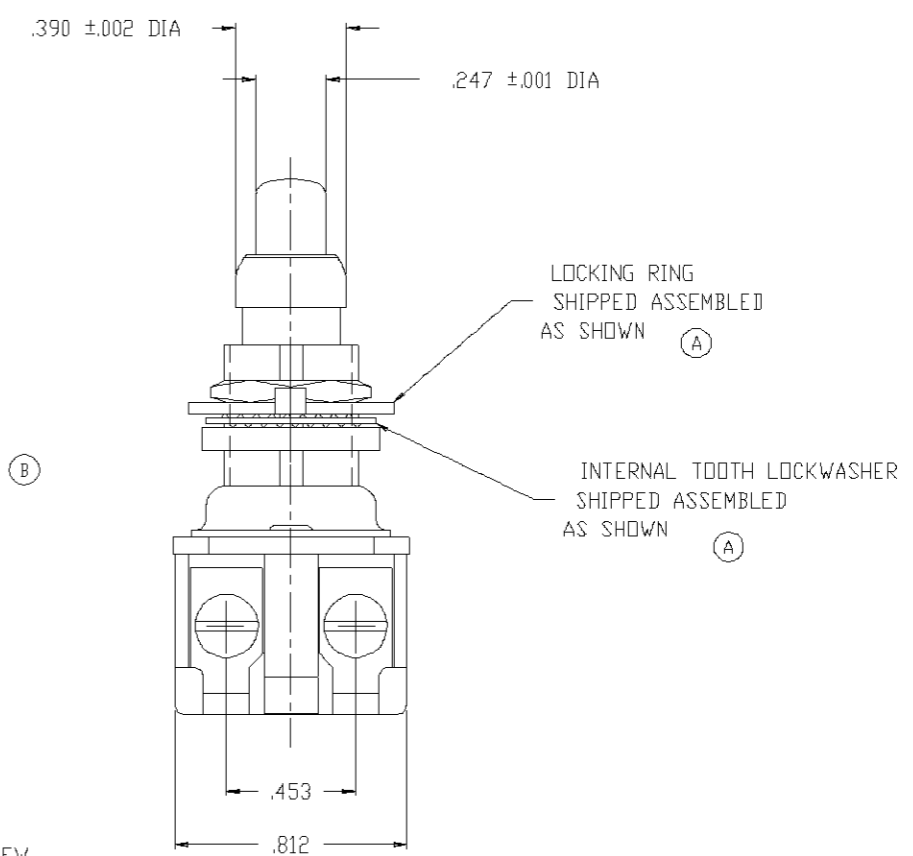
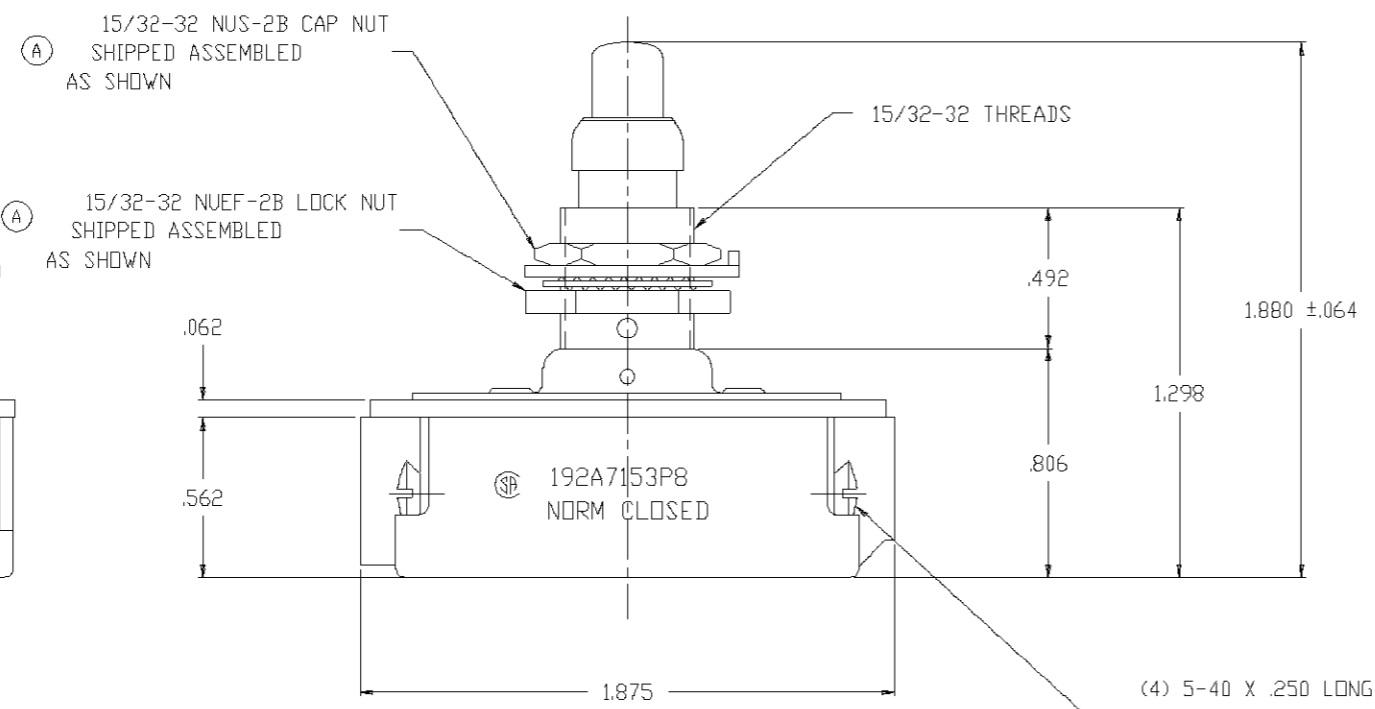
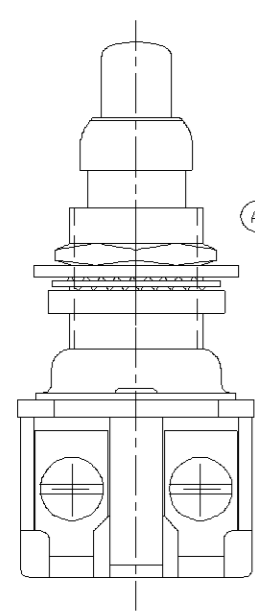
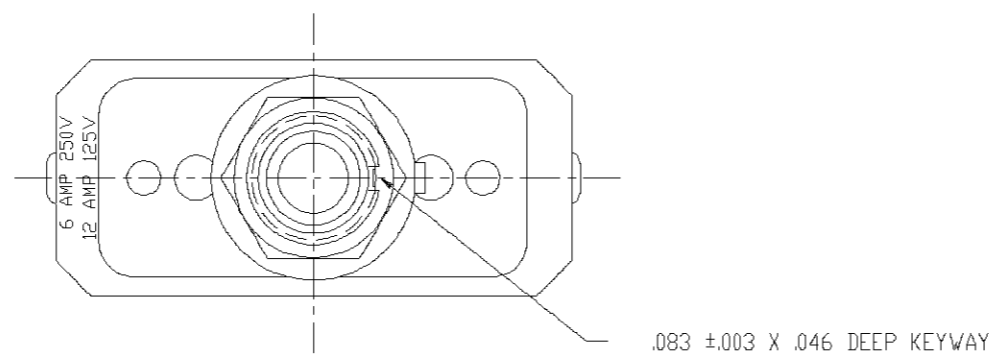


B

91-311

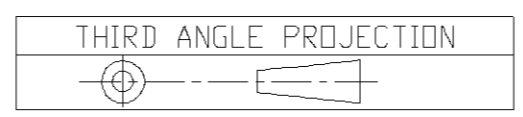


(4) 5-40 X .250 LONG UNDERCUT BDG. HD. SCREW SHIPPED ASSEMBLED

NOTES:  
1. UNLESS OTHERWISE SPECIFIED ALL TOLERANCES TO BE ±.016.

ORDER NO. 93719950

A	REMOVED EATON PT NO.'S FROM HARDWARE NOTES. CAP NUT NOTE: 15/32 WAS 1532.	WL	WH	MRD	2/24/95	D
	ECN02159503					
B	REVISED PER FASR: 1.880 WAS 1.964.				4/29/95	E
	ECN03219504					
C						F



TITLE: D.P.S.T. MOMENTARY CONTACT PUSH SWITHC W/ OVERTHROW - NORMALLY 'ON'			
DR.	W. LEONARD	3/30/92	SURFACE COATING
CHK.	WESTEMEIER	4/10/92	SCALE
APP.	M.R. DUMMER	4/14/92	DO NOT SCALE DRAWING
			FIRST ASSEM. WHERE LISTED 8980K251
			SUP'S ARROW HART 80630CE
			SUP'D BY