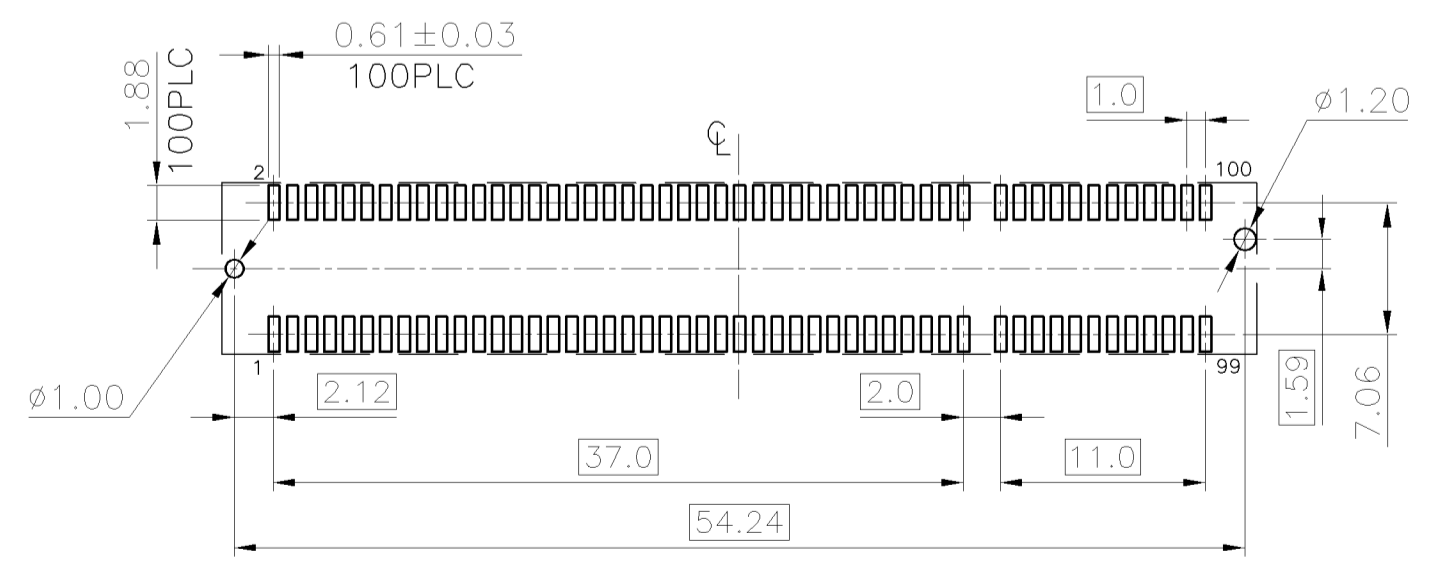
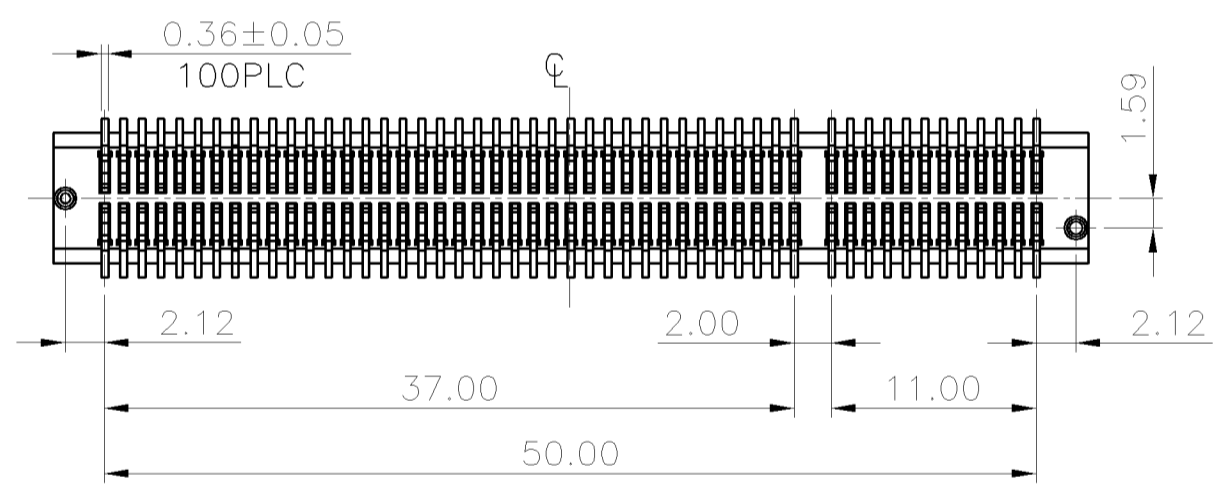
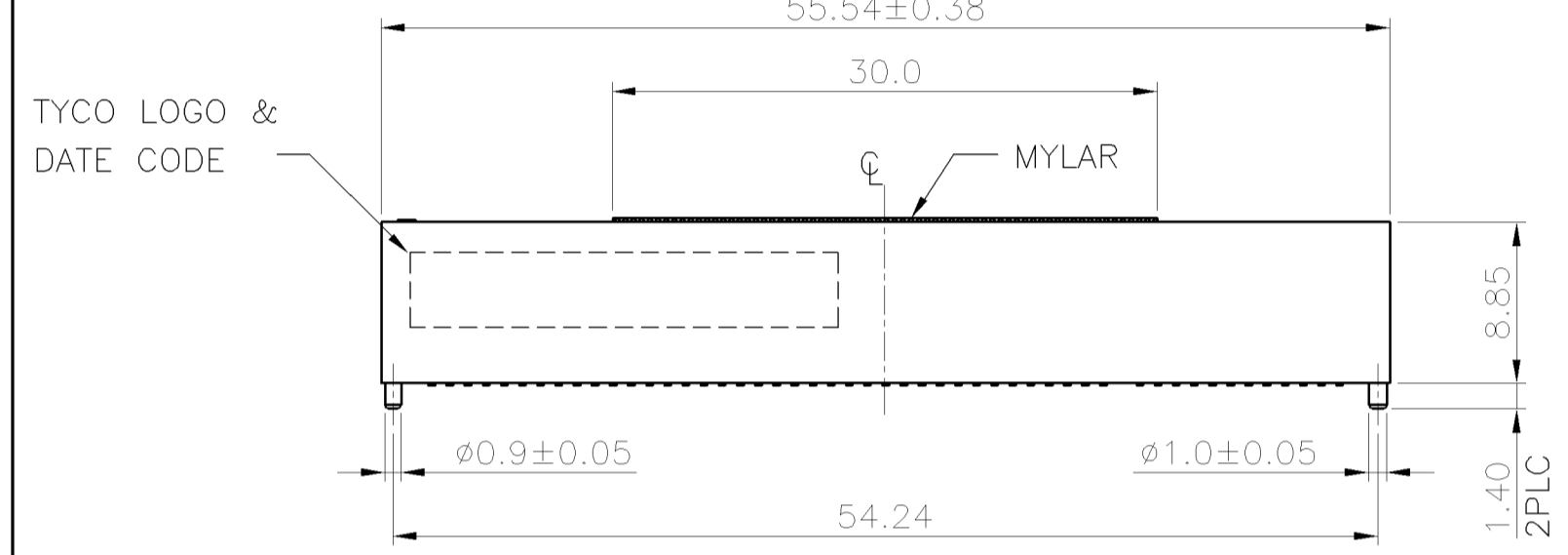
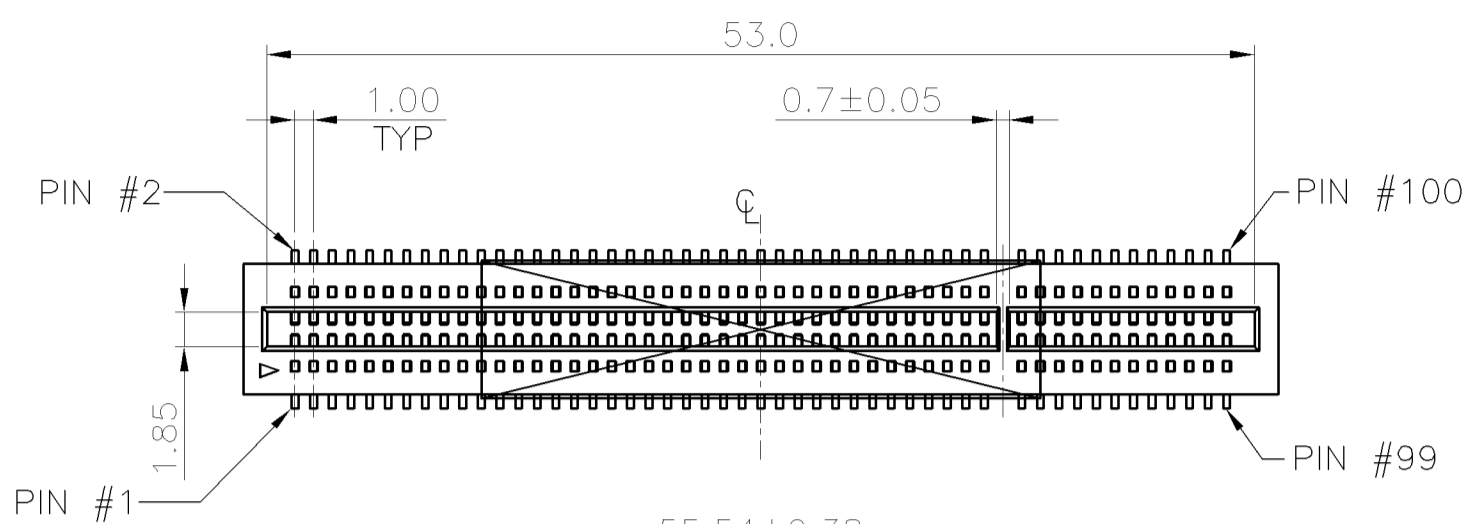
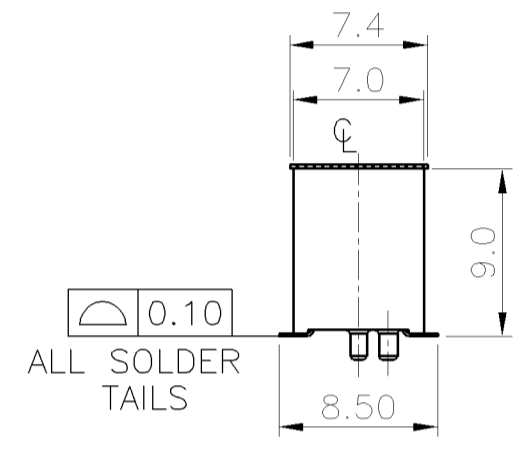


THIS DRAWING IS UNPUBLISHED. RELEASED FOR PUBLICATION  
 © COPYRIGHT BY TYCO ELECTRONICS CORPORATION. ALL RIGHTS RESERVED.

LOC	DIST	REVISIONS					
DW	—	P	LTR	DESCRIPTION	DATE	DWN	APVD
		A		RELEASED	02AUG07	JL	WK



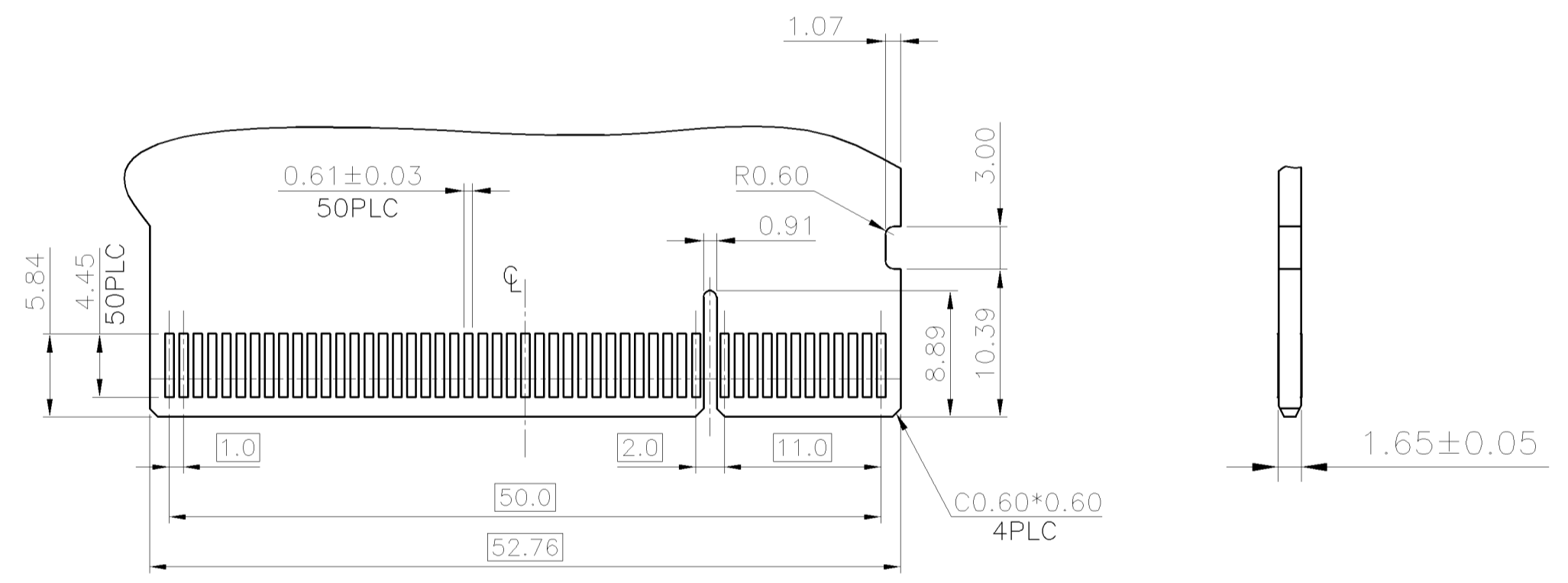
RECOMMENDED PCB LAYOUT  
 TOLERANCES ±0.05  
 (TOP VIEW)



NOTES:

- MATERIAL:  
HOUSING: LCP WITH 30% GF, UL 94V-0, BLACK COLOR.  
CONTACTS: PHOSPHOR BRONZE.
- FINISH:  
CONTACTS: GOLD FLASH PLATED ON CONTACT AREA,  
2.54um [100u"] MIN. MATTE-TIN PLATED ON SOLDER TAIL,  
1.27um [50u"] MIN. NICKEL UNDERPLATED ALL OVER.
- REFLOW SOLDER CAPABLE TO 260°C PER TYCO TEST SPEC.  
109-201, CONDITION B.

POST TYPE 1



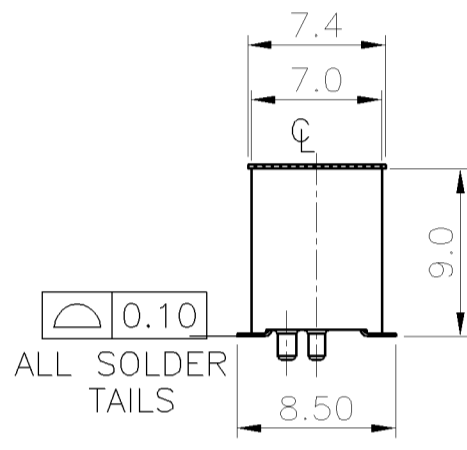
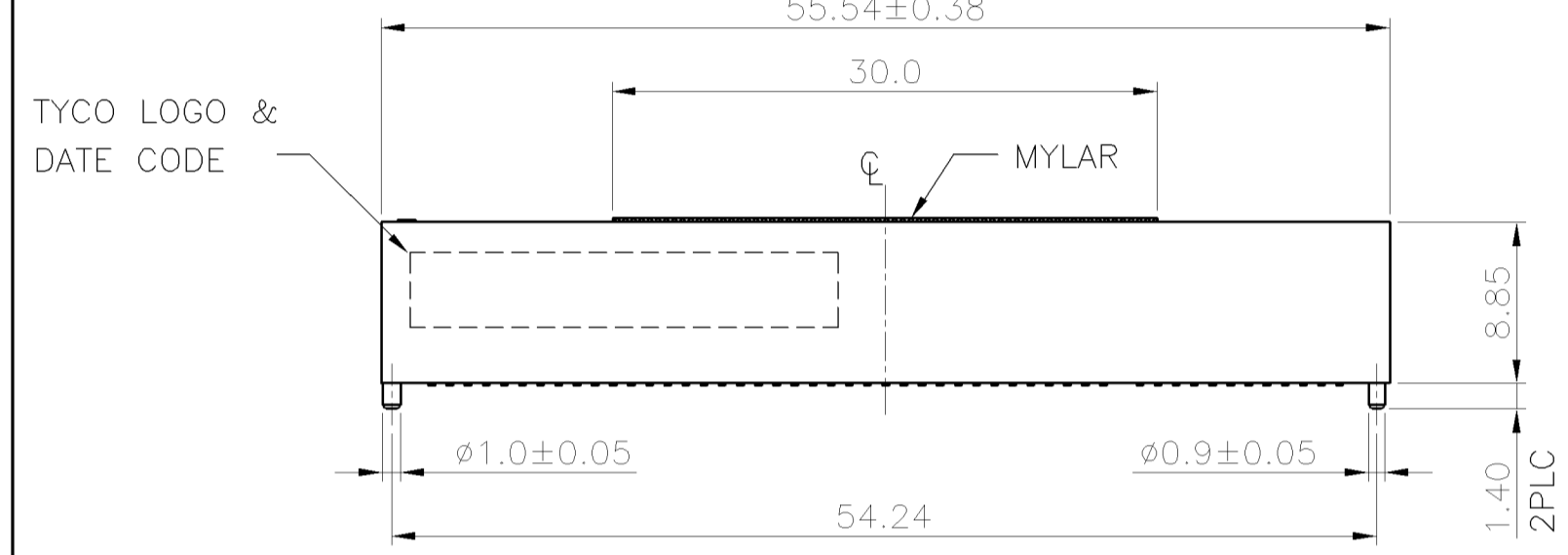
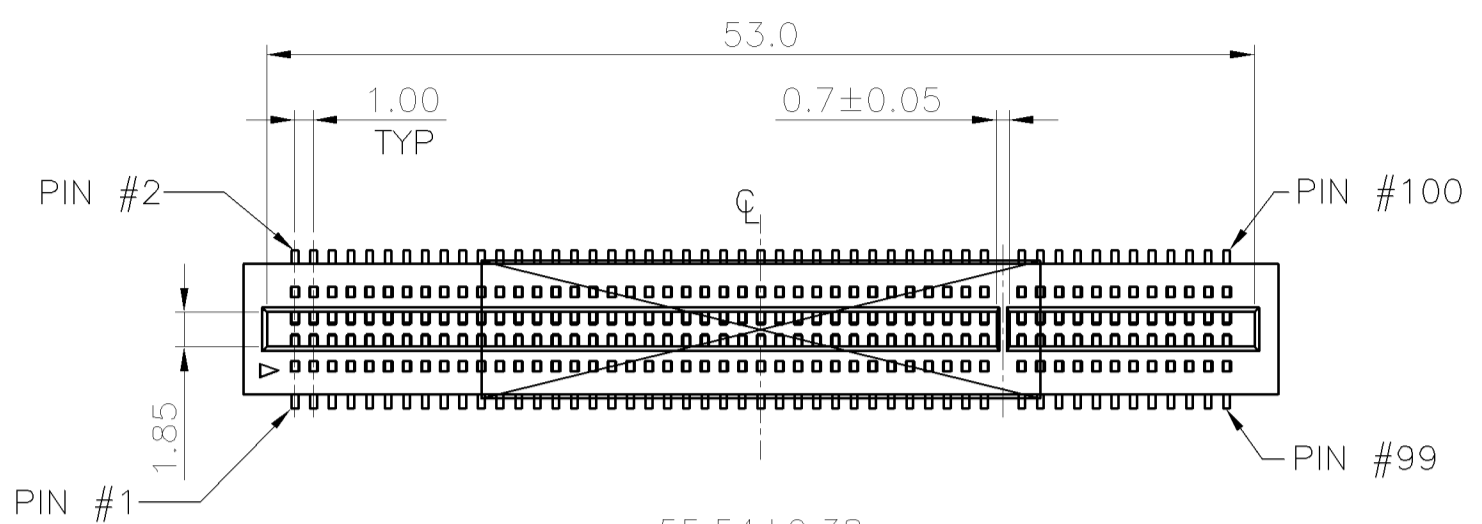
RECOMMENDED CARD PCB LAYOUT  
 TOLERANCES ±0.05

1775520-1  
 PART NUMBER

THIS DRAWING IS A CONTROLLED DOCUMENT.		DWN J. LEE 02AUG2007	Tyco Electronics Corporation Taipei, Taiwan	
DIMENSIONS: MM		CHK S. HOU 02AUG2007	NAME	
TOLERANCES UNLESS OTHERWISE SPECIFIED:		APVD W.J. KE 02AUG2007	1.0mm CARD EDGE, 100PIN, SMT, CONNECTOR	
0 PLC ± -		PRODUCT SPEC	SIZE	CAGE CODE
1 PLC ± 0.30		108-57646	A3	00779
2 PLC ± 0.20		QUALIFICATION TEST REPORT	DRAWING NO	RESTRICTED TO
3 PLC ± -		501-57752	©=1775520	—
4 PLC ± -		WEIGHT	SCALE	
ANGLES ± 3°		4.0GRAMS	—	
MATERIAL SEE NOTE	FINISH SEE NOTE	CUSTOMER DRAWING		SHEET
				1 OF 3
				REV A

THIS DRAWING IS UNPUBLISHED. RELEASED FOR PUBLICATION  
 © COPYRIGHT BY TYCO ELECTRONICS CORPORATION. ALL RIGHTS RESERVED.

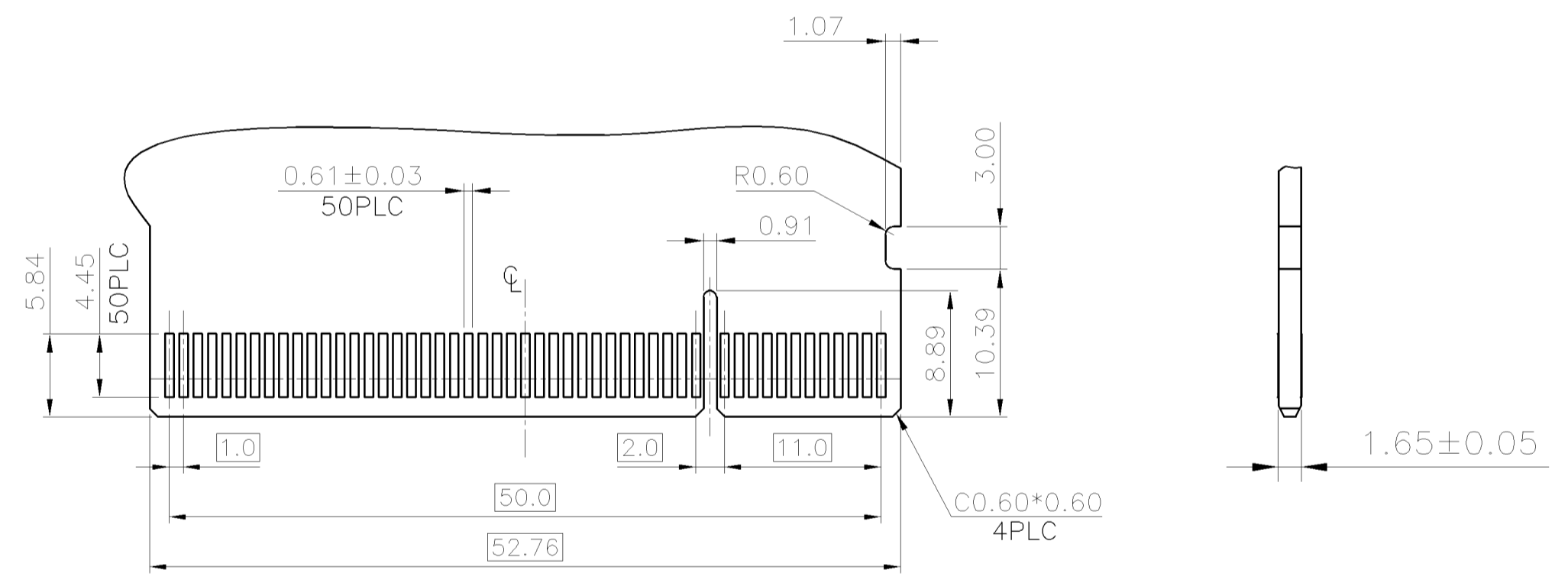
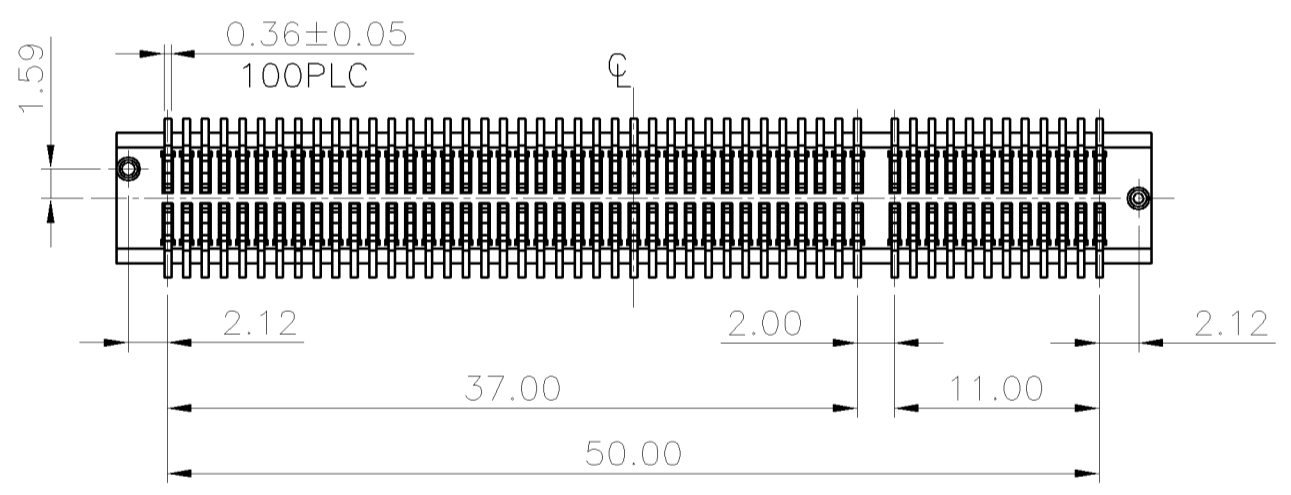
LOC	DIST	REVISIONS					
DW	—	P	LTR	DESCRIPTION	DATE	DWN	APVD
				SEE SHEET 1.			



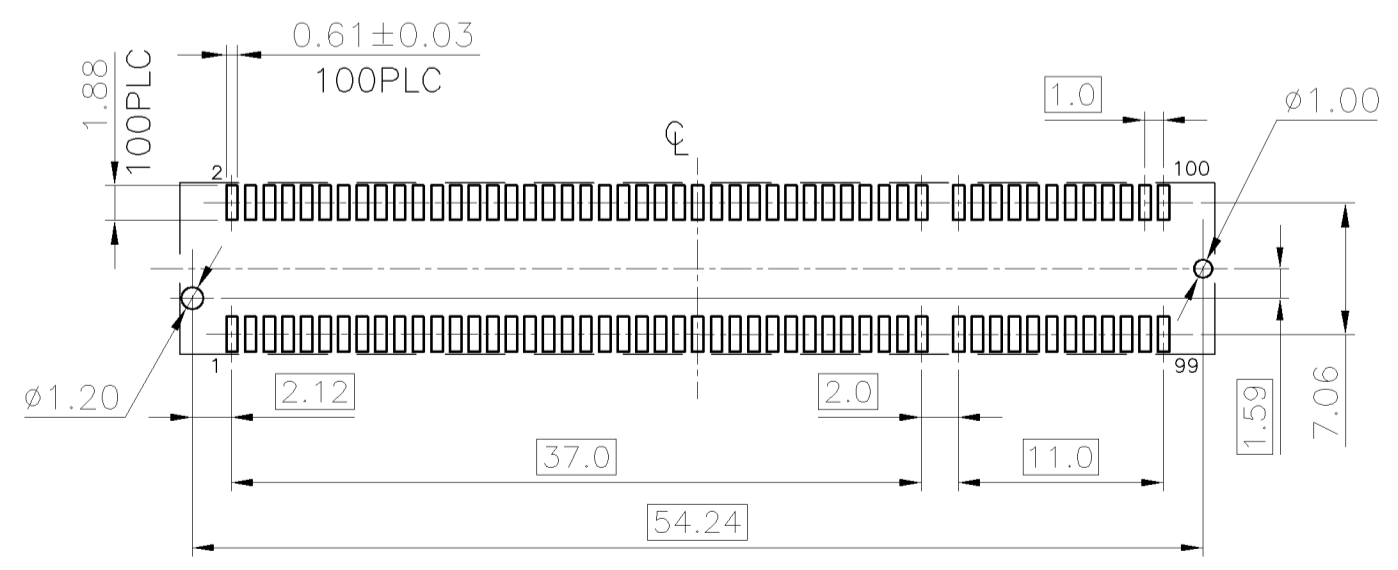
NOTES:

- MATERIAL:  
HOUSING: LCP WITH 30% GF, UL 94V-0, BLACK COLOR.  
CONTACTS: PHOSPHOR BRONZE.
- FINISH:  
CONTACTS: GOLD FLASH PLATED ON CONTACT AREA,  
2.54um [100u"] MIN. MATTE-TIN PLATED ON SOLDER TAIL,  
1.27um [50u"] MIN. NICKEL UNDERPLATED ALL OVER.
- REFLOW SOLDER CAPABLE TO 260°C PER TE TEST SPEC.  
109-201, CONDITION B.

POST TYPE 2



RECOMMENDED CARD PCB LAYOUT  
TOLERANCES ±0.05



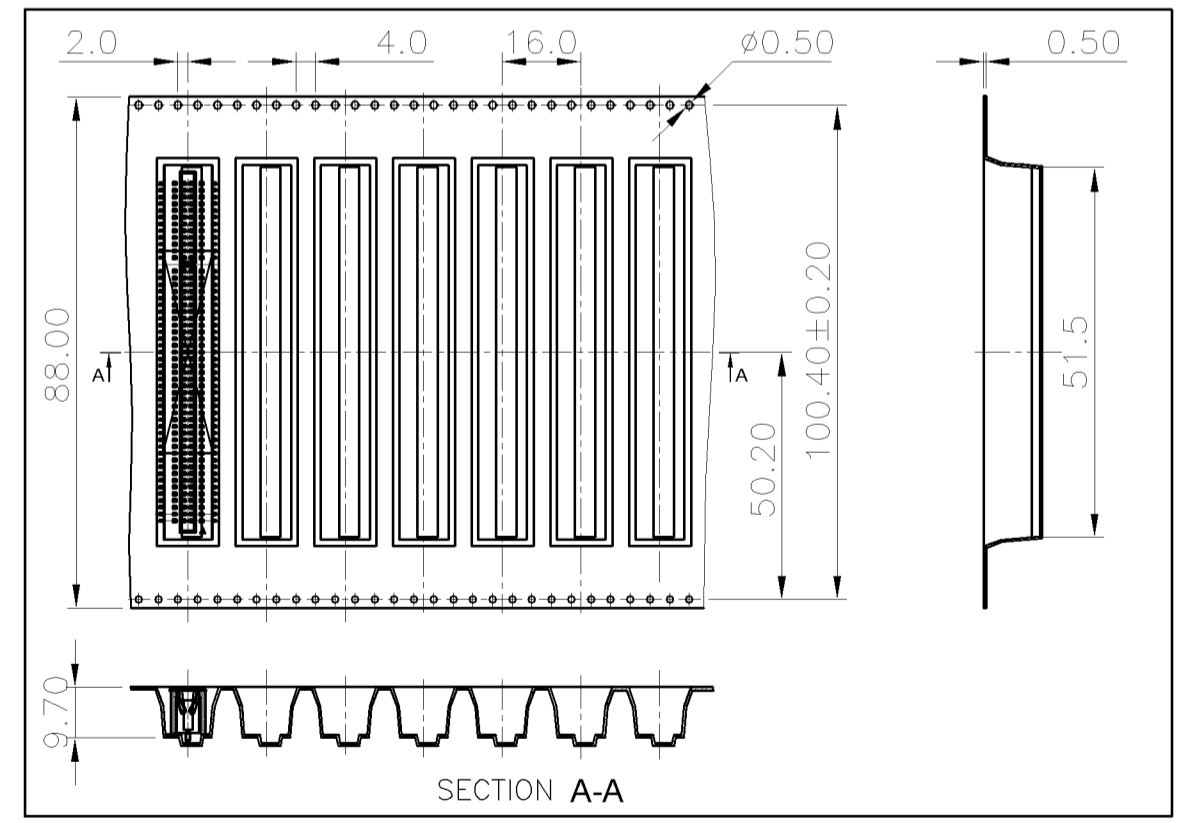
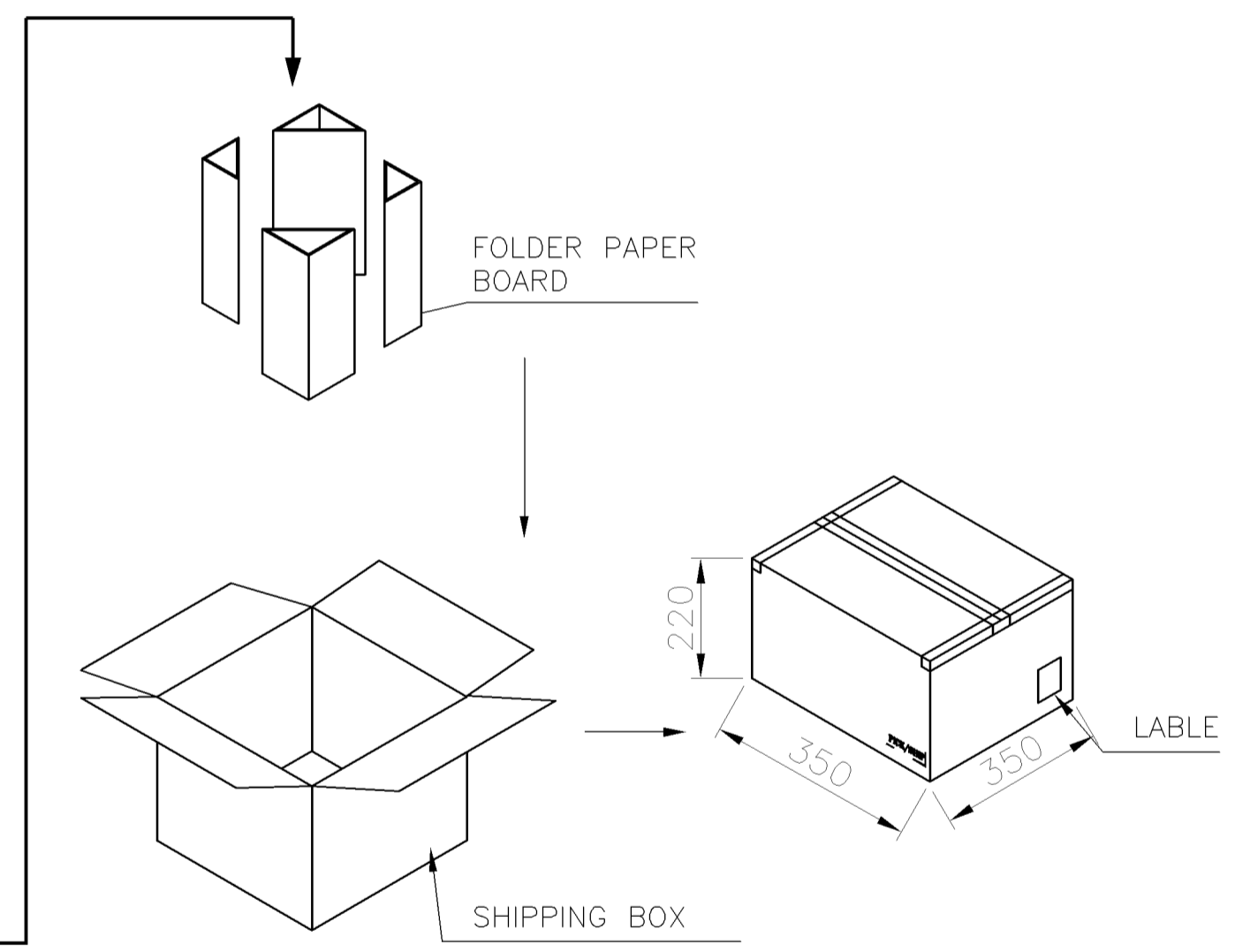
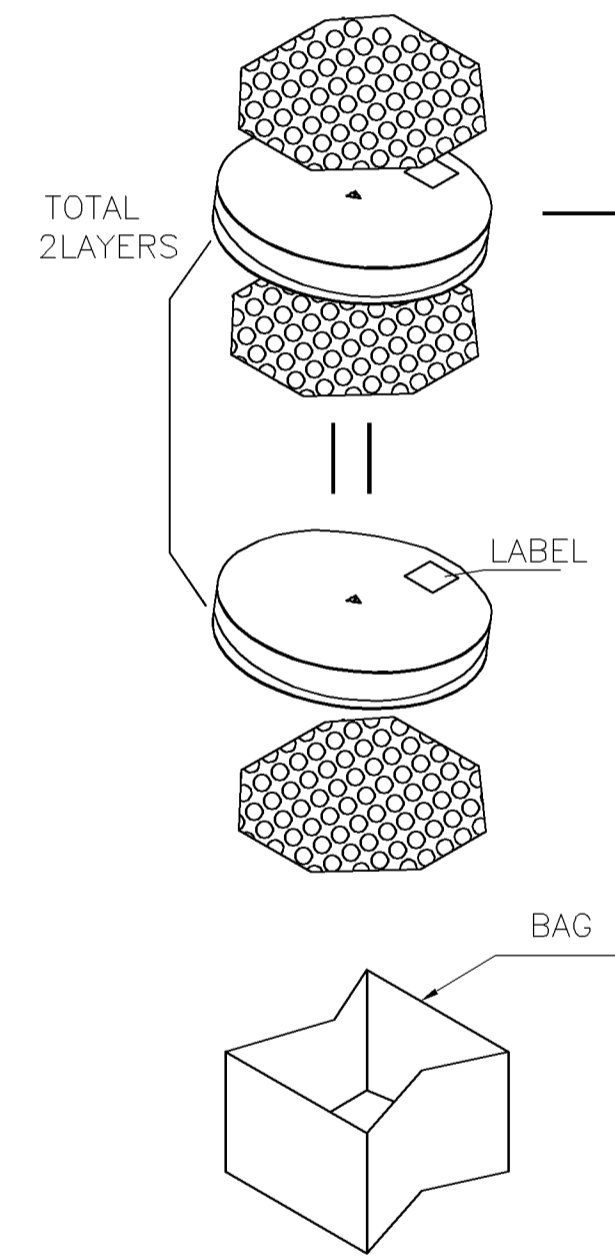
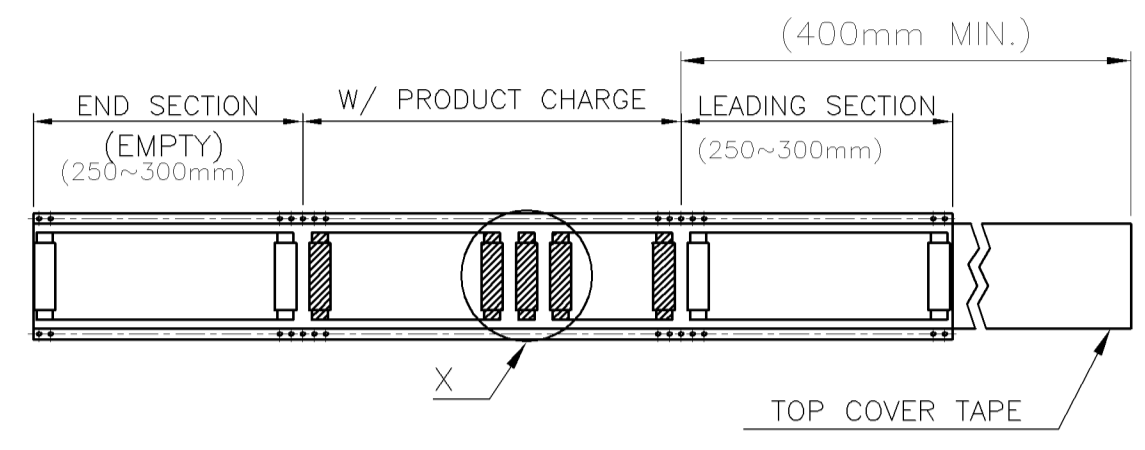
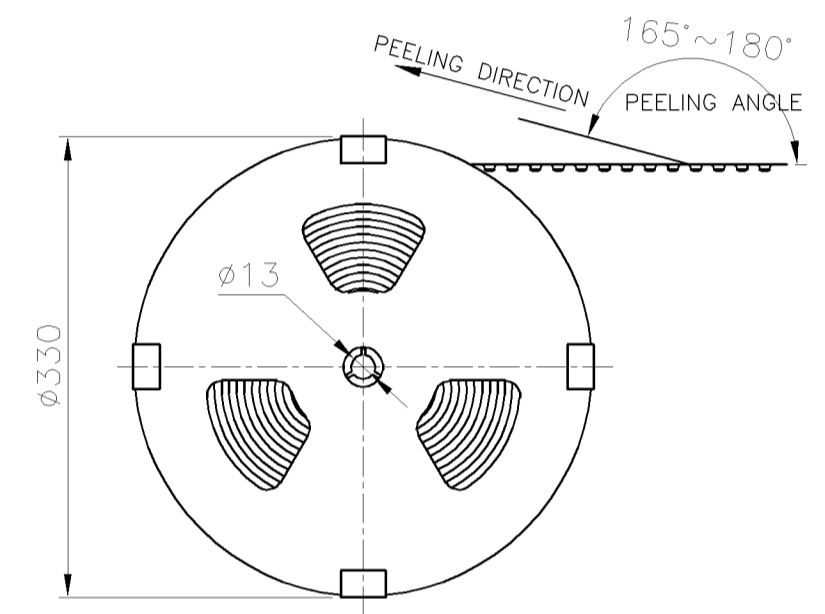
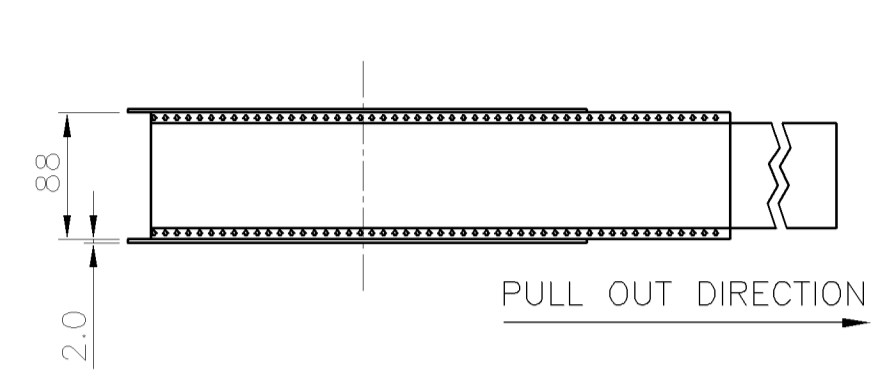
RECOMMENDED PCB LAYOUT  
TOLERANCES ±0.05  
(TOP VIEW)

1-1775520-1  
PART NUMBER

THIS DRAWING IS A CONTROLLED DOCUMENT.		DWN J. LEE 02AUG2007	Tyco Electronics Corporation Taipei, Taiwan	
DIMENSIONS: MM		CHK S. HOU 02AUG2007	NAME	
TOLERANCES UNLESS OTHERWISE SPECIFIED:		APVD W.J. KE 02AUG2007	1.0mm CARD EDGE, 100PIN, SMT, CONNECTOR	
0 PLC ± -		PRODUCT SPEC	SIZE	CAGE CODE
1 PLC ± 0.30		108-57646	501-57752	DRAWING NO
2 PLC ± 0.20		QUALIFICATION TEST REPORT	4.0GRAMS	RESTRICTED TO
3 PLC ± -		501-57752	A300779	—
4 PLC ± -		WEIGHT	SCALE	SHEET
ANGLES ± 3°		CUSTOMER DRAWING	—	2 OF 3
MATERIAL SEE NOTE		FINISH SEE NOTE	REV	A

THIS DRAWING IS UNPUBLISHED. RELEASED FOR PUBLICATION  
 © COPYRIGHT BY TYCO ELECTRONICS CORPORATION. ALL RIGHTS RESERVED.

LOC	DIST	REVISIONS					
DW	-	P	LTR	DESCRIPTION	DATE	DWN	APVD
				SEE SHEET 1.			



300	2	600	3.8	2.4
PCS/ TAPE	REEL/ BOX	QUANTITY	G/W (KG)	N/W (KG)

THIS DRAWING IS A CONTROLLED DOCUMENT.		DWN J. LEE 02AUG2007	Tyco Electronics Corporation Taipei, Taiwan				
DIMENSIONS: MM		CHK S. HOU 02AUG2007				NAME	
TOLERANCES UNLESS OTHERWISE SPECIFIED:		APVD W.J. KE 02AUG2007	1.0mm CARD EDGE, 100PIN, SMT, CONNECTOR				
0 PLC ± - 1 PLC ± - 2 PLC ± - 3 PLC ± - 4 PLC ± - ANGLES ± -		PRODUCT SPEC	SIZE	CAGE CODE	DRAWING NO	RESTRICTED TO	
MATERIAL		FINISH	A300779		C=1775520	-	
		WEIGHT	CUSTOMER DRAWING		SCALE -	SHEET 3 OF 3	REV A