

2129115-1 ✓ ACTIVE

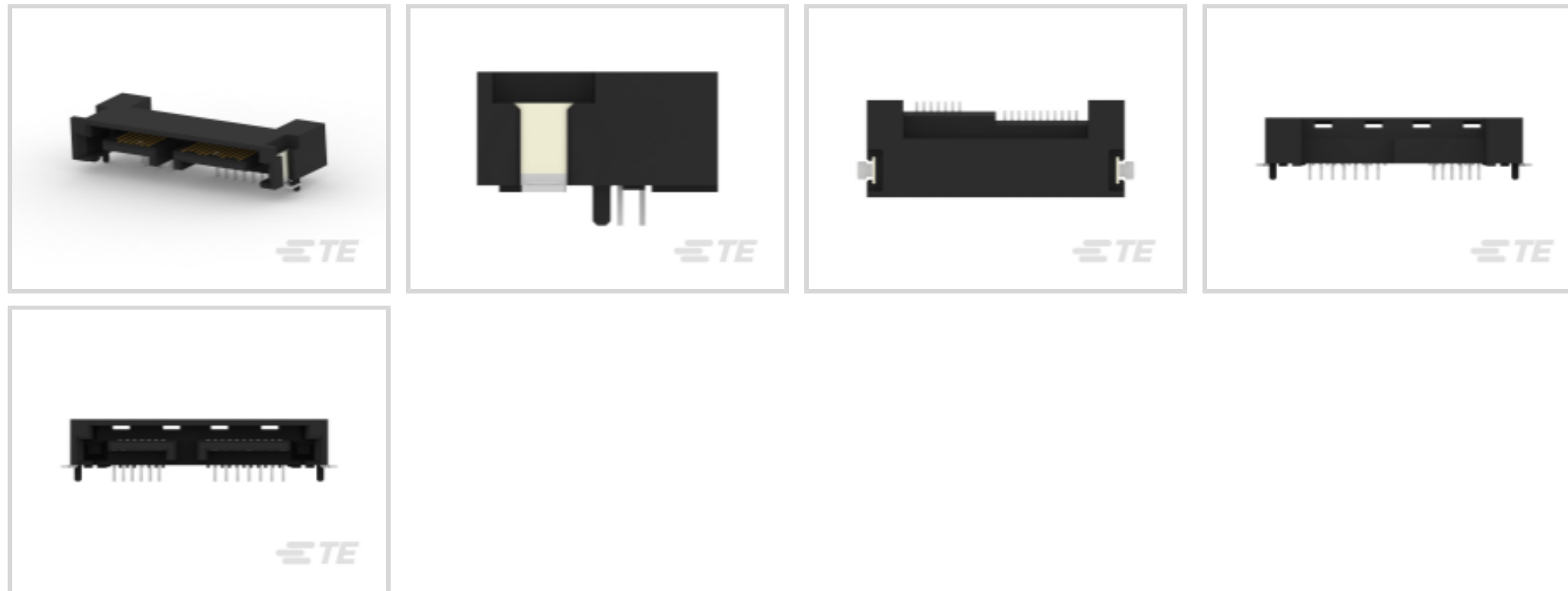
TE Internal #: 2129115-1

SATA, Plug, Cable-to-Board, 31 Position, 6P + 7P + 18P, Slimline Connector Profile, Right Angle, Through Hole - Solder / Surface Mount

[View on TE.com >](#)



Connectors > Audio & Video Connectors > SATA & Micro SATA



SATA Connector Type: **SATA**

Connector & Housing Type: **Plug**

Connector System: **Cable-to-Board**

Number of Positions: **31**

Contact Configuration: **6P + 7P + 18P**

## Features

### Product Type Features

Shell	Without
SATA Connector Type	SATA
Connector & Housing Type	Plug
Connector System	Cable-to-Board
Connector & Contact Terminates To	Printed Circuit Board

### Configuration Features

Stackable	No
Number of Positions	31
PCB Mount Orientation	Right Angle
Number of Rows	2
Number of Ports	2

### Body Features

Connector Profile	Slimline
-------------------	----------

### Contact Features

--	--



Contact Mating Area Plating Material Thickness	.76 µm[30 µin]
Contact Mating Area Plating Material	Gold
PCB Contact Termination Area Plating Material	Tin
Contact Base Material	Copper Alloy
Contact Configuration	6P + 7P + 18P
Contact Current Rating (Max)	1.3 A, 1.5 A, 2 A

### Termination Features

Termination Post & Tail Length	1.5 mm[.059 in]
Termination Method to Printed Circuit Board	Surface Mount, Through Hole - Solder

### Mechanical Attachment

PCB Mount Retention Feature Length	1.5 mm[.059 in]
Mating Alignment Type	Polarization
PCB Mount Retention	With
PCB Mount Retention Type	Solder Peg
PCB Mount Location	Top
Connector Mounting Type	Board Mount

### Housing Features

Housing Material	High Temperature Thermoplastic
Housing Color	Black
Centerline (Pitch)	.8 mm, 1 mm, 1.27 mm[.031 in][.039 in][.05 in]

### Dimensions

PCB Thickness (Recommended)	1 mm[.039 in]
Height Above PC Board	5.4 mm[.212 in]

### Usage Conditions

High Temperature Housing	Yes
Operating Temperature Range	-40 – 85 °C[-40 – 185 °F][-40 – 185 °F]

### Operation/Application

Circuit Application	Power & Signal
---------------------	----------------

### Industry Standards

UL Flammability Rating	UL 94V-0
------------------------	----------

### Packaging Features



Packaging Quantity	300
Packaging Method	Tape & Reel

### Product Compliance

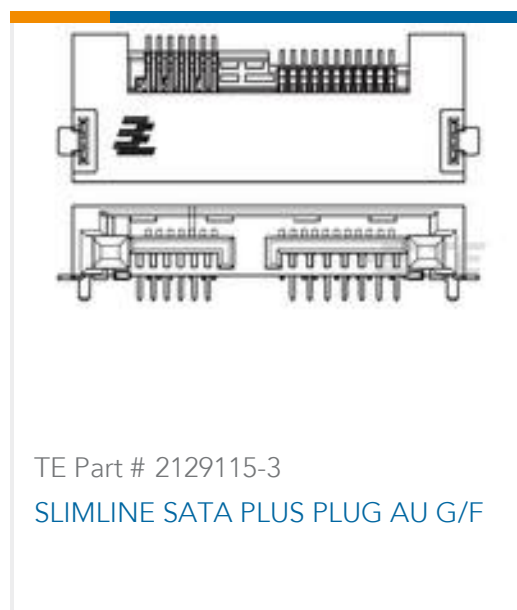
[For compliance documentation, visit the product page on TE.com>](#)

EU RoHS Directive 2011/65/EU	Not Yet Reviewed
EU ELV Directive 2000/53/EC	Compliant
China RoHS 2 Directive MIIT Order No 32, 2016	No Restricted Materials Above Threshold
EU REACH Regulation (EC) No. 1907/2006	Current ECHA Candidate List: JAN 2021 (211) Not Yet Reviewed
Halogen Content	Low Halogen - Br, Cl, F, I < 900 ppm per homogenous material. Also BFR/CFR/PVC Free
Solder Process Capability	Reflow solder capable to 260°C

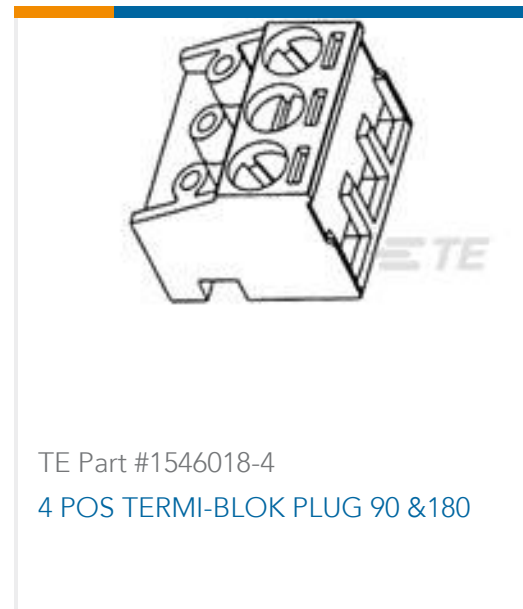
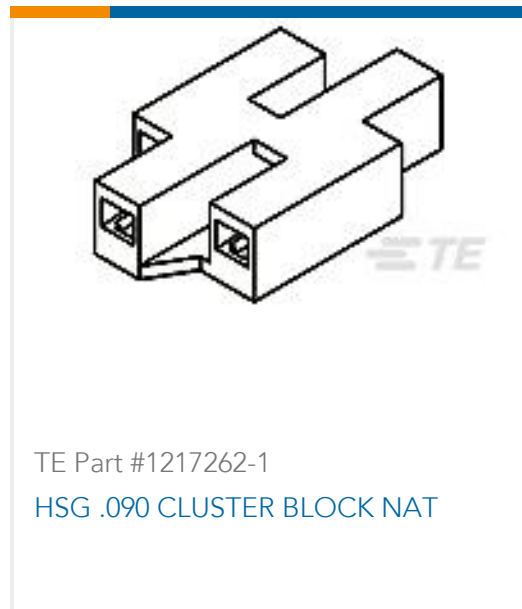
#### Product Compliance Disclaimer

This information is provided based on reasonable inquiry of our suppliers and represents our current actual knowledge based on the information they provided. This information is subject to change. The part numbers that TE has identified as EU RoHS compliant have a maximum concentration of 0.1% by weight in homogenous materials for lead, hexavalent chromium, mercury, PBB, PBDE, DBP, BBP, DEHP, DIBP, and 0.01% for cadmium, or qualify for an exemption to these limits as defined in the Annexes of Directive 2011/65/EU (RoHS2). Finished electrical and electronic equipment products will be CE marked as required by Directive 2011/65/EU. Components may not be CE marked. Additionally, the part numbers that TE has identified as EU ELV compliant have a maximum concentration of 0.1% by weight in homogenous materials for lead, hexavalent chromium, and mercury, and 0.01% for cadmium, or qualify for an exemption to these limits as defined in the Annexes of Directive 2000/53/EC (ELV). Regarding the REACH Regulations, TE's information on SVHC in articles for this part number is still based on the European Chemical Agency (ECHA) 'Guidance on requirements for substances in articles' (Version: 2, April 2011), applying the 0.1% weight on weight concentration threshold at the finished product level. TE is aware of the European Court of Justice ruling of September 10th, 2015 also known as O5A (Once An Article Always An Article) stating that, in case of 'complex object', the threshold for a SVHC must be applied to both the product as a whole and simultaneously to each of the articles forming part of its composition. TE has evaluated this ruling based on the new ECHA "Guidance on requirements for substances in articles" (June 2017, version 4.0) and will be updating its statements accordingly.

### Compatible Parts



### Customers Also Bought



## Documents

### Product Drawings

#### PLUG ASSY, SLIMLINE SATA PLUS

English

### CAD Files

#### 3D PDF

3D

#### Customer View Model

[ENG\\_CVM\\_CVM\\_2129115-1\\_B.2d\\_dxf.zip](#)

English

#### Customer View Model

[ENG\\_CVM\\_CVM\\_2129115-1\\_B.3d\\_igs.zip](#)

English

#### Customer View Model

[ENG\\_CVM\\_CVM\\_2129115-1\\_B.3d\\_stp.zip](#)

English

By downloading the CAD file I accept and agree to the [Terms and Conditions](#) of use.

## Product Specifications



[Product Specification](#)

English

[Product Specification](#)

English