

LM137QML 3-Terminal Adjustable Negative Regulators

Check for Samples: [LM137QML](#)

FEATURES

- Output Voltage Adjustable from $-37V$ to $-1.2V$
- 1.5A Output Current Guaranteed, $-55^{\circ}C$ to $+150^{\circ}C$
- Line Regulation Typically 0.01%/V
- Load Regulation Typically 0.3%
- Excellent Thermal Regulation, 0.002%/W
- 77 dB Ripple Rejection
- Excellent Rejection of Thermal Transients
- 50 ppm/ $^{\circ}C$ Temperature Coefficient
- Temperature-independent Current Limit
- Internal Thermal Overload Protection
- Standard 3-lead Transistor Package
- Output is Short Circuit Protected

DESCRIPTION

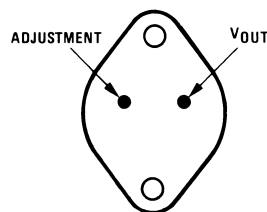
The LM137 are adjustable 3-terminal negative voltage regulators capable of supplying in excess of $-1.5A$ over an output voltage range of $-37V$ to $-1.2V$. These regulators are exceptionally easy to apply, requiring only 2 external resistors to set the output voltage and 1 output capacitor for frequency compensation. The circuit design has been optimized for excellent regulation and low thermal transients. Further, the LM137 series features internal current limiting, thermal shutdown and safe-area compensation, making them virtually blowout-proof against overloads.

The LM137 serve a wide variety of applications including local on-card regulation, programmable-output voltage regulation or precision current regulation. The LM137 are ideal complements to the LM117 adjustable positive regulators.

Table 1. LM137 Series Packages and Power Capability

| Device | Package | Rated Power Dissipation | Design Load Current |
|--------|-------------|-------------------------|---------------------|
| LM137 | TO-3 (K) | 20W | 1.5A |
| | TO-39 (NDT) | 2W | 0.5A |

Connection Diagram



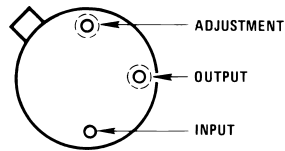
NOTE: Case is Input

Figure 1. TO-3, Bottom View Metal Can Package



Please be aware that an important notice concerning availability, standard warranty, and use in critical applications of Texas Instruments semiconductor products and disclaimers thereto appears at the end of this data sheet.

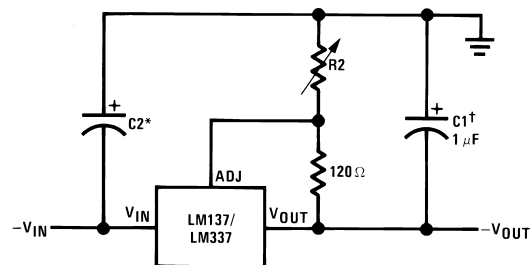
All trademarks are the property of their respective owners.



NOTE: Case Is Input

**Figure 2. TO-39, Bottom View
Metal Can Package**

Typical Applications



Full output current not available at high input-output voltages

$$-V_{OUT} = -1.25V \left(1 + \frac{R_2}{120} \right) + (-I_{ADJ} \times R_2)$$

†C1 = 1 μ F solid tantalum or 10 μ F aluminum electrolytic required for stability

*C2 = 1 μ F solid tantalum is required only if regulator is more than 4" from power-supply filter capacitor

Output capacitors in the range of 1 μ F to 1000 μ F of aluminum or tantalum electrolytic are commonly used to provide improved output impedance and rejection of transients

Figure 3. Adjustable Negative Voltage Regulator



These devices have limited built-in ESD protection. The leads should be shorted together or the device placed in conductive foam during storage or handling to prevent electrostatic damage to the MOS gates.

Absolute Maximum Ratings⁽¹⁾

| | | | |
|---------------------------------------|-----------------|---|---------|
| Power Dissipation ⁽²⁾ | | Internally Limited | |
| Input-Output Voltage Differential | | 40V | |
| Operating Ambient Temperature Range | | -55°C ≤ T _A ≤ +125°C | |
| Operating Junction Temperature Range | | -55°C ≤ T _J ≤ +150°C | |
| Storage Temperature | | -65°C ≤ T _A ≤ +150°C | |
| Maximum Junction Temperature | | 150°C | |
| Lead Temperature (Soldering, 10 sec.) | | 300°C | |
| Minimum Input Voltage | | -41.25V | |
| Maximum Power Dissipation (@25°C) | T0-3 | 28 Watts | |
| | T0-39 | 2.5 Watts | |
| Thermal Resistance | θ _{JA} | T0-3 Metal Can (Still Air) | 40°C/W |
| | | T0-3 Metal Can (500LF/Min Air Flow) | 14°C/W |
| | | T0-39 Metal Can (Still Air @ 0.5W) | 174°C/W |
| | | T0-39 Metal Can (500LF/Min Air Flow @ 0.5W) | 64°C/W |
| | θ _{JC} | T0-3 | 4°C/W |
| | | T0-39 Metal Can (@ 1.0W) | 15°C/W |
| Package Weight (typical) | T0-3 | 12,750mg | |
| | T0-39 Metal Can | 955mg | |
| ESD Rating ⁽³⁾ | | 4000V | |

- (1) Absolute Maximum Ratings indicate limits beyond which damage to the device may occur. Operating Ratings indicate conditions for which the device is functional, but do not guarantee specific performance limits. For ensured specifications and test conditions, see the Electrical Characteristics. The ensured specifications apply only for the test conditions listed. Some performance characteristics may degrade when the device is not operated under the listed test conditions.
- (2) The maximum power dissipation must be derated at elevated temperatures and is dictated by T_{Jmax} (maximum junction temperature), θ_{JA} (package junction to ambient thermal resistance), and T_A (ambient temperature). The maximum allowable power dissipation at any temperature is P_{Dmax} = (T_{Jmax} - T_A)/θ_{JA} or the number given in the Absolute Maximum Ratings, whichever is lower.
- (3) Human body model, 100pF discharged through 1.5KΩ

Recommended Operating Conditions

| | |
|---------------------|---------------------------------|
| T _A | -55°C ≤ T _A ≤ +125°C |
| Input Voltage Range | -41.25V to -4.25V |

Quality Conformance Inspection
Table 2. Mil-Std-883, Method 5005 — Group A⁽¹⁾

| Subgroup | Description | Temp (°C) |
|----------|---------------------|-----------|
| 1 | Static tests at | +25 |
| 2 | Static tests at | +125 |
| 3 | Static tests at | -55 |
| 4 | Dynamic tests at | +25 |
| 5 | Dynamic tests at | +125 |
| 6 | Dynamic tests at | -55 |
| 7 | Functional tests at | +25 |
| 8A | Functional tests at | +125 |
| 8B | Functional tests at | -55 |
| 9 | Switching tests at | +25 |
| 10 | Switching tests at | +125 |
| 11 | Switching tests at | -55 |

- (1) Group "A" sample only, test at all temps.

LM137H 883 Electrical Characteristics DC Parameters

The following conditions apply, unless otherwise specified. $V_{IN} = -4.25V$, $I_L = 8mA$, $V_{OUT} = V_{Ref}^{(1)(2)}$

| Symbol | Parameter | Conditions | Notes | Min | Max | Units | Sub-groups |
|-----------------------------|--|---|-------|--------|--------|---------------|------------|
| V_{Ref} | Reference Voltage | | | -1.275 | -1.225 | V | 1 |
| | | | | -1.3 | -1.2 | V | 2, 3 |
| | | $V_{IN} = -42V$ | | -1.275 | -1.225 | V | 1 |
| | | $V_{IN} = -41.3V$ | | -1.3 | -1.2 | V | 2, 3 |
| I_Q | Minimum Load Current | $V_{OUT} = -1.7V$ | | | 3.0 | mA | 1, 2, 3 |
| | | $V_{OUT} = -1.7V$, $V_{IN} = -11.75V$ | | | 3.0 | mA | 1, 2, 3 |
| | | $V_{OUT} = -1.7V$, $V_{IN} = -42V$ | | | 5.0 | mA | 1 |
| | | $V_{OUT} = -1.7V$, $V_{IN} = -41.3V$ | | | 5.0 | mA | 2, 3 |
| R_{Line} | Line Regulation | $-42V \leq V_{IN} \leq -4.25V$ | | -9.0 | 9.0 | mV | 1 |
| | | $-41.3V \leq V_{IN} \leq -4.25V$ | | -23 | 23 | mV | 2, 3 |
| R_{Load} | Load Regulation | $5mA \leq I_L \leq 500mA$, $V_{IN} = -6.25V$ | | -25 | 25 | mV | 1, 2, 3 |
| | | $5mA \leq I_L \leq 500mA$, $V_{IN} = -14.5V$ | | -25 | 25 | mV | 1 |
| | | $5mA \leq I_L \leq 150mA$, $V_{IN} = -40V$ | | -25 | 25 | mV | 1, 2, 3 |
| I_{Adj} | Adjustment Pin Current | $I_L = 5mA$ | | | 100 | μA | 1, 2, 3 |
| | | $V_{IN} = -42V$ | | | 100 | μA | 1 |
| | | $V_{IN} = -41.3V$ | | | 100 | μA | 2, 3 |
| $\Delta I_{Adj} / V_{Line}$ | Adjust Pin Current Change vs. Line Voltage | $-42V \leq V_{IN} \leq -4.25V$, $I_L = 5mA$ | | -5.0 | 5.0 | μA | 1 |
| | | $-41.3V \leq V_{IN} \leq -4.25V$, $I_L = 5mA$ | | -5.0 | 5.0 | μA | 2, 3 |
| $\Delta I_{Adj} / I_{Load}$ | Adjust Pin Current Change vs. Load Current | $5mA \leq I_L \leq 500mA$, $V_{IN} = -6.5V$ | | -5.0 | 5.0 | μA | 1, 2, 3 |
| θ_R | Thermal Regulation | $V_{IN} = -14.5V$, $I_L = 500mA$, $t = 10mS$ | | -5.0 | 5.0 | mV | 1 |
| | | $V_{IN} = -14.5V$, $I_L = 5mA$, $t = 10mS$ | | -5.0 | 5.0 | mV | 1 |
| θ_{JC} | Thermal Resistance | | (3) | | 15 | $^{\circ}C/W$ | 1 |
| I_{CL} | Current Limit | $V_{IN} = -5V$ | | -1.8 | -0.5 | A | 1, 2, 3 |
| | | $V_{IN} = -40V$ | | -0.65 | -0.15 | A | 1, 2, 3 |
| V_O | Output Voltage | | | -1.28 | -1.22 | V | 1 |
| | | | | -1.3 | -1.2 | V | 2, 3 |

(1) $V_{IN} = -41.3V$ at $+125^{\circ}C$ and $-55^{\circ}C$

(2) $-41.3V \leq V_{IN} \leq -4.25V$ at $+125^{\circ}C$ and $-55^{\circ}C$

(3) Ensured parameter, not tested.

LM137H 883 Electrical Characteristics AC Parameters

| | | | | | | | |
|-------|------------------------|--|-----------|----|--|----|---------|
| R_R | Ripple Rejection Ratio | $V_{IN} = -6.25V$, $V_{OUT} = V_{Ref}$, $I_L = 125mA$, $e_i = 1V_{RMS}$, $F = 120Hz$ | (1)(2)(1) | 66 | | dB | 4, 5, 6 |
|-------|------------------------|--|-----------|----|--|----|---------|

(1) Bench test, refer to (SG)RPI-3-362.

(2) Test at $+25^{\circ}C$, ensured but not tested at $+125^{\circ}C$ and $-55^{\circ}C$

LM137K 883 Electrical Characteristics DC Parameters

 The following conditions apply, unless otherwise specified. $V_{IN} = -4.25V$, $I_L = 8mA$, $V_{OUT} = V_{Ref}^{(1)(2)}$

| Symbol | Parameter | Conditions | Notes | Min | Max | Units | Sub-groups |
|-----------------------------|--|---|-------|--------|--------|---------------|------------|
| V_{Ref} | Reference Voltage | | | -1.275 | -1.225 | V | 1 |
| | | | | -1.3 | -1.2 | V | 2, 3 |
| | | $V_{IN} = -42V$ | | -1.275 | -1.225 | V | 1 |
| | | $V_{IN} = -41.3V$ | | -1.3 | -1.2 | V | 2, 3 |
| I_Q | Minimum Load Current | $V_{OUT} = -1.7V$ | | | 3.0 | mA | 1, 2, 3 |
| | | $V_{OUT} = -1.7V, V_{IN} = -11.75V$ | | | 3.0 | mA | 1, 2, 3 |
| | | $V_{OUT} = -1.7V, V_{IN} = -42V$ | | | 5.0 | mA | 1 |
| | | $V_{OUT} = -1.7V, V_{IN} = -41.3V$ | | | 5.0 | mA | 2, 3 |
| R_{Line} | Line Regulation | $-42V \leq V_{IN} \leq -4.25V$ | | -9.0 | 9.0 | mV | 1 |
| | | $-41.3V \leq V_{IN} \leq -4.25V$ | | -23 | 23 | mV | 2, 3 |
| R_{Load} | Load Regulation | $V_{IN} = -6.25V, 8mA \leq I_L \leq 1.5A$ | | -25 | 25 | mV | 1, 2, 3 |
| | | $V_{IN} = -14.5V, 8mA \leq I_L \leq 1.5A$ | | -25 | 25 | mV | 1 |
| | | $V_{IN} = -40V, 8mA \leq I_L \leq 300mA$ | | -25 | 25 | mV | 1 |
| | | $V_{IN} = -40V, 8mA \leq I_L \leq 250mA$ | | -25 | 25 | mV | 2, 3 |
| I_{Adj} | Adjustment Pin Current | | | | 100 | μA | 1, 2, 3 |
| | | $V_{IN} = -42V$ | | | 100 | μA | 1 |
| | | $V_{IN} = -41.3V$ | | | 100 | μA | 2, 3 |
| $\Delta I_{Adj} / V_{Line}$ | Adjust Pin Current Change vs. Line Voltage | $-42V \leq V_{IN} \leq -4.25V$ | | -5.0 | 5.0 | μA | 1 |
| | | $-41.3V \leq V_{IN} \leq -4.25V$ | | -5.0 | 5.0 | μA | 2, 3 |
| $\Delta I_{Adj} / I_{Load}$ | Adjust Pin Current Change vs. Load Current | $8mA \leq I_L \leq 1.5A, V_{IN} = -6.25V$ | | -5.0 | 5.0 | μA | 1, 2, 3 |
| V_{Rth} | Thermal Regulation | $V_{IN} = -14.5V, I_L = 1.5mA, t = 10mS$ | | -5.0 | 5.0 | mV | 1 |
| | | $V_{IN} = -14.5V, I_L = 8mA, t = 10mS$ | | -5.0 | 5.0 | mV | 1 |
| θ_{JC} | Thermal Resistance | | (3) | | 4.0 | $^{\circ}C/W$ | 1 |
| I_{CL} | Current Limit | $V_{IN} = -5V$ | | -3.5 | -1.5 | A | 1, 2, 3 |
| | | $V_{IN} = -40V$ | | -1.2 | -0.24 | A | 1, 2, 3 |

 (1) $V_{IN} = -41.3V$ at $+125^{\circ}C$ and $-55^{\circ}C$

 (2) $-41.3V \leq V_{IN} \leq -4.25V$ at $+125^{\circ}C$ and $-55^{\circ}C$

(3) Ensured parameter, not tested.

LM137K 883 Electrical Characteristics AC Parameters

| Symbol | Parameter | Conditions | Notes | Min | Max | Units | Sub-groups |
|--------|------------------------|---|-----------|-----|-----|-------|------------|
| R_R | Ripple Rejection Ratio | $V_{IN} = -6.25V, V_{OUT} = V_{Ref}, f = 120Hz, I_L = 0.5A, e_i = 1V_{RMS}$ | (1)(2)(1) | 66 | | dB | 4, 5, 6 |

(1) Bench test, refer to (SG)RPI-3-362.

 (2) Test at $+25^{\circ}C$, ensured but not tested at $+125^{\circ}C$ and $-55^{\circ}C$

LM137H RH Electrical Characteristics DC Parameters

The following conditions apply, unless otherwise specified. ⁽¹⁾

| Symbol | Parameter | Conditions | Notes | Min | Max | Units | Sub-groups |
|--|--|--|----------------|--------|--------|---------|------------|
| V_{OUT} | Output Voltage | $V_{IN} = -4.25V, I_L = 5mA$ | | -1.275 | -1.225 | V | 1 |
| | | | | -1.3 | -1.2 | V | 2, 3 |
| | | $V_{IN} = -4.25V, I_L = 500mA$ | | -1.275 | -1.225 | V | 1 |
| | | | | -1.3 | -1.2 | V | 2, 3 |
| | | $V_{IN} = -41.25V, I_L = 5mA$ | | -1.275 | -1.225 | V | 1 |
| | | | | -1.3 | -1.2 | V | 2, 3 |
| $V_{IN} = -41.25V, I_L = 50mA$ | | -1.275 | -1.225 | V | 1 | | |
| | | -1.3 | -1.2 | V | 2, 3 | | |
| $V_{R Line}$ | Line Regulation | $V_{IN} = -41.25V \text{ to } -4.25V, I_L = 5mA$ | | -9.0 | 9.0 | mV | 1 |
| | | | | -23 | 23 | mV | 2, 3 |
| $V_{R Load}$ | Load Regulation | $V_{IN} = -6.25V, I_L = 5mA \text{ to } 500mA$ | | -12 | 12 | mV | 1 |
| | | | | -24 | 24 | mV | 2, 3 |
| | | $V_{IN} = -41.25V, I_L = 5mA \text{ to } 50mA$ | | -6.0 | 6.0 | mV | 1 |
| | | | | -12 | 12 | mV | 2, 3 |
| $V_{IN} = -6.25V, I_L = 5mA \text{ to } 200mA$ | | -6.0 | 6.0 | mV | 1 | | |
| | | -12 | 12 | mV | 2, 3 | | |
| V_{Rth} | Thermal Regulation | $V_{IN} = -14.6V, I_L = 500mA$ | | -5.0 | 5.0 | mV | 1 |
| I_{Adj} | Adjust Pin Current | $V_{IN} = -4.25V, I_L = 5mA$ | | 25 | 100 | μA | 1, 2, 3 |
| | | $V_{IN} = -41.25V, I_L = 5mA$ | | 25 | 100 | μA | 1, 2, 3 |
| $\Delta I_{Adj} / V_{Line}$ | Adjust Pin Current Change vs. Line Voltage | $V_{IN} = -41.25V \text{ to } -4.25V, I_L = 5mA$ | | -5.0 | 5.0 | μA | 1, 2, 3 |
| $\Delta I_{Adj} / I_{Load}$ | Adjust Pin Current Change vs. Load Current | $V_{IN} = -6.25V, I_L = 5mA \text{ to } 500mA$ | | -5.0 | 5.0 | μA | 1, 2, 3 |
| I_{OS} | Output Short Circuit Current | $V_{IN} = -4.25V$ | | 0.5 | 1.8 | A | 1, 2, 3 |
| | | $V_{IN} = -40V$ | | 0.05 | 0.5 | A | 1, 2, 3 |
| $V_{OUT Recovery}$ | Output Voltage Recovery After Output Short Circuit Current | $V_{IN} = -4.25V$ | | -1.275 | -1.225 | V | 1 |
| | | | | -1.3 | -1.2 | V | 2, 3 |
| | | $V_{IN} = -40V$ | | -1.275 | -1.225 | V | 1 |
| | | | | -1.3 | -1.2 | V | 2, 3 |
| I_Q | Minimum Load Current | $V_{IN} = -4.25V$ | | 0.2 | 3.0 | mA | 1, 2, 3 |
| | | $V_{IN} = -14.25V$ | | 0.2 | 3.0 | mA | 1, 2, 3 |
| | | $V_{IN} = -41.25V$ | | 1.0 | 5.0 | mA | 1, 2, 3 |
| V_{Start} | Voltage Start-up | $V_{IN} = -4.25V, I_L = 500mA$ | | -1.275 | -1.225 | V | 1 |
| | | | | -1.3 | -1.2 | V | 2, 3 |
| V_{OUT} | Output Voltage | $V_{IN} = -6.25V, I_L = 5mA$ | ⁽²⁾ | -1.3 | -1.2 | V | 2 |

- (1) Pre and post irradiation limits are identical to those listed under AC and DC electrical characteristics except as listed in the Post Radiation Limits Table. These parts may be dose rate sensitive in a space environment and demonstrate enhanced low dose rate effect. Radiation end point limits for the noted parameters are specified only for the conditions as specified in Mil-Std-883, Method 1019.5, Condition A.
- (2) Tested at +125°C ; correlated to +150°C

LM137H RH Electrical Characteristics AC Parameters

The following conditions apply, unless otherwise specified.

(1)

| Symbol | Parameter | Conditions | Notes | Min | Max | Units | Sub-groups |
|--|-------------------------|---|-------|-----|-----|---------------|------------|
| $\frac{\Delta V_{IN}}{\Delta V_{OUT}}$ | Ripple Rejection | $V_{IN} = -6.25V, I_L = 125mA,$ $e_i = 1V_{RMS}$ at 2400Hz | | 48 | | dB | 9 |
| V_{NO} | Output Noise Voltage | $V_{IN} = -6.25V, I_L = 50mA$ | | | 120 | μV_{RMS} | 9 |
| $\frac{\Delta V_{OUT}}{\Delta V_{IN}}$ | Line Transient Response | $V_{IN} = -6.25V, V_{Pulse} = -1V,$ $I_L = 50mA$ | | | 80 | mV/V | 9 |
| $\Delta V_O / \Delta I_L$ | Load Transient Response | $V_{IN} = -6.25V, I_L = 50mA,$ $\Delta I_L = 200mA$ | (2) | | 60 | mV | 9 |

(1) Pre and post irradiation limits are identical to those listed under AC and DC electrical characteristics except as listed in the Post Radiation Limits Table. These parts may be dose rate sensitive in a space environment and demonstrate enhanced low dose rate effect. Radiation end point limits for the noted parameters are specified only for the conditions as specified in Mil-Std-883, Method 1019.5, Condition A.

(2) Limit of 0.3mV/mA is equivalent to 60mV

LM137H RH Electrical Characteristics DC Parameters Drift Values

The following conditions apply, unless otherwise specified.

(1)

Delta calculations performed on QMLV devices at group B, subgroup 5 only.

| Symbol | Parameter | Conditions | Notes | Min | Max | Units | Sub-groups |
|--------------|--------------------|---|-------|-------|------|---------|------------|
| V_{OUT} | Output Voltage | $V_{IN} = -4.25V, I_L = 5mA$ | | -0.01 | 0.01 | V | 1 |
| | | $V_{IN} = -4.25V, I_L = 500mA$ | | -0.01 | 0.01 | V | 1 |
| | | $V_{IN} = -41.25V, I_L = 5mA$ | | -0.01 | 0.01 | V | 1 |
| | | $V_{IN} = -41.25V, I_L = 50mA$ | | -0.01 | 0.01 | V | 1 |
| $V_{R Line}$ | Line Regulation | $V_{IN} = -41.25V$ to $-4.25V, I_L = 5mA$ | | -4.0 | 4.0 | mV | 1 |
| I_{Adj} | Adjust Pin Current | $V_{IN} = -4.25V, I_L = 5mA$ | | -10 | 10 | μA | 1 |
| | | $V_{IN} = -41.25V, I_L = 5mA$ | | -10 | 10 | μA | 1 |

(1) Pre and post irradiation limits are identical to those listed under AC and DC electrical characteristics except as listed in the Post Radiation Limits Table. These parts may be dose rate sensitive in a space environment and demonstrate enhanced low dose rate effect. Radiation end point limits for the noted parameters are specified only for the conditions as specified in Mil-Std-883, Method 1019.5, Condition A.

LM137H RH Electrical Characteristics DC Parameters Post Radiation Limits +25°C 5962P9951701VXA⁽¹⁾

The following conditions apply, unless otherwise specified.

(2)

| Symbol | Parameter | Conditions | Notes | Min | Max | Units | Sub-groups |
|-----------------------------|--|--|-------|-----|-----|---------|------------|
| $\Delta I_{Adj} / V_{Line}$ | Adjust Pin Current Change vs. Line Voltage | $V_{IN} = -41.25V$ to $-4.25V,$ $I_L = 5mA$ | | -20 | 20 | μA | 1 |

(1) Pre Burn-In stress test per RPI-5-025.

(2) Pre and post irradiation limits are identical to those listed under AC and DC electrical characteristics except as listed in the Post Radiation Limits Table. These parts may be dose rate sensitive in a space environment and demonstrate enhanced low dose rate effect. Radiation end point limits for the noted parameters are specified only for the conditions as specified in Mil-Std-883, Method 1019.5, Condition A.

**LM137H RH Electrical Characteristics DC Parameters Post Radiation Limits +25°C
5962P9951708VXA⁽¹⁾**

The following conditions apply, unless otherwise specified.

(2)

| Symbol | Parameter | Conditions | Notes | Min | Max | Units | Sub-groups |
|---|---|--|-------|-------|--------|-------|------------|
| V _{OUT} | Output Voltage | V _{IN} = -41.25V, I _L = 5mA | | -1.30 | -1.225 | V | 1 |
| | | V _{IN} = -41.25V, I _L = 50mA | | -1.30 | -1.225 | V | 1 |
| V _{R Line} | Line Regulation | V _{IN} = -41.25V to -4.25V, I _L = 5mA | | -9.0 | +50 | mV | 1 |
| I _{Adj} | Adjust Pin Current | V _{IN} = -41.25V, I _L = 5mA | | 25 | 140 | μA | 1 |
| Δ I _{Adj} / V _{Line} | Adjust Pin Current Change vs. Line Voltage | V _{IN} = -41.25V to -4.25V, I _L = 5mA | | -70 | +20 | μA | 1 |
| V _{OUT} Recovery | Output Voltage Recovery After Output Short Circuit Current | V _{IN} = -4.25V | | -1.30 | -1.225 | V | 1 |

(1) Pre Burn-In stress test per RPI-5-025.

(2) Pre and post irradiation limits are identical to those listed under AC and DC electrical characteristics except as listed in the Post Radiation Limits Table. These parts may be dose rate sensitive in a space environment and demonstrate enhanced low dose rate effect. Radiation end point limits for the noted parameters are specified only for the conditions as specified in Mil-Std-883, Method 1019.5, Condition A.

APPLICATION INFORMATION

Schematic Diagram

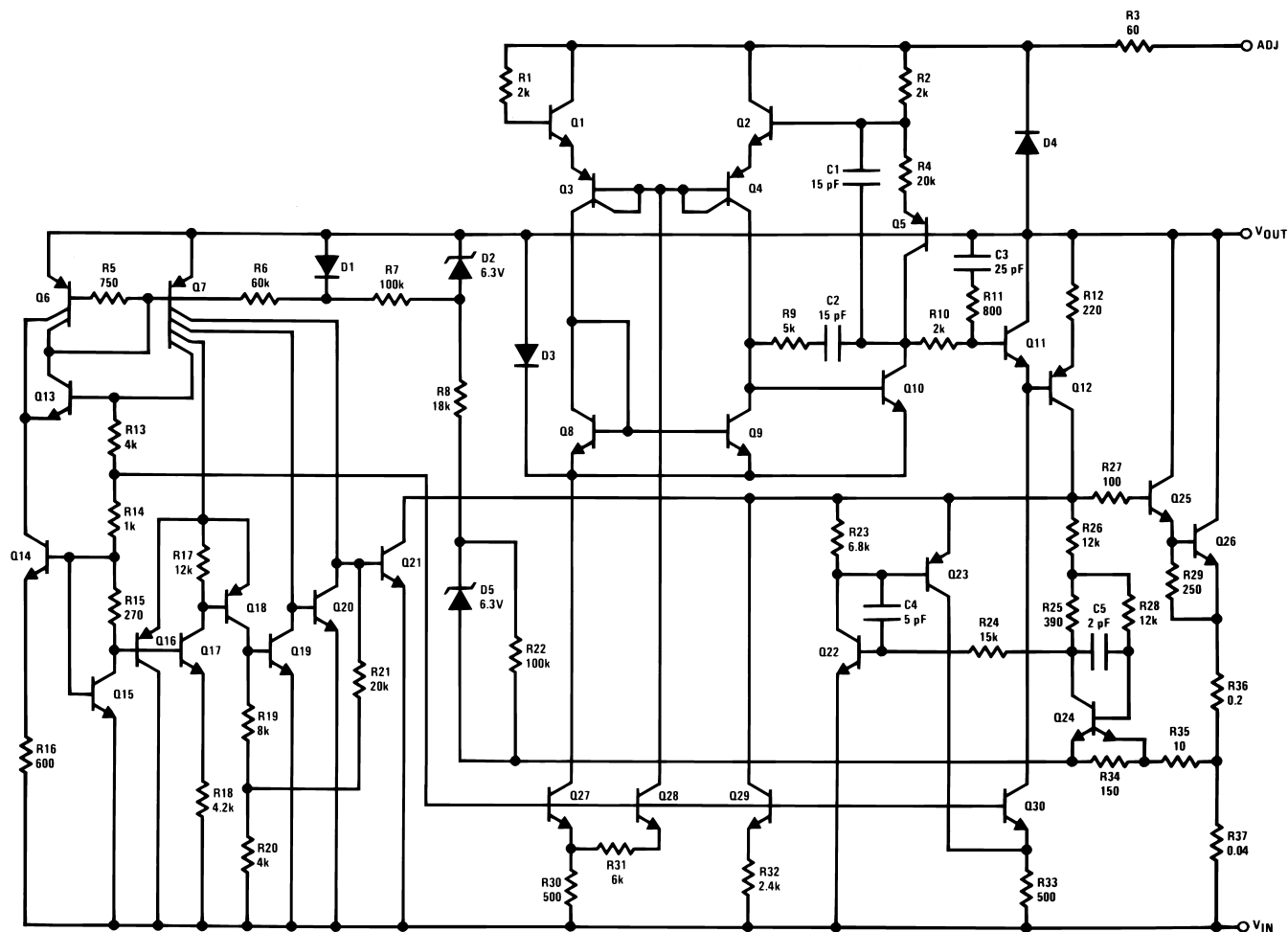
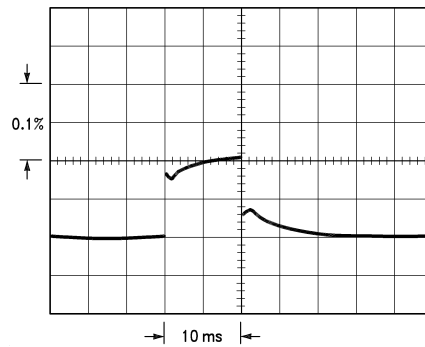


Figure 4. Schematic Diagram

Thermal Regulation

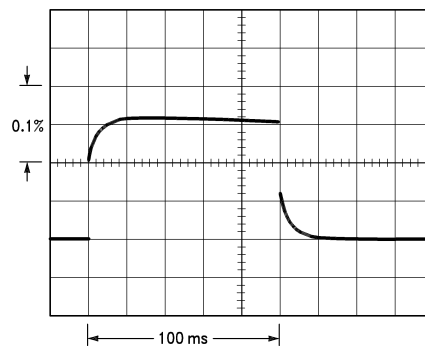
When power is dissipated in an IC, a temperature gradient occurs across the IC chip affecting the individual IC circuit components. With an IC regulator, this gradient can be especially severe since power dissipation is large. Thermal regulation is the effect of these temperature gradients on output voltage (in percentage output change) per Watt of power change in a specified time. Thermal regulation error is independent of electrical regulation or temperature coefficient, and occurs within 5 ms to 50 ms after a change in power dissipation. Thermal regulation depends on IC layout as well as electrical design. The thermal regulation of a voltage regulator is defined as the percentage change of V_{OUT} , per Watt, within the first 10 ms after a step of power is applied. The LM137's specification is 0.02%/W, max.



LM137, $V_{OUT} = -10V$
 $V_{IN} - V_{OUT} = -40V$
 $I_L = 0A \rightarrow 0.25A \rightarrow 0A$
 Vertical sensitivity, 5 mV/div

Figure 5.

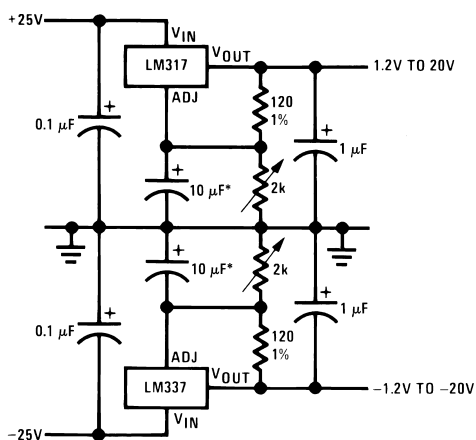
In [Figure 5](#), a typical LM137's output drifts only 3 mV (or 0.03% of $V_{OUT} = -10V$) when a 10W pulse is applied for 10 ms. This performance is thus well inside the specification limit of $0.02\%/W \times 10W = 0.2\%$ max. When the 10W pulse is ended, the thermal regulation again shows a 3 mV step as the LM137 chip cools off. Note that the load regulation error of about 8 mV (0.08%) is additional to the thermal regulation error. In [Figure 6](#), when the 10W pulse is applied for 100 ms, the output drifts only slightly beyond the drift in the first 10 ms, and the thermal error stays well within 0.1% (10 mV).



LM137, $V_{OUT} = -10V$
 $V_{IN} - V_{OUT} = -40V$
 $I_L = 0A \rightarrow 0.25A \rightarrow 0A$
 Horizontal sensitivity, 20 ms/div

Figure 6.

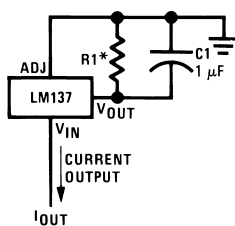
Typical Applications



Full output current not available at high input-output voltages

*The 10 μF capacitors are optional to improve ripple rejection

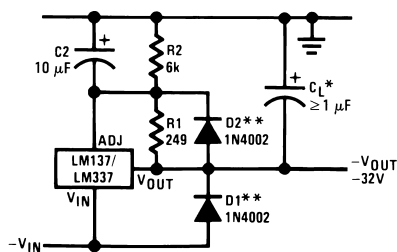
Figure 7. Adjustable Lab Voltage Regulator



$$I_{OUT} = \frac{1.250V}{R1}$$

* $0.8\Omega \leq R1 \leq 120\Omega$

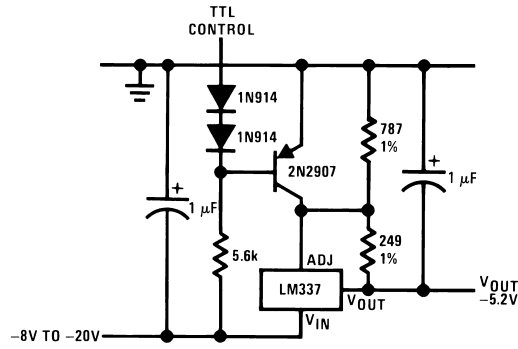
Figure 8. Current Regulator



*When C_L is larger than 20 μF, D1 protects the LM137 in case the input supply is shorted

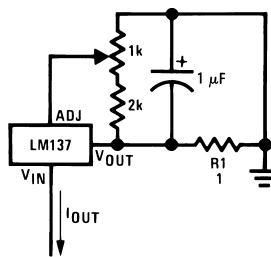
**When C_2 is larger than 10 μF and $-V_{OUT}$ is larger than -25V, D2 protects the LM137 in case the output is shorted

Figure 9. Negative Regulator with Protection Diodes



*Minimum output $\approx -1.3V$ when control input is low

Figure 10. -5.2V Regulator with Electronic Shutdown*



$$I_{OUT} = \left(\frac{1.5V}{R1} \right) \pm 15\% \text{ adjustable}$$

Figure 11. Adjustable Current Regulator

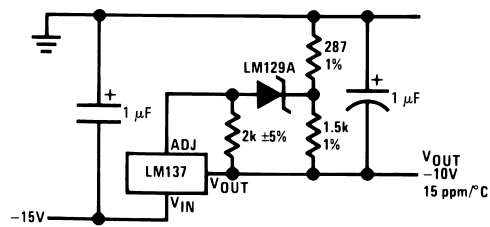


Figure 12. High Stability -10V Regulator

Typical Performance Characteristics

(NDT & K Packages)

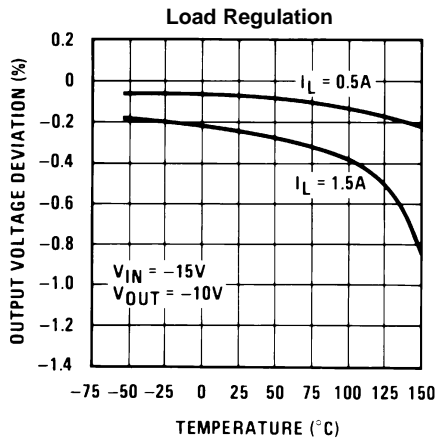


Figure 13.

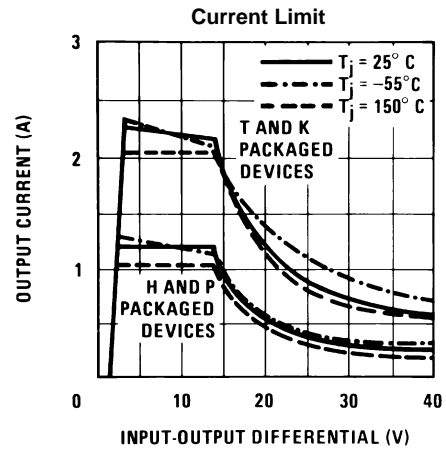


Figure 14.

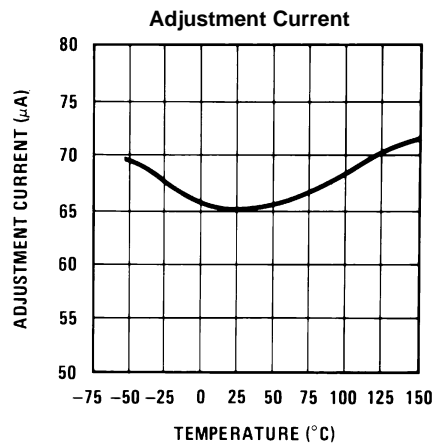


Figure 15.

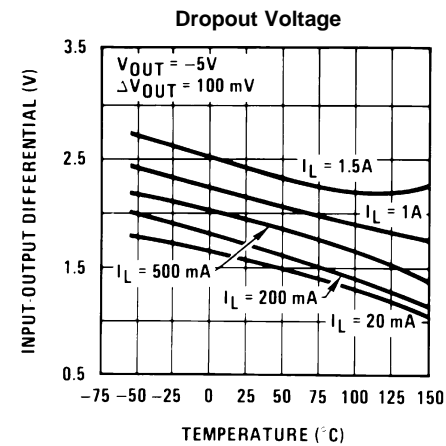


Figure 16.

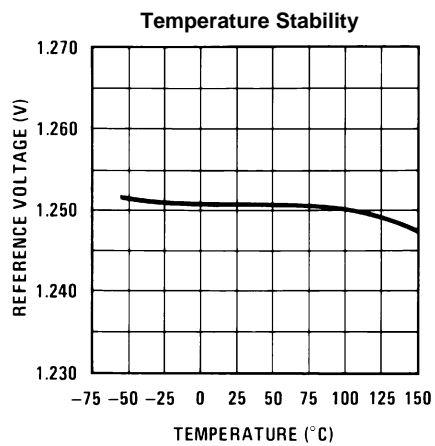


Figure 17.

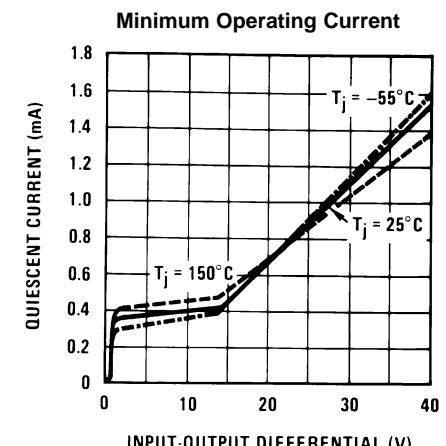


Figure 18.

Typical Performance Characteristics (continued)

(NDT & K Packages)

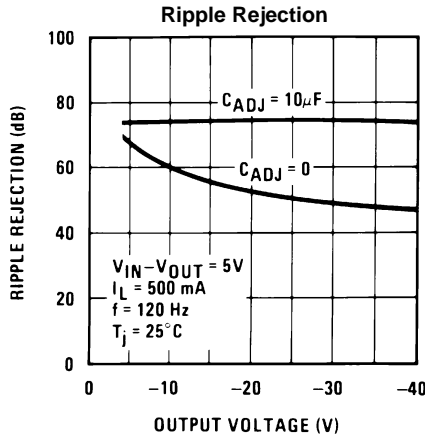


Figure 19.

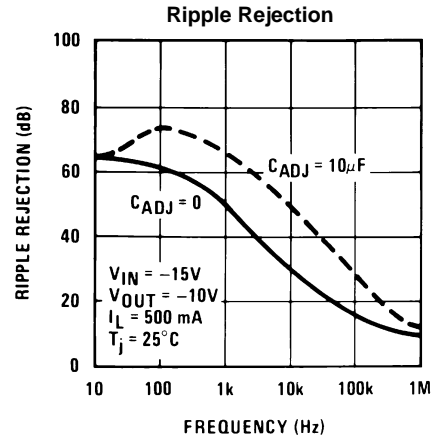


Figure 20.

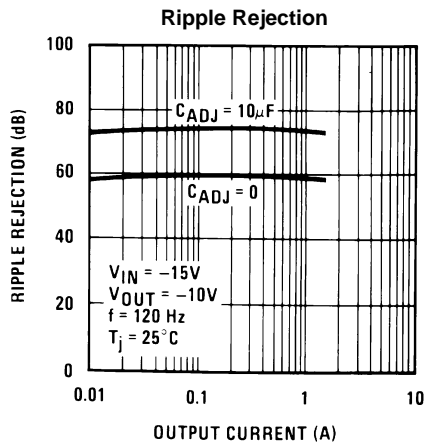


Figure 21.

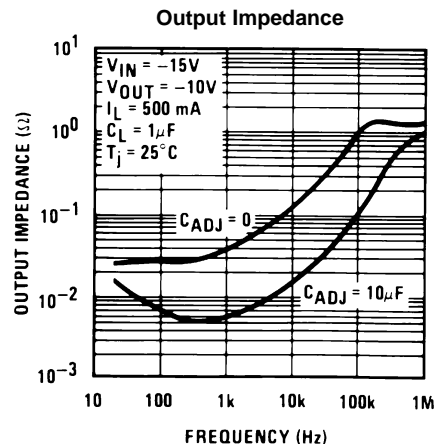


Figure 22.

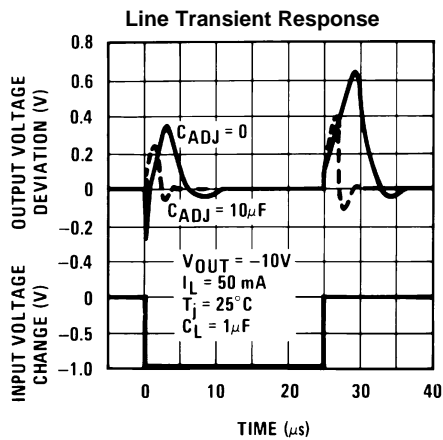


Figure 23.

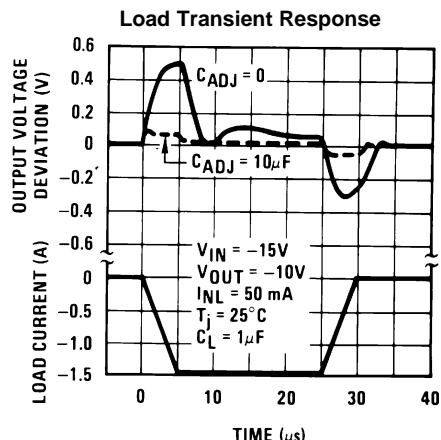


Figure 24.

REVISION HISTORY

| Date Released | Revision | Section | Changes |
|---------------|----------|--|--|
| 12/08/2010 | A | New Release, Corporate format | 3 MDS data sheets converted into one Corp. data sheet format. MNLM137-X, Rev. 0B1, MNLM137-K Rev. 0A0, and MRLM137-X-RH Rev. 2A0. MDS data sheets will be archived. |
| 03/16/2012 | B | Ordering Information, LM137K 883 Electrical Characteristics DC Parameters., LM137H RH Electrical Characteristics DC Parameters., DC Parameters Post Radiation Limits +25 Deg. C for 701VXA., DC Parameters Post Radiation Limits +25 Deg. C for 708VXA | Ordering Info — Added new LM137H1PQMLV., For the DC Parameters of LM137K 883 and LM137 RH, widened columns to accommodate correct limits. Added to the HEADER of DC Parameters — Post Radiation Limits 5962P9951701VXA. Added the HEADER and TABLE of DC Parameters — Post Radiation Limits 5962P9951708VXA. Rev A will be archived. |
| 04/17/2013 | C | | Changed layout of National Data Sheet to TI format. |

PACKAGING INFORMATION

| Orderable Device | Status (1) | Package Type | Package Drawing | Pins | Package Qty | Eco Plan (2) | Lead/Ball Finish (6) | MSL Peak Temp (3) | Op Temp (°C) | Device Marking (4/5) | Samples |
|------------------|---------------|--------------|--------------------|------|----------------|-----------------|-------------------------|----------------------|--------------|---|-------------------------|
| LM137H/883 | ACTIVE | TO | NDT | 3 | 20 | TBD | Call TI | Call TI | -55 to 125 | LM137H/883 Q ACO LM137H/883 Q >T | Samples |
| LM137H1PQMLV | ACTIVE | | | | | TBD | Call TI | Call TI | -55 to 125 | LM137H1PQMLV 5962P9951708VXA Q ACO 5962P9951708VXA Q >T | Samples |
| LM137K/883 | ACTIVE | TO | K | 2 | 50 | TBD | Call TI | Call TI | -55 to 125 | LM137K /883 Q ACO /883 Q >T | Samples |

(1) The marketing status values are defined as follows:

ACTIVE: Product device recommended for new designs.

LIFEBUY: TI has announced that the device will be discontinued, and a lifetime-buy period is in effect.

NRND: Not recommended for new designs. Device is in production to support existing customers, but TI does not recommend using this part in a new design.

PREVIEW: Device has been announced but is not in production. Samples may or may not be available.

OBSOLETE: TI has discontinued the production of the device.

(2) Eco Plan - The planned eco-friendly classification: Pb-Free (RoHS), Pb-Free (RoHS Exempt), or Green (RoHS & no Sb/Br) - please check <http://www.ti.com/productcontent> for the latest availability information and additional product content details.

TBD: The Pb-Free/Green conversion plan has not been defined.

Pb-Free (RoHS): TI's terms "Lead-Free" or "Pb-Free" mean semiconductor products that are compatible with the current RoHS requirements for all 6 substances, including the requirement that lead not exceed 0.1% by weight in homogeneous materials. Where designed to be soldered at high temperatures, TI Pb-Free products are suitable for use in specified lead-free processes.

Pb-Free (RoHS Exempt): This component has a RoHS exemption for either 1) lead-based flip-chip solder bumps used between the die and package, or 2) lead-based die adhesive used between the die and leadframe. The component is otherwise considered Pb-Free (RoHS compatible) as defined above.

Green (RoHS & no Sb/Br): TI defines "Green" to mean Pb-Free (RoHS compatible), and free of Bromine (Br) and Antimony (Sb) based flame retardants (Br or Sb do not exceed 0.1% by weight in homogeneous material)

(3) MSL, Peak Temp. - The Moisture Sensitivity Level rating according to the JEDEC industry standard classifications, and peak solder temperature.

(4) There may be additional marking, which relates to the logo, the lot trace code information, or the environmental category on the device.

(5) Multiple Device Markings will be inside parentheses. Only one Device Marking contained in parentheses and separated by a "~" will appear on a device. If a line is indented then it is a continuation of the previous line and the two combined represent the entire Device Marking for that device.

⁽⁶⁾ Lead/Ball Finish - Orderable Devices may have multiple material finish options. Finish options are separated by a vertical ruled line. Lead/Ball Finish values may wrap to two lines if the finish value exceeds the maximum column width.

Important Information and Disclaimer:The information provided on this page represents TI's knowledge and belief as of the date that it is provided. TI bases its knowledge and belief on information provided by third parties, and makes no representation or warranty as to the accuracy of such information. Efforts are underway to better integrate information from third parties. TI has taken and continues to take reasonable steps to provide representative and accurate information but may not have conducted destructive testing or chemical analysis on incoming materials and chemicals. TI and TI suppliers consider certain information to be proprietary, and thus CAS numbers and other limited information may not be available for release.

In no event shall TI's liability arising out of such information exceed the total purchase price of the TI part(s) at issue in this document sold by TI to Customer on an annual basis.

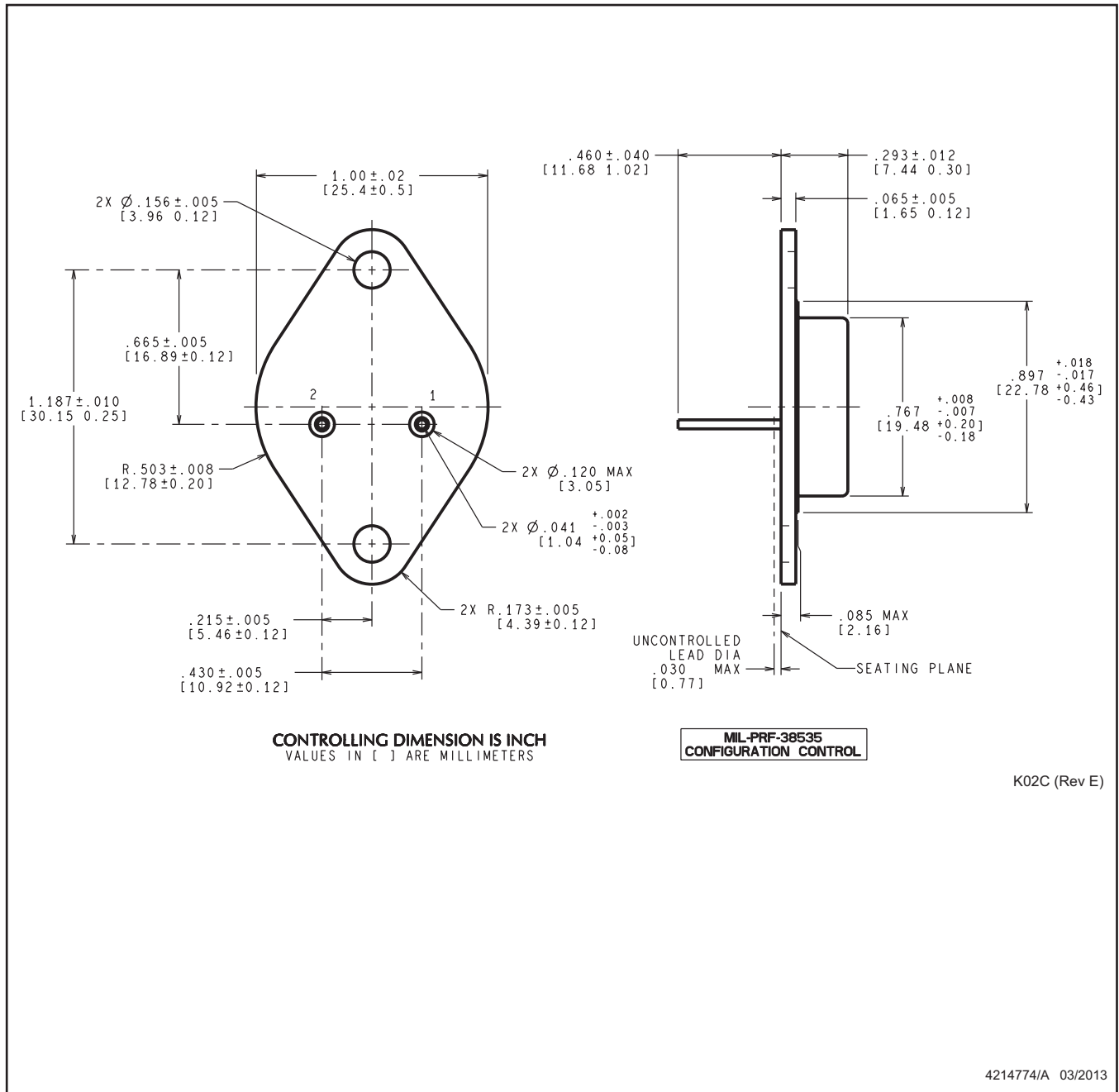
OTHER QUALIFIED VERSIONS OF LM137QML, LM137QML-SP :

- Military: [LM137QML](#)
- Space: [LM137QML-SP](#)

NOTE: Qualified Version Definitions:

- Military - QML certified for Military and Defense Applications
- Space - Radiation tolerant, ceramic packaging and qualified for use in Space-based application

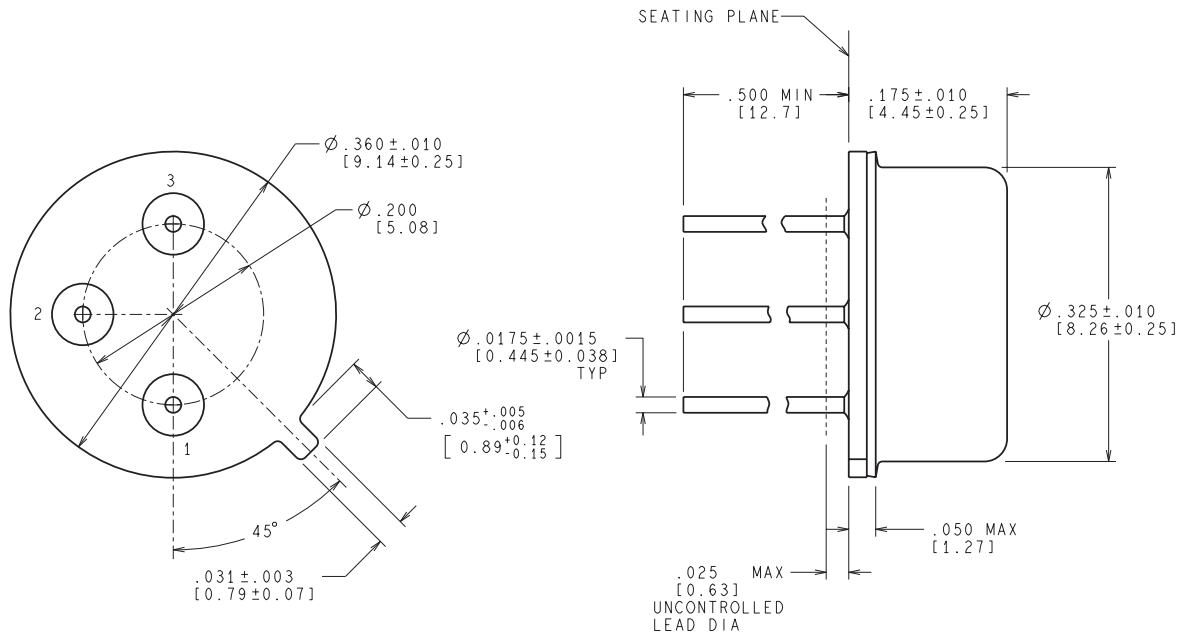
K0002C



NOTES:

1. All linear dimensions are in millimeters. Dimensions in parenthesis are for reference only. Dimensioning and tolerancing per ASME Y14.5M.
2. This drawing is subject to change without notice.
3. Leads not to be bent greater than 15°

NDT0003A



CONTROLLING DIMENSION IS INCH
VALUES IN [] ARE MILLIMETERS

MIL-PRF-38535
CONFIGURATION CONTROL

H03A (Rev D)

IMPORTANT NOTICE

Texas Instruments Incorporated and its subsidiaries (TI) reserve the right to make corrections, enhancements, improvements and other changes to its semiconductor products and services per JESD46, latest issue, and to discontinue any product or service per JESD48, latest issue. Buyers should obtain the latest relevant information before placing orders and should verify that such information is current and complete. All semiconductor products (also referred to herein as "components") are sold subject to TI's terms and conditions of sale supplied at the time of order acknowledgment.

TI warrants performance of its components to the specifications applicable at the time of sale, in accordance with the warranty in TI's terms and conditions of sale of semiconductor products. Testing and other quality control techniques are used to the extent TI deems necessary to support this warranty. Except where mandated by applicable law, testing of all parameters of each component is not necessarily performed.

TI assumes no liability for applications assistance or the design of Buyers' products. Buyers are responsible for their products and applications using TI components. To minimize the risks associated with Buyers' products and applications, Buyers should provide adequate design and operating safeguards.

TI does not warrant or represent that any license, either express or implied, is granted under any patent right, copyright, mask work right, or other intellectual property right relating to any combination, machine, or process in which TI components or services are used. Information published by TI regarding third-party products or services does not constitute a license to use such products or services or a warranty or endorsement thereof. Use of such information may require a license from a third party under the patents or other intellectual property of the third party, or a license from TI under the patents or other intellectual property of TI.

Reproduction of significant portions of TI information in TI data books or data sheets is permissible only if reproduction is without alteration and is accompanied by all associated warranties, conditions, limitations, and notices. TI is not responsible or liable for such altered documentation. Information of third parties may be subject to additional restrictions.

Resale of TI components or services with statements different from or beyond the parameters stated by TI for that component or service voids all express and any implied warranties for the associated TI component or service and is an unfair and deceptive business practice. TI is not responsible or liable for any such statements.

Buyer acknowledges and agrees that it is solely responsible for compliance with all legal, regulatory and safety-related requirements concerning its products, and any use of TI components in its applications, notwithstanding any applications-related information or support that may be provided by TI. Buyer represents and agrees that it has all the necessary expertise to create and implement safeguards which anticipate dangerous consequences of failures, monitor failures and their consequences, lessen the likelihood of failures that might cause harm and take appropriate remedial actions. Buyer will fully indemnify TI and its representatives against any damages arising out of the use of any TI components in safety-critical applications.

In some cases, TI components may be promoted specifically to facilitate safety-related applications. With such components, TI's goal is to help enable customers to design and create their own end-product solutions that meet applicable functional safety standards and requirements. Nonetheless, such components are subject to these terms.

No TI components are authorized for use in FDA Class III (or similar life-critical medical equipment) unless authorized officers of the parties have executed a special agreement specifically governing such use.

Only those TI components which TI has specifically designated as military grade or "enhanced plastic" are designed and intended for use in military/aerospace applications or environments. Buyer acknowledges and agrees that any military or aerospace use of TI components which have **not** been so designated is solely at the Buyer's risk, and that Buyer is solely responsible for compliance with all legal and regulatory requirements in connection with such use.

TI has specifically designated certain components as meeting ISO/TS16949 requirements, mainly for automotive use. In any case of use of non-designated products, TI will not be responsible for any failure to meet ISO/TS16949.

Products

| | |
|------------------------------|--|
| Audio | www.ti.com/audio |
| Amplifiers | amplifier.ti.com |
| Data Converters | dataconverter.ti.com |
| DLP® Products | www.dlp.com |
| DSP | dsp.ti.com |
| Clocks and Timers | www.ti.com/clocks |
| Interface | interface.ti.com |
| Logic | logic.ti.com |
| Power Mgmt | power.ti.com |
| Microcontrollers | microcontroller.ti.com |
| RFID | www.ti-rfid.com |
| OMAP Applications Processors | www.ti.com/omap |
| Wireless Connectivity | www.ti.com/wirelessconnectivity |

Applications

| | |
|-------------------------------|--|
| Automotive and Transportation | www.ti.com/automotive |
| Communications and Telecom | www.ti.com/communications |
| Computers and Peripherals | www.ti.com/computers |
| Consumer Electronics | www.ti.com/consumer-apps |
| Energy and Lighting | www.ti.com/energy |
| Industrial | www.ti.com/industrial |
| Medical | www.ti.com/medical |
| Security | www.ti.com/security |
| Space, Avionics and Defense | www.ti.com/space-avionics-defense |
| Video and Imaging | www.ti.com/video |

TI E2E Community

e2e.ti.com