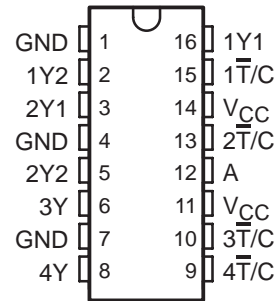


CDC328A 1-LINE TO 6-LINE CLOCK DRIVER WITH SELECTABLE POLARITY

SCAS327B – DECEMBER 1992 – REVISED NOVEMBER 1995

- Low Output Skew for Clock-Distribution and Clock-Generation Applications
- TTL-Compatible Inputs and Outputs
- Distributes One Clock Input to Six Clock Outputs
- Polarity Control Selects True or Complementary Outputs
- Distributed V_{CC} and GND Pins Reduce Switching Noise
- High-Drive Outputs ($-48\text{-mA } I_{OH}$, $48\text{-mA } I_{OL}$)
- State-of-the-Art *EPIC-IIB*™ BiCMOS Design Significantly Reduces Power Dissipation
- Package Options Include Plastic Small-Outline (D) and Shrink Small-Outline (DB) Packages

D OR DB PACKAGE
(TOP VIEW)



description

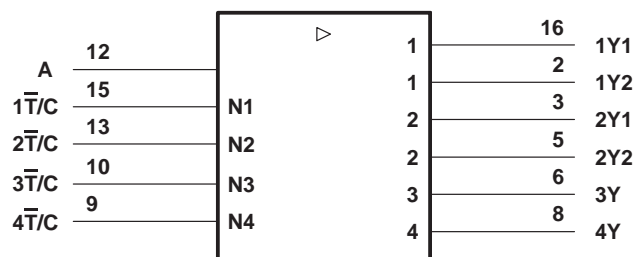
The CDC328A contains a clock-driver circuit that distributes one input signal to six outputs with minimum skew for clock distribution. Through the use of the polarity-control inputs ($\overline{T/C}$), various combinations of true and complementary outputs can be obtained.

The CDC328A is characterized for operation from -40°C to 85°C .

FUNCTION TABLE

INPUTS		OUTPUT
$\overline{T/C}$	A	Y
L	L	L
L	H	H
H	L	H
H	H	L

logic symbol†



† This symbol is in accordance with ANSI/IEEE Std 91-1984 and IEC Publication 617-12.



Please be aware that an important notice concerning availability, standard warranty, and use in critical applications of Texas Instruments semiconductor products and disclaimers thereto appears at the end of this data sheet.

EPIC-IIB is a trademark of Texas Instruments Incorporated.

PRODUCTION DATA information is current as of publication date. Products conform to specifications per the terms of Texas Instruments standard warranty. Production processing does not necessarily include testing of all parameters.

**TEXAS
INSTRUMENTS**

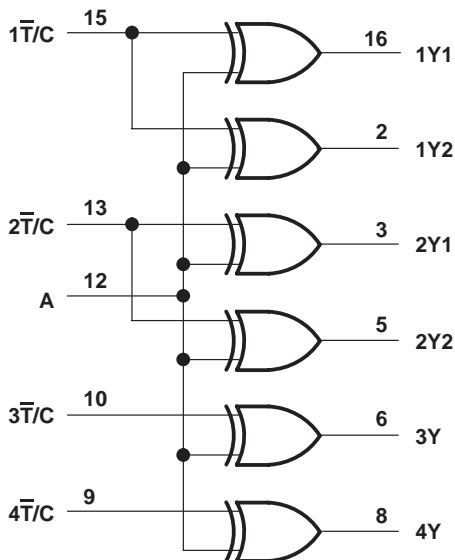
POST OFFICE BOX 655303 • DALLAS, TEXAS 75265
POST OFFICE BOX 1443 • HOUSTON, TEXAS 77251-1443

Copyright © 1995, Texas Instruments Incorporated

CDC328A
1-LINE TO 6-LINE CLOCK DRIVER
WITH SELECTABLE POLARITY

SCAS327B – DECEMBER 1992 – REVISED NOVEMBER 1995

logic diagram (positive logic)



absolute maximum ratings over operating free-air temperature range (unless otherwise noted)†

Supply voltage range, V_{CC}	-0.5 V to 7 V
Input voltage range, V_I (see Note 1)	-0.5 V to 7 V
Voltage range applied to any output in the high state or power-off state, V_O (see Note 1)	-0.5 V to $V_{CC} + 0.5$ V
Current into any output in the low state, I_O	96 mA
Input clamp current, I_{IK} ($V_I < 0$)	-18 mA
Output clamp current, I_{OK} ($V_O < 0$)	-50 mA
Maximum power dissipation at $T_A = 55^\circ\text{C}$ (in still air) (see Note 2): D package	0.77 W
DB package	0.6 W
Storage temperature range, T_{stg}	-65°C to 150°C

† Stresses beyond those listed under “absolute maximum ratings” may cause permanent damage to the device. These are stress ratings only, and functional operation of the device at these or any other conditions beyond those indicated under “recommended operating conditions” is not implied. Exposure to absolute-maximum-rated conditions for extended periods may affect device reliability.

- NOTES: 1. The input and output negative-voltage ratings may be exceeded if the input and output clamp-current ratings are observed.
 2. The maximum package power dissipation is calculated using a junction temperature of 150°C and a board trace length of 300 mils. For more information, refer to the *Package Thermal Considerations* application note in the 1994 *ABT Advanced BiCMOS Technology Data Book*, literature number SCBD002B.



CDC328A
1-LINE TO 6-LINE CLOCK DRIVER
WITH SELECTABLE POLARITY

SCAS327B – DECEMBER 1992 – REVISED NOVEMBER 1995

recommended operating conditions (see Note 3)

	MIN	NOM	MAX	UNIT
V_{CC} Supply voltage	4.75	5	5.25	V
V_{IH} High-level input voltage	2			V
V_{IL} Low-level input voltage			0.8	V
V_I Input voltage	0	V_{CC}		V
I_{OH} High-level output current			-48	mA
I_{OL} Low-level output current			48	mA
$\Delta t/\Delta v$ Input transition rise or fall rate			5	ns/V
f_{clock} Input clock frequency			100	MHz
T_A Operating free-air temperature	-40		85	°C

NOTE 3: Unused inputs must be held high or low to prevent them from floating.



CDC328A
1-LINE TO 6-LINE CLOCK DRIVER
WITH SELECTABLE POLARITY

SCAS327B – DECEMBER 1992 – REVISED NOVEMBER 1995

electrical characteristics over recommended operating free-air temperature range (unless otherwise noted)

PARAMETER	TEST CONDITIONS		MIN	TYP†	MAX	UNIT
V_{IK}	$V_{CC} = 4.75\text{ V}$,	$I_I = -18\text{ mA}$			-1.2	V
V_{OH}	$V_{CC} = 4.75\text{ V}$,	$I_{OH} = -48\text{ mA}$	2			V
V_{OL}	$V_{CC} = 4.75\text{ V}$,	$I_{OL} = 48\text{ mA}$			0.5	V
I_I	$V_{CC} = 5.25\text{ V}$,	$V_I = V_{CC}$ or GND			± 1	μA
$I_{O\ddagger}$	$V_{CC} = 5.25\text{ V}$,	$V_O = 2.5\text{ V}$	-15		-100	mA
I_{CC}	$V_{CC} = 5.25\text{ V}$, $V_I = V_{CC}$ or GND	$I_O = 0$,	Outputs high		10	mA
			Outputs low		40	
C_i	$V_I = 2.5\text{ V}$ or 0.5 V			3		pF

† All typical values are at $V_{CC} = 5\text{ V}$, $T_A = 25^\circ\text{C}$

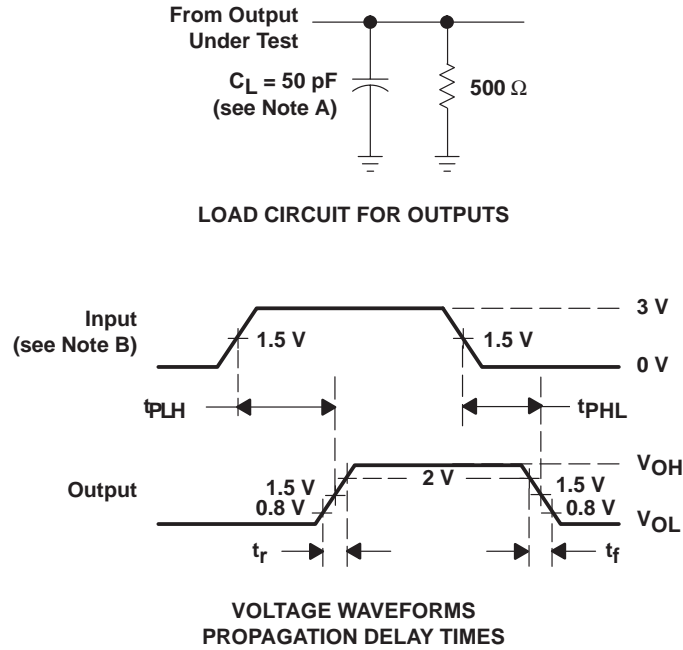
‡ Not more than one output should be tested at a time, and the duration of the test should not exceed one second.

switching characteristics over recommended ranges of supply voltage and operating free-air temperature (see Figures 1 and 2)

PARAMETER	FROM (INPUT)	TO (OUTPUT)	MIN	MAX	UNIT
t_{PLH}	A	Any Y	1.7	5	ns
t_{PHL}			1.5	5	
t_{PLH}	\bar{T}/C	Any Y	1.5	5	ns
t_{PHL}			1.4	5	
$t_{sk(o)}$	A	Any Y (same phase)		0.5	ns
		Any Y (any phase)		1	
$t_{sk(p)}$	A	Any Y		1	ns
t_r		Any Y		1.5	ns
t_f		Any Y		1.5	ns



PARAMETER MEASUREMENT INFORMATION



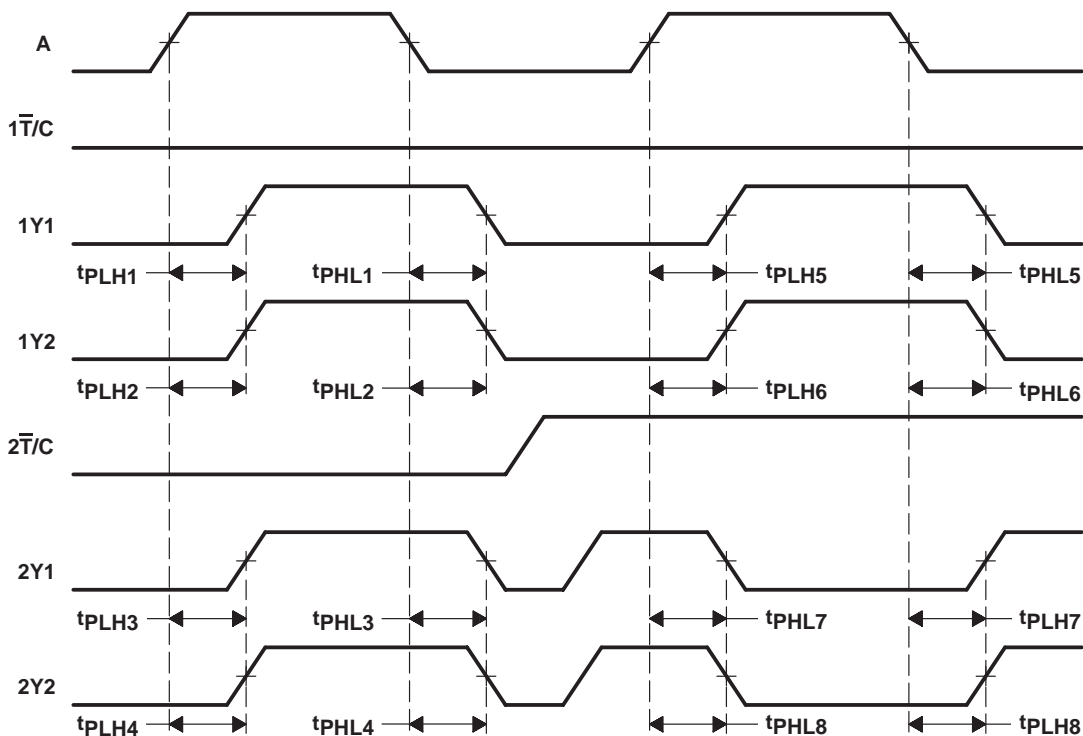
- NOTES: A. C_L includes probe and jig capacitance.
 B. All input pulses are supplied by generators having the following characteristics: $PRR \leq 10 \text{ MHz}$, $Z_O = 50 \Omega$, $t_r \leq 2.5 \text{ ns}$, $t_f \leq 2.5 \text{ ns}$.

Figure 1. Load Circuit and Voltage Waveforms

CDC328A
1-LINE TO 6-LINE CLOCK DRIVER
WITH SELECTABLE POLARITY

SCAS327B – DECEMBER 1992 – REVISED NOVEMBER 1995

PARAMETER MEASUREMENT INFORMATION



- NOTES: A. Output skew, $t_{sk(o)}$, from A to any Y (same phase), can be measured only between outputs for which the respective polarity-control inputs ($\overline{T/C}$) are at the same logic level. It is calculated as the greater of:
- The difference between the fastest and slowest of t_{PLH} from A↑ to any Y (e.g., t_{PLHn} , n = 1 to 4; or t_{PLHn} , n = 5 to 6)
 - The difference between the fastest and slowest of t_{PHL} from A↓ to any Y (e.g., t_{PHLn} , n = 1 to 4; or t_{PHLn} , n = 5 to 6)
 - The difference between the fastest and slowest of t_{PLH} from A↓ to any Y (e.g., t_{PLHn} , n = 7 to 8)
 - The difference between the fastest and slowest of t_{PHL} from A↑ to any Y (e.g., t_{PHLn} , n = 7 to 8)
- B. Output skew, $t_{sk(o)}$, from A to any Y (any phase), can be measured between outputs for which the respective polarity-control inputs ($\overline{T/C}$) are at the same or different logic levels. It is calculated as the greater of:
- The difference between the fastest and slowest of t_{PLH} from A↑ to any Y or t_{PHL} from A↑ to any Y (e.g., t_{PLHn} , n = 1 to 4; or t_{PLHn} , n = 5 to 6, and t_{PHLn} , n = 7 to 8)
 - The difference between the fastest and slowest of t_{PHL} from A↓ to any Y or t_{PLH} from A↓ to any Y (e.g., t_{PHLn} , n = 1 to 4; or t_{PHLn} , n = 5 to 6, and t_{PLHn} , n = 7 to 8)
- C. Pulse skew, $t_{sk(p)}$, is calculated as the greater of $|t_{PLHn} - t_{PHLn}|$ (n = 1, 2, 3, 4, 5, 6, 7, 8).

Figure 2. Waveforms for Calculation of $t_{sk(o)}$, $t_{sk(p)}$



IMPORTANT NOTICE

Texas Instruments Incorporated and its subsidiaries (TI) reserve the right to make corrections, modifications, enhancements, improvements, and other changes to its products and services at any time and to discontinue any product or service without notice. Customers should obtain the latest relevant information before placing orders and should verify that such information is current and complete. All products are sold subject to TI's terms and conditions of sale supplied at the time of order acknowledgment.

TI warrants performance of its hardware products to the specifications applicable at the time of sale in accordance with TI's standard warranty. Testing and other quality control techniques are used to the extent TI deems necessary to support this warranty. Except where mandated by government requirements, testing of all parameters of each product is not necessarily performed.

TI assumes no liability for applications assistance or customer product design. Customers are responsible for their products and applications using TI components. To minimize the risks associated with customer products and applications, customers should provide adequate design and operating safeguards.

TI does not warrant or represent that any license, either express or implied, is granted under any TI patent right, copyright, mask work right, or other TI intellectual property right relating to any combination, machine, or process in which TI products or services are used. Information published by TI regarding third-party products or services does not constitute a license from TI to use such products or services or a warranty or endorsement thereof. Use of such information may require a license from a third party under the patents or other intellectual property of the third party, or a license from TI under the patents or other intellectual property of TI.

Reproduction of TI information in TI data books or data sheets is permissible only if reproduction is without alteration and is accompanied by all associated warranties, conditions, limitations, and notices. Reproduction of this information with alteration is an unfair and deceptive business practice. TI is not responsible or liable for such altered documentation. Information of third parties may be subject to additional restrictions.

Resale of TI products or services with statements different from or beyond the parameters stated by TI for that product or service voids all express and any implied warranties for the associated TI product or service and is an unfair and deceptive business practice. TI is not responsible or liable for any such statements.

TI products are not authorized for use in safety-critical applications (such as life support) where a failure of the TI product would reasonably be expected to cause severe personal injury or death, unless officers of the parties have executed an agreement specifically governing such use. Buyers represent that they have all necessary expertise in the safety and regulatory ramifications of their applications, and acknowledge and agree that they are solely responsible for all legal, regulatory and safety-related requirements concerning their products and any use of TI products in such safety-critical applications, notwithstanding any applications-related information or support that may be provided by TI. Further, Buyers must fully indemnify TI and its representatives against any damages arising out of the use of TI products in such safety-critical applications.

TI products are neither designed nor intended for use in military/aerospace applications or environments unless the TI products are specifically designated by TI as military-grade or "enhanced plastic." Only products designated by TI as military-grade meet military specifications. Buyers acknowledge and agree that any such use of TI products which TI has not designated as military-grade is solely at the Buyer's risk, and that they are solely responsible for compliance with all legal and regulatory requirements in connection with such use.

TI products are neither designed nor intended for use in automotive applications or environments unless the specific TI products are designated by TI as compliant with ISO/TS 16949 requirements. Buyers acknowledge and agree that, if they use any non-designated products in automotive applications, TI will not be responsible for any failure to meet such requirements.

Following are URLs where you can obtain information on other Texas Instruments products and application solutions:

Products

Amplifiers	amplifier.ti.com
Data Converters	dataconverter.ti.com
DLP® Products	www.dlp.com
DSP	dsp.ti.com
Clocks and Timers	www.ti.com/clocks
Interface	interface.ti.com
Logic	logic.ti.com
Power Mgmt	power.ti.com
Microcontrollers	microcontroller.ti.com
RFID	www.ti-rfid.com
RF/IF and ZigBee® Solutions	www.ti.com/lprf

Applications

Audio	www.ti.com/audio
Automotive	www.ti.com/automotive
Broadband	www.ti.com/broadband
Digital Control	www.ti.com/digitalcontrol
Medical	www.ti.com/medical
Military	www.ti.com/military
Optical Networking	www.ti.com/opticalnetwork
Security	www.ti.com/security
Telephony	www.ti.com/telephony
Video & Imaging	www.ti.com/video
Wireless	www.ti.com/wireless

Mailing Address: Texas Instruments, Post Office Box 655303, Dallas, Texas 75265
Copyright © 2009, Texas Instruments Incorporated