

MPY534

Precision ANALOG MULTIPLIER

FEATURES

- $\pm 0.25\%$ max 4-QUADRANT ACCURACY
- WIDE BANDWIDTH: 1MHz min, 3MHz typ
- ADJUSTABLE SCALE FACTOR
- STABLE AND RELIABLE MONOLITHIC CONSTRUCTION
- LOW COST

APPLICATIONS

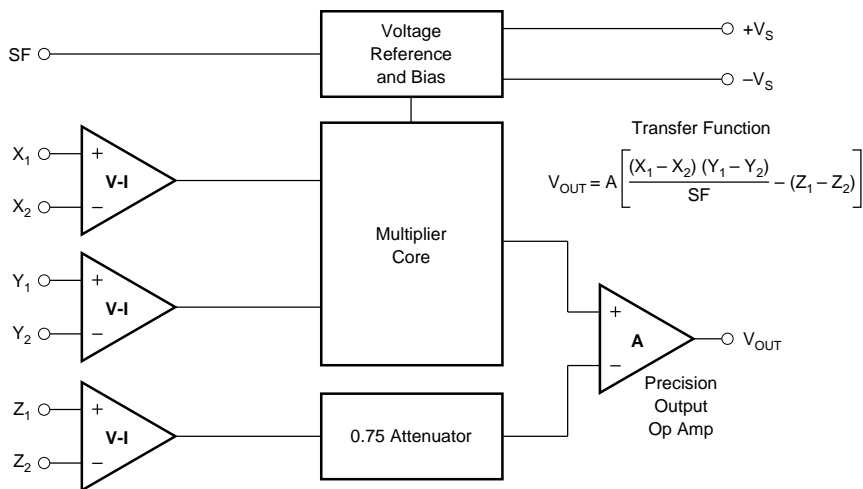
- PRECISION ANALOG SIGNAL PROCESSING
- VIDEO SIGNAL PROCESSING
- VOLTAGE CONTROLLED FILTERS AND OSCILLATORS
- MODULATION AND DEMODULATION
- RATIO AND PERCENTAGE COMPUTATION

DESCRIPTION

The MPY534 is a high accuracy, general purpose four-quadrant analog multiplier. Its accurately laser trimmed transfer characteristics make it easy to use in a wide variety of applications with a minimum of external parts and trimming circuitry. Its differential X, Y and Z inputs allow configuration as multiplier, squarer, divider, square-rooter and other functions while maintaining high accuracy.

The wide bandwidth of this new design allows accurate signal processing at higher frequencies suitable for video signal processing. It is capable of performing IF and RF frequency mixing, modulation and demodulation with excellent carrier rejection and very simple feedthrough adjustment.

An accurate internal voltage reference provides precise setting of the scale factor. The differential Z input allows user selected scale factors from 0.1 to 10 using external feedback resistors.



International Airport Industrial Park • Mailing Address: PO Box 11400 • Tucson, AZ 85734 • Street Address: 6730 S. Tucson Blvd. • Tucson, AZ 85706
Tel: (520) 746-1111 • Twx: 910-952-1111 • Cable: BBRCORP • Telex: 066-6491 • FAX: (520) 889-1510 • Immediate Product Info: (800) 548-6132

SPECIFICATIONS

ELECTRICAL

T_A = +25°C and V_S = ±15VDC, unless otherwise specified.

PARAMETER	MPY534J			MPY534K			MPY534L			MPY534S			MPY534T			UNITS
	MIN	TYP	MAX	MIN	TYP	MAX	MIN	TYP	MAX	MIN	TYP	MAX	MIN	TYP	MAX	
MULTIPLIER PERFORMANCE																
Transfer Function		*		$(X_1 - X_2)(Y_1 - Y_2) + Z_2$				*			*			*		
Total Error ⁽¹⁾ (-10V ≤ X, Y ≤ +10V) T _A = min to max			±1.0			±0.5			±0.25			±1.0		*		%
Total Error vs Temperature		±1.5			±1.0			±0.5			±2.0			±1.0		%
Scale Factor Error (SF = 10.000V Nominal) ⁽²⁾		±0.022			±0.015			±0.008			±0.02			±0.01		%/°C
Temperature Coefficient of Scaling Voltage		±0.25			±0.1			*			±0.25			*		%
Supply Rejection (±15V ±1V)		±0.02			±0.01			±0.005			±0.02			±0.005		%/°C
Nonlinearity:		*			±0.01			*			*			*		%
X (X = 20Vp-p, Y = 10V)		±0.4			±0.2	±0.3		±0.10	±0.12		±0.4			*	*	%
Y (Y = 20Vp-p, X = 10V)		*			±0.01	±0.1		±0.005	*		*			*	*	%
Feedthrough ⁽³⁾																
X (Y Nulled, Y = 20Vp-p 50Hz)		±0.3			±0.15	±0.3		±0.05	±0.12		±0.3			*	*	%
Y (X Nulled, Y = 20Vp-p 50Hz)		*			±0.01	±0.1		±0.003	*		*			*	*	%
Output Offset Voltage		±5	±30		±2	±15		*	±10		±5	±30		*	*	mV
Output Offset Voltage Drift		200			100			*			500			300		μV/°C
DYNAMICS																
Small Signal BW, (V _{OUT} = 0.1Vrms)	*	*		1	3		*	*		*	*		*	*		MHz
1% Amplitude Error (C _{LOAD} = 1000pF)		*			50			*			*			*		kHz
Slew Rate (V _{OUT} = 20Vp-p)		*			20			*			*			*		V/μs
Settling Time (to 1%, ΔV _{OUT} = 20V)		*			2			*			*			*		μs
NOISE																
Noise Spectral Density: SF = 10V		*			0.8			*			*			*		μV/√Hz
Wideband Noise: f = 10Hz to 5MHz		*			1			*			*			*		mVrms
f = 10Hz to 10kHz		*			90			*			*			*		μVrms
OUTPUT																
Output Voltage Swing	*			±11			*			*			*			V
Output Impedance (f ≤ 1kHz)		*			0.1			*			*			*		Ω
Output Short Circuit Current (R _L = 0, T _A = min to max)		*			30			*			*			*		mA
Amplifier Open Loop Gain (f = 50Hz)		*			70			*			*			*		dB
INPUT AMPLIFIERS (X, Y and Z)																
Input Voltage Range																
Differential V _{IN} (V _{CM} = 0)		*			±12			*			*			*		V
Common-Mode V _{IN} (V _{DIFF} = 0) (see Typical Performance Curves)		*			±10			*			*			*		V
Offset Voltage X, Y		±5	±20		±2	±10		*	*		±5	±20		*	*	mV
Offset Voltage Drift X, Y		100			50			*			100			*	*	μV/°C
Offset Voltage Z		±5	±30		±2	±15		*	±10		±5	±30		*	*	mV
Offset Voltage Drift Z		200			100			*			500			300		μV/°C
CMRR	60	80		70	90		*	*		60	80		*	*		dB
Bias Current		*	*		0.8	2.0		*	*		*	*		*	*	μA
Offset Current		*			0.1			0.05	0.2		*	2.0		*	2.0	μA
Differential Resistance		*			10			*			*			*		MΩ
DIVIDER PERFORMANCE																
Transfer Function (X ₁ > X ₂)		*		10V	$\frac{(Z_2 - Z_1)}{(X_1 - X_2)} + Y_1$											
Total Error ⁽¹⁾ (X = 10V, -10V ≤ Z ≤ +10V)		±0.75			±0.35			±0.2			±0.75			*		%
(X = -1V, -1V ≤ Z ≤ +1V)		±2.0			±1.0			±0.8			±2.0			*		%
(0.1V ≤ X ≤ 10V, -10V ≤ Z ≤ 10V)		±2.5			±1.0			±0.8			±2.5			*		%

SPECIFICATIONS (CONT)

ELECTRICAL

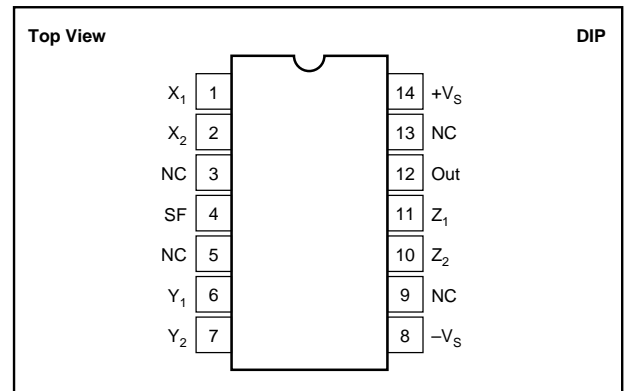
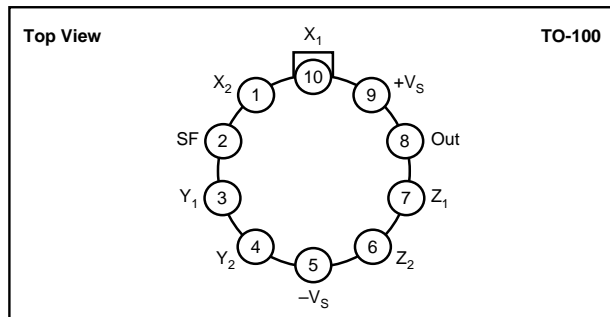
T_A = +25°C and V_S = ±15VDC, unless otherwise specified.

PARAMETER	MPY534J			MPY534K			MPY534L			MPY534S			MPY534T			UNITS	
	MIN	TYP	MAX	MIN	TYP	MAX	MIN	TYP	MAX	MIN	TYP	MAX	MIN	TYP	MAX		
SQUARE PERFORMANCE																	
Transfer Function		*			$\frac{(X_1 - X_2)^2}{10V} + Z_2$				*			*		*			
Total Error (-10V ≤ X ≤ 10V)		0.6			±0.3				±0.2			±0.6		*		%	
SQUARE-ROOTER PERFORMANCE																	
Transfer Function (Z ₁ ≤ Z ₂)		*			$\sqrt{10V(Z_2 - Z_1)} + X_2$				*			*		*			
Total Error ⁽¹⁾ (1V ≤ Z ≤ 10V)		±1.0			±0.5				±0.25			±1.0		±0.5		%	
POWER SUPPLY																	
Supply Voltage:																	
Rated Performance		*			±15				*			*		*		VDC	
Operating	*	*	*	±8	±18			*	*	*		±20	*	*	±20	VDC	
Supply Current, Quiescent		*	*		4				*	*		*	*	*	*	mA	
TEMPERATURE RANGE																	
Operating	*		*	0	+70			*		*	-55		+125	-55		+125	°C
Storage	*		*	-65	+150			*		*	*		*	*		*	°C

*Specifications same as for MPY534K.

NOTES: (1) Figures given are percent of full scale, ±10V (i.e., 0.01% = 1mV). (2) May be reduced to 3V using external resistor between -V_s and SF. (3) Irreducible component due to nonlinearity; excludes effect of offsets.

PIN CONFIGURATIONS



ABSOLUTE MAXIMUM RATINGS

PARAMETER	MPY534J, K, L	MPY534S, T
Power Supply Voltage	±18	±20
Power Dissipation	500mW	*
Output Short-Circuit to Ground	Indefinite	*
Input Voltage (all X, Y and Z)	±V _S	*
Operating Temperature Range	0°C to +70°C	-55°C to +125°C
Storage Temperature Range	-65°C to +150°C	*
Lead Temperature (soldering, 10s)	+300°C	*

*Specification same as for MPY534K.

PACKAGE INFORMATION

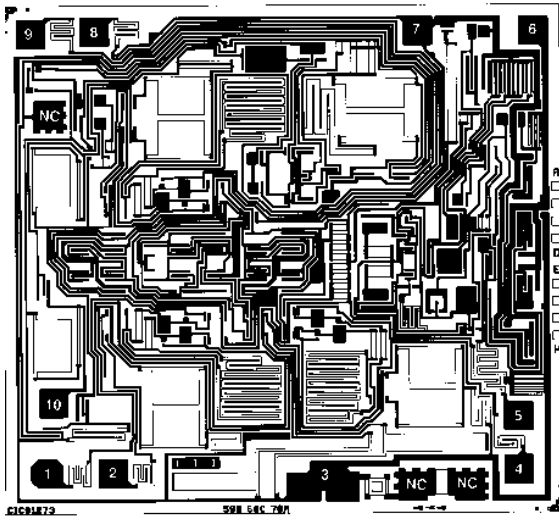
MODEL	PACKAGE	PACKAGE DRAWING NUMBER ⁽¹⁾
MPY534JD	Ceramic DIP	169
MPY534JH	Metal TO-100	007
MPY534KD	Ceramic DIP	169
MPY534KH	Metal TO-100	007
MPY534LD	Ceramic DIP	169
MPY534LH	Metal TO-100	007
MPY534SD	Ceramic DIP	169
MPY534SH	Metal TO-100	007
MPY534TD	Ceramic DIP	169
MPY534TH	Metal TO-100	007

NOTE: (1) For detailed drawing and dimension table, please see end of data sheet, or Appendix D of Burr-Brown IC Data Book.

ORDERING INFORMATION

MODEL	PACKAGE	TEMPERATURE RANGE
MPY534JD	Ceramic DIP	0°C to +70°C
MPY534JH	Metal TO-100	0°C to +70°C
MPY534KD	Ceramic DIP	0°C to +70°C
MPY534KH	Metal TO-100	0°C to +70°C
MPY534LD	Ceramic DIP	0°C to +70°C
MPY534LH	Metal TO-100	0°C to +70°C
MPY534SD	Ceramic DIP	-55°C to +125°C
MPY534SH	Metal TO-100	-55°C to +125°C
MPY534TD	Ceramic DIP	-55°C to +125°C
MPY534TH	Metal TO-100	-55°C to +125°C

DICE INFORMATION



MPY534 DIE TOPOGRAPHY

PAD	FUNCTION
1	Y_1
2	Y_2
3	$-V_S$
4	Z_2
5	Z_1
6	Output
7	$+V_S$
8	X_1
9	X_2
10	SF (Scale Factor)

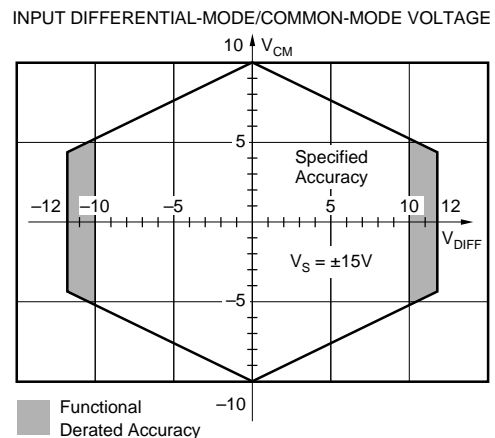
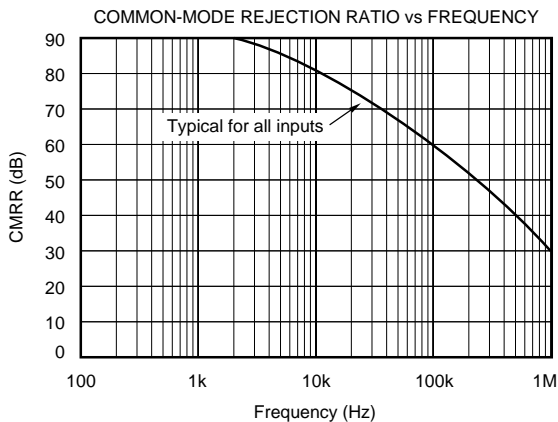
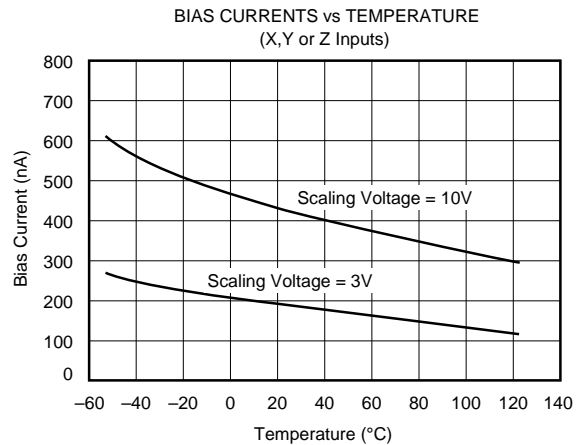
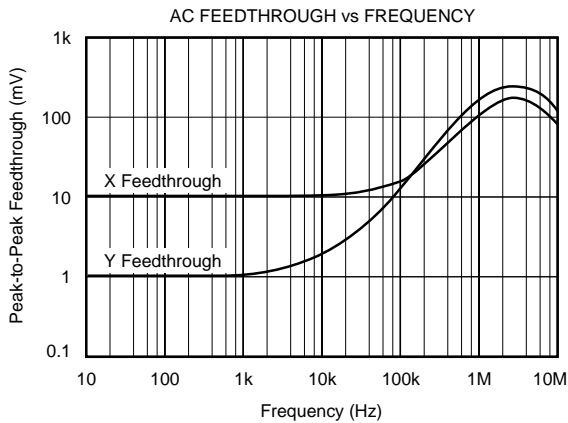
Substrate Bias: The back of the die should not be used for the $-V_S$ connection.
 NC = No Connection.

MECHANICAL INFORMATION

	MILS (0.001")	MILLIMETERS
Die Size	100 x 92 ±5	2.54 x 2.34 ±0.13
Die Thickness	20 ±3	0.51 ±0.08
Min. Pad Size	4 x 4	0.10 x 0.10
Backing	Gold	

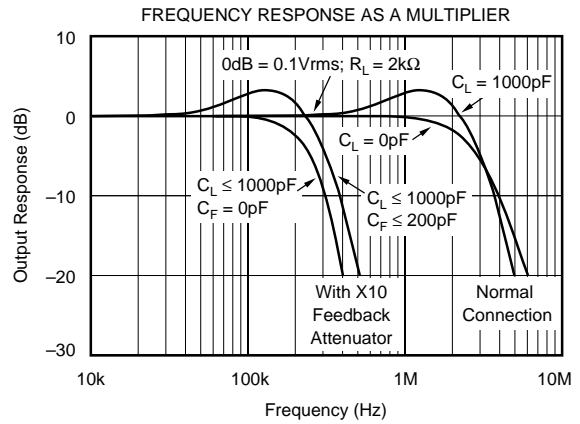
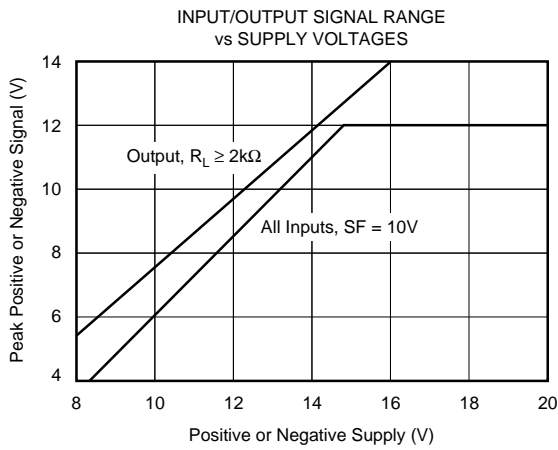
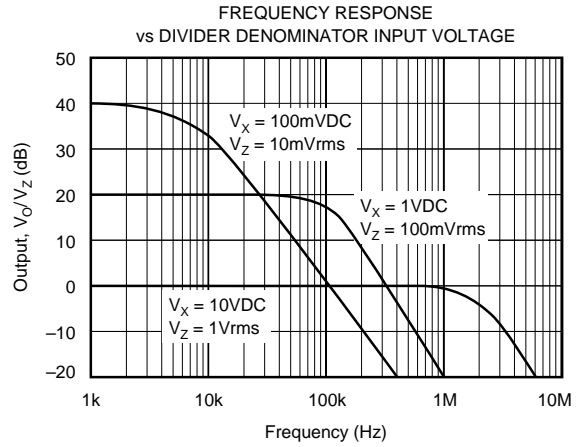
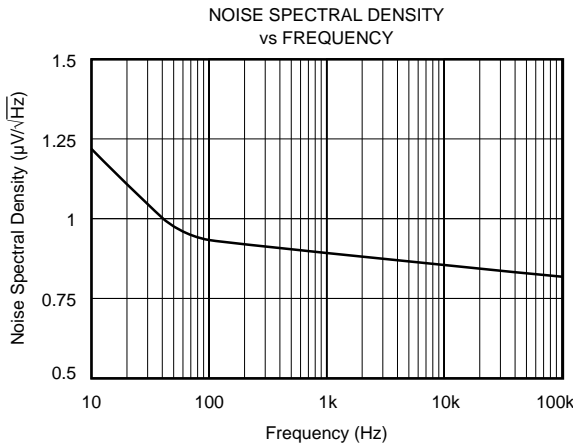
TYPICAL PERFORMANCE CURVES

$T_A = +25^\circ\text{C}$, $V_S = \pm 15\text{VDC}$, unless otherwise noted.



TYPICAL PERFORMANCE CURVES (CONT)

T_A = +25°C, ±V_{CC} = 15VDC, unless otherwise noted.



THEORY OF OPERATION

The transfer function for the MPY534 is:

$$V_{OUT} = A \left[\frac{(X_1 - X_2)(Y_1 - Y_2)}{SF} - (Z_1 - Z_2) \right]$$

where:

A = Open-loop gain of the output amplifier (typically 85dB at DC).

SF = Scale Factor. Laser-trimmed to 10V but adjustable over a 3V to 10V range using external resistor.

X, Y, A are input voltages. Full-scale input voltage is equal to the selected SF. (Max input voltage = ±1.25 SF.)

An intuitive understanding of transfer function can be gained by analogy to an op amp. By assuming that the open-loop gain, A, of the output amplifier is infinite, inspection of the transfer function reveals that any V_{OUT} can be created with an infinitesimally small quantity within the brackets. Then,

an application circuit can be analyzed by assigning circuit voltages for all X, Y and Z inputs and setting the bracketed quantity equal to zero. For example, the basic multiplier connection in Figure 1, Z₁ = V_{OUT} and Z₂ = 0. The quantity within the brackets then reduces to:

$$\frac{(X_1 - X_2)(Y_1 - Y_2)}{SF} - (V_{OUT} - 0) = 0$$

This approach leads to a simple relationship which can be solved for V_{OUT}.

The scale factor is accurately factory-adjusted to 10V and is typically accurate to within 0.1% or less. The scale factor may be adjusted by connecting a resistor or potentiometer between pin SF and the -V_S power supply. The value of the external resistor can be approximated by:

$$R_{SF} = 5.4k\Omega \left[\frac{SF}{10 - SF} \right]$$

Internal device tolerances make this relationship accurate to within approximately 25%. Some applications can benefit from reduction of the SF by this technique. The reduced input bias current and drift achieved by this technique can be likened to operating the input circuitry in a higher gain, thus reducing output contributions to these effects. Adjustment of the scale factor does not affect bandwidth.

The MPY534 is fully characterized at $V_s = \pm 15V$, but operation is possible down to $\pm 8V$ with an attendant reduction of input and output range capability. Operation at voltages greater than $\pm 15V$ allows greater output swing to be achieved by using an output feedback attenuator (Figure 2).

BASIC MULTIPLIER CONNECTION

Figure 1 shows the basic connection as a multiplier. Accuracy is fully specified without any additional user trimming circuitry. Some applications can benefit from trimming one or more of the inputs. The fully differential inputs facilitate referencing the input quantities to the source voltage common terminal for maximum accuracy. They also allow use of simple offset voltage trimming circuitry as shown on the X input.

The differential Z input allows an offset to be summed in V_{OUT} . In basic multiplier operation, the Z_2 input serves as the output voltage reference and should be connected to the ground reference of the driven system for maximum accuracy.

A method of changing (lowering) SF by connecting to the SF pin was discussed previously. Figure 2 shows another method of changing the effective SF of the overall circuit using an attenuator in the feedback connection to Z_1 . This method puts the output amplifier in a higher gain and is thus accompanied by a reduction in bandwidth and an increase in output offset voltage. The larger output offset may be reduced by applying a trimming voltage to the high impedance input Z_2 .

The flexibility of the differential Z inputs allows direct conversion of the output quantity to a current. Figure 3 shows the output voltage differentially-sensed across a series resistor forcing an output-controlled current. Addition of a capacitor load then creates a time integration function useful in a variety of applications such as power computation.

SQUARER CIRCUIT

Squarer operation is achieved by paralleling the X and Y inputs of the standard multiplier circuit. Inverted output can be achieved by reversing the differential input terminals of either the X or Y input. Accuracy in the squaring mode is typically a factor of two better than the specified multiplier mode with maximum error occurring with small (less than 1V) inputs. Better accuracy can be achieved for small input voltage levels by using a reduced SF value.

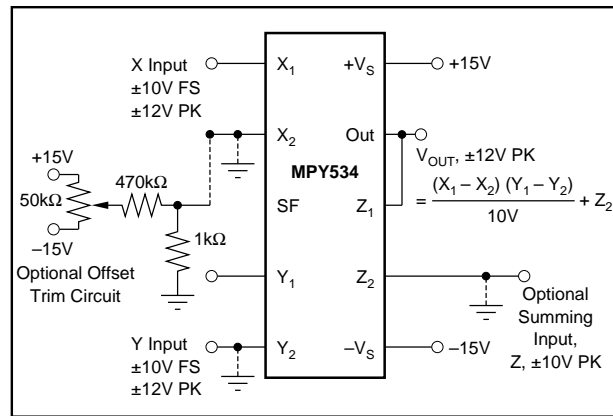


FIGURE 1. Basic Multiplier Connection.

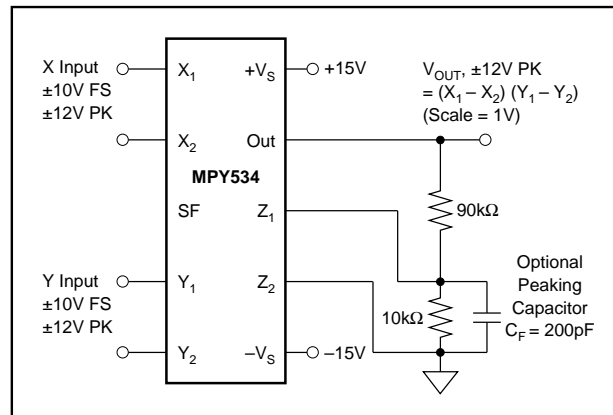


FIGURE 2. Connections for Scale-Factor of Unity.

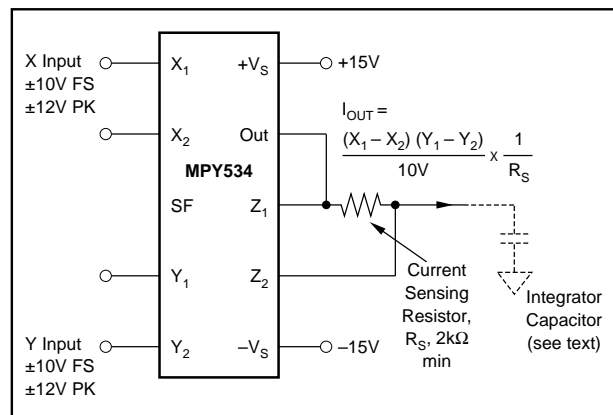


FIGURE 3. Conversion of Output to Current.

DIVIDER CIRCUIT

The MPY534 can be configured as a divider as shown in Figure 4. High impedance differential inputs for the numerator and denominator are achieved at the Z and X inputs, respectively. Feedback is applied to the Y_2 input, and Y_1 can be summed directly into V_{OUT} . Since the feedback connection is made to a multiplying input, the effective gain of the output op amp varies as a function of the denominator input voltage. Therefore, the bandwidth of the divider function is proportional to the denominator voltage (see Typical Performance Curves).

Accuracy of the divider mode typically ranges from 0.75% to 2.0% for a 10 to 1 denominator range depending on device grade. Accuracy is primarily limited by input offset voltages and can be significantly improved by trimming the offset of the X input. A trim voltage of $\pm 3.5\text{mV}$ applied to the “low side” X input (X_2 for positive input voltages on X_1) can produce similar accuracies over a 100 to 1 denominator range. To trim, apply a signal which varies from 100mV to 10V at a low frequency (less than 500Hz) to both inputs. An offset sine wave or ramp is suitable. Since the ratio of the quantities should be constant, the ideal output would be a constant 10V. Using AC coupling on an oscilloscope, adjust the offset control for minimum output voltage variation.

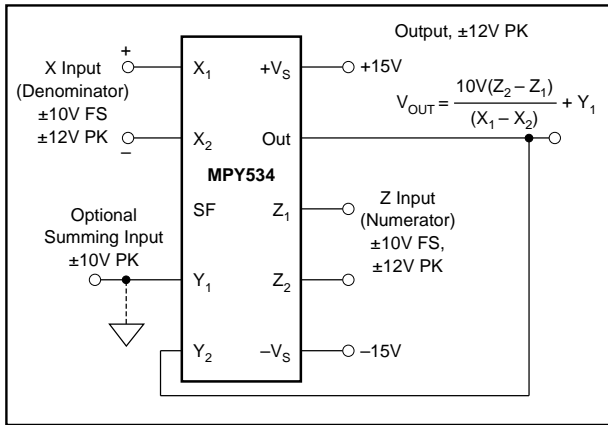


FIGURE 4. Basic Divider Connection.

SQUARE-ROOTER

A square-rooter connection is shown in Figure 5. Input voltage is limited to one polarity (positive for the connection shown). The diode prevents circuit latch-up should the input go negative. The circuit can be configured for negative input and positive output by reversing the polarity of both the X and Y inputs. The output polarity can be reversed by reversing the diode and X input polarity. A load resistance of approximately $10\text{k}\Omega$ must be provided. Trimming for improved accuracy would be accomplished at the Z input.

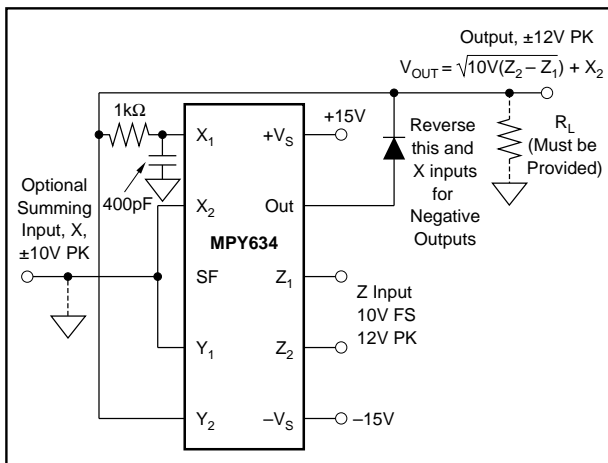


FIGURE 5. Square-Rooter Connection.

APPLICATIONS

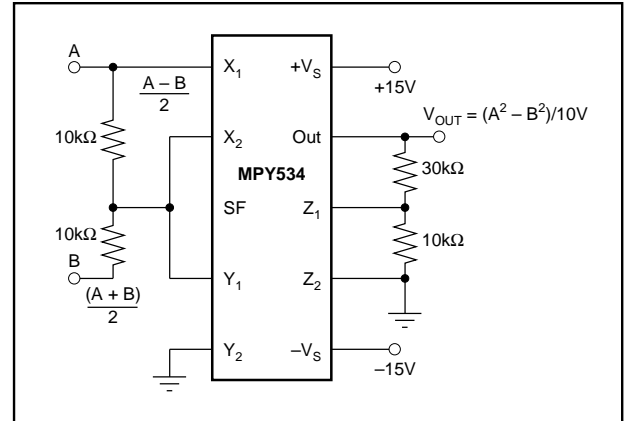


FIGURE 6. Difference-of-Squares.

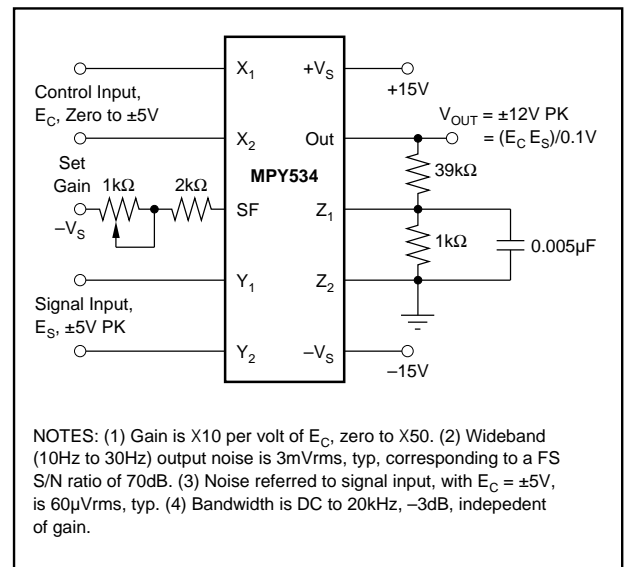


FIGURE 7. Voltage-Controlled Amplifier.

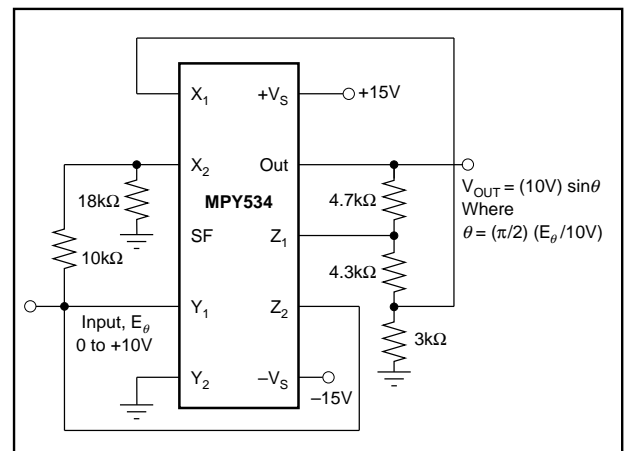


FIGURE 8. Sine-Function Generator.

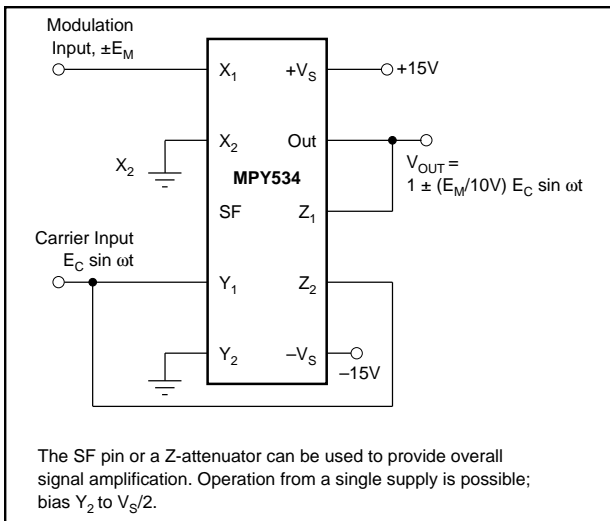


FIGURE 9. Linear AM Modulator.

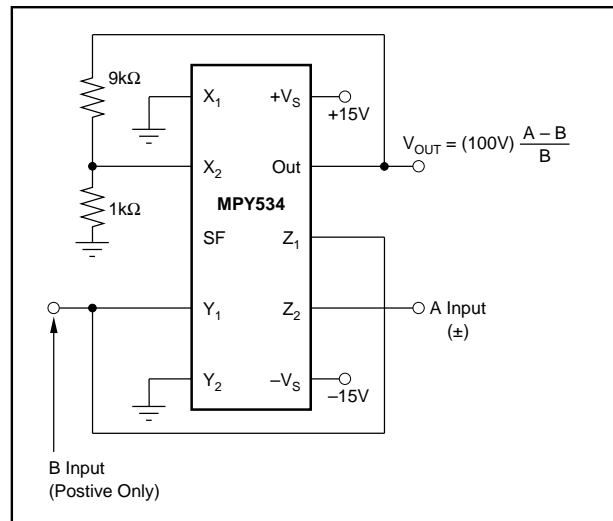


FIGURE 10. Percentage Computer.

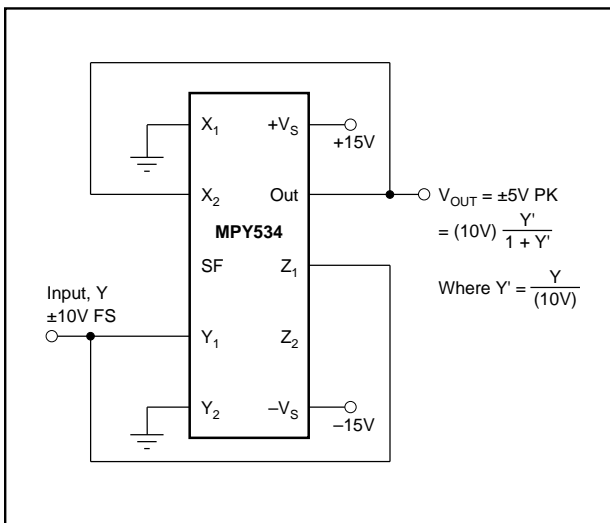


FIGURE 11. Bridge-Linearization Function.

The information provided herein is believed to be reliable; however, BURR-BROWN assumes no responsibility for inaccuracies or omissions. BURR-BROWN assumes no responsibility for the use of this information, and all use of such information shall be entirely at the user's own risk. Prices and specifications are subject to change without notice. No patent rights or licenses to any of the circuits described herein are implied or granted to any third party. BURR-BROWN does not authorize or warrant any BURR-BROWN product for use in life support devices and/or systems.

PACKAGING INFORMATION

Orderable Device	Status ⁽¹⁾	Package Type	Package Drawing	Pins	Package Qty	Eco Plan ⁽²⁾	Lead/Ball Finish	MSL Peak Temp ⁽³⁾
MPY534JD	OBSOLETE	CDIP SB	JD	14		TBD	Call TI	Call TI
MPY534JD3	OBSOLETE	CDIP SB	JD	14		TBD	Call TI	Call TI
MPY534JH	OBSOLETE	TO-100	LME	10		TBD	Call TI	Call TI
MPY534JH3	OBSOLETE	CDIP SB	JD	14		TBD	Call TI	Call TI
MPY534KD	OBSOLETE	CDIP SB	JD	14		TBD	Call TI	Call TI
MPY534KD2	OBSOLETE	CDIP SB	JD	14		TBD	Call TI	Call TI
MPY534KH	OBSOLETE	TO-100	LME	10		TBD	Call TI	Call TI
MPY534KH2	OBSOLETE	CDIP SB	JD	14		TBD	Call TI	Call TI
MPY534KH3	OBSOLETE	CDIP SB	JD	14		TBD	Call TI	Call TI
MPY534LD	OBSOLETE	CDIP SB	JD	14		TBD	Call TI	Call TI
MPY534LD1	OBSOLETE	CDIP SB	JD	14		TBD	Call TI	Call TI
MPY534LH	OBSOLETE	TO-100	LME	10		TBD	Call TI	Call TI
MPY534LH1	OBSOLETE	CDIP SB	JD	14		TBD	Call TI	Call TI
MPY534SD	OBSOLETE	CDIP SB	JD	14		TBD	Call TI	Call TI
MPY534SH	OBSOLETE	TO-100	LME	10		TBD	Call TI	Call TI
MPY534SH2	OBSOLETE	CDIP SB	JD	14		TBD	Call TI	Call TI
MPY534TD	OBSOLETE	CDIP SB	JD	14		TBD	Call TI	Call TI
MPY534TH	OBSOLETE	TO-100	LME	10		TBD	Call TI	Call TI
MPY534TH1	OBSOLETE	CDIP SB	JD	14		TBD	Call TI	Call TI

⁽¹⁾ The marketing status values are defined as follows:

ACTIVE: Product device recommended for new designs.

LIFEBUY: TI has announced that the device will be discontinued, and a lifetime-buy period is in effect.

NRND: Not recommended for new designs. Device is in production to support existing customers, but TI does not recommend using this part in a new design.

PREVIEW: Device has been announced but is not in production. Samples may or may not be available.

OBSOLETE: TI has discontinued the production of the device.

⁽²⁾ Eco Plan - The planned eco-friendly classification: Pb-Free (RoHS) or Green (RoHS & no Sb/Br) - please check <http://www.ti.com/productcontent> for the latest availability information and additional product content details.

TBD: The Pb-Free/Green conversion plan has not been defined.

Pb-Free (RoHS): TI's terms "Lead-Free" or "Pb-Free" mean semiconductor products that are compatible with the current RoHS requirements for all 6 substances, including the requirement that lead not exceed 0.1% by weight in homogeneous materials. Where designed to be soldered at high temperatures, TI Pb-Free products are suitable for use in specified lead-free processes.

Green (RoHS & no Sb/Br): TI defines "Green" to mean Pb-Free (RoHS compatible), and free of Bromine (Br) and Antimony (Sb) based flame retardants (Br or Sb do not exceed 0.1% by weight in homogeneous material)

⁽³⁾ MSL, Peak Temp. -- The Moisture Sensitivity Level rating according to the JEDEC industry standard classifications, and peak solder temperature.

Important Information and Disclaimer:The information provided on this page represents TI's knowledge and belief as of the date that it is provided. TI bases its knowledge and belief on information provided by third parties, and makes no representation or warranty as to the accuracy of such information. Efforts are underway to better integrate information from third parties. TI has taken and continues to take reasonable steps to provide representative and accurate information but may not have conducted destructive testing or chemical analysis on incoming materials and chemicals. TI and TI suppliers consider certain information to be proprietary, and thus CAS numbers and other limited information may not be available for release.

In no event shall TI's liability arising out of such information exceed the total purchase price of the TI part(s) at issue in this document sold by TI to Customer on an annual basis.

IMPORTANT NOTICE

Texas Instruments Incorporated and its subsidiaries (TI) reserve the right to make corrections, modifications, enhancements, improvements, and other changes to its products and services at any time and to discontinue any product or service without notice. Customers should obtain the latest relevant information before placing orders and should verify that such information is current and complete. All products are sold subject to TI's terms and conditions of sale supplied at the time of order acknowledgment.

TI warrants performance of its hardware products to the specifications applicable at the time of sale in accordance with TI's standard warranty. Testing and other quality control techniques are used to the extent TI deems necessary to support this warranty. Except where mandated by government requirements, testing of all parameters of each product is not necessarily performed.

TI assumes no liability for applications assistance or customer product design. Customers are responsible for their products and applications using TI components. To minimize the risks associated with customer products and applications, customers should provide adequate design and operating safeguards.

TI does not warrant or represent that any license, either express or implied, is granted under any TI patent right, copyright, mask work right, or other TI intellectual property right relating to any combination, machine, or process in which TI products or services are used. Information published by TI regarding third-party products or services does not constitute a license from TI to use such products or services or a warranty or endorsement thereof. Use of such information may require a license from a third party under the patents or other intellectual property of the third party, or a license from TI under the patents or other intellectual property of TI.

Reproduction of information in TI data books or data sheets is permissible only if reproduction is without alteration and is accompanied by all associated warranties, conditions, limitations, and notices. Reproduction of this information with alteration is an unfair and deceptive business practice. TI is not responsible or liable for such altered documentation.

Resale of TI products or services with statements different from or beyond the parameters stated by TI for that product or service voids all express and any implied warranties for the associated TI product or service and is an unfair and deceptive business practice. TI is not responsible or liable for any such statements.

Following are URLs where you can obtain information on other Texas Instruments products and application solutions:

Products		Applications	
Amplifiers	amplifier.ti.com	Audio	www.ti.com/audio
Data Converters	dataconverter.ti.com	Automotive	www.ti.com/automotive
DSP	dsp.ti.com	Broadband	www.ti.com/broadband
Interface	interface.ti.com	Digital Control	www.ti.com/digitalcontrol
Logic	logic.ti.com	Military	www.ti.com/military
Power Mgmt	power.ti.com	Optical Networking	www.ti.com/opticalnetwork
Microcontrollers	microcontroller.ti.com	Security	www.ti.com/security
		Telephony	www.ti.com/telephony
		Video & Imaging	www.ti.com/video
		Wireless	www.ti.com/wireless

Mailing Address: Texas Instruments
Post Office Box 655303 Dallas, Texas 75265