



NOMINAL SIZE = 0.75 in x 0.5 in  
(19,05 mm x 12,7 mm)

**Features**

- Up to 6-A Output Current
- 12-V Input Voltage
- Wide-Output Voltage Adjust (1.2 V to 5.5 V)/(0.8 V to 1.8 V)
- 230 W/in<sup>3</sup> Power Density
- Efficiencies up to 92 %
- Pre-Bias Startup
- On/Off Inhibit
- Under-Voltage Lockout
- Output Over-Current Protection (Non-Latching, Auto-Reset)
- Operating Temp: -40 to +85 °C
- Surface Mount Package
- Safety Agency Approvals: UL/cUL 60950, EN60950 VDE

**Description**

The PTH12000 series of non-isolated power modules are small in size and high on performance. Using double-sided surface mount construction and synchronous rectification technology, these regulators deliver up to 6 A of output current while occupying a PCB area of about half the size of a standard postage stamp. They are an ideal choice for applications where space, performance and cost are important design constraints.

The series operates from an input voltage of 12 V to provide step-down power conversion to a wide range of output voltages. W-suffix devices are adjustable from 1.2 V to 5.5 V, and L-suffix devices are adjustable from 0.8 V to 1.8 V. The out-

put voltage is set within the adjustment range using a single external resistor.

Operating features include an on/off inhibit, output voltage adjust (trim), and the ability to start up into an existing output voltage or prebias. A non-latching over-current trip provides protection against load faults.

Target applications include telecom, industrial, and general purpose circuits, including low-power dual-voltage systems that use a DSP, microprocessor, or ASIC.

Package options include both through-hole and surface mount configurations.

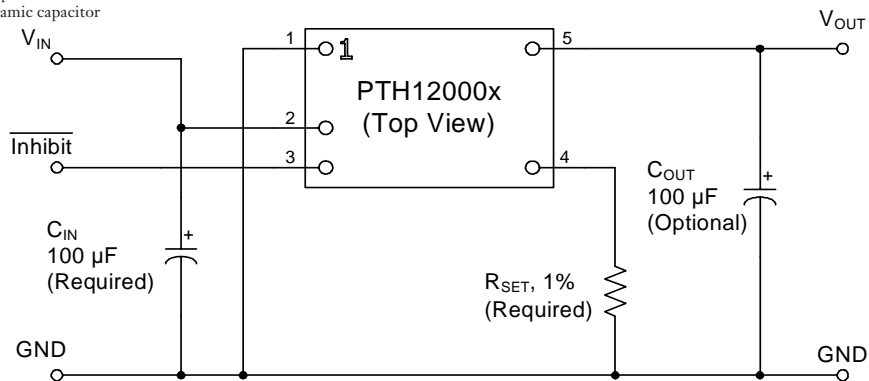
**Pin Configuration**

Pin	Function
1	GND
2	V <sub>in</sub>
3	Inhibit*
4	V <sub>o</sub> Adjust
5	V <sub>out</sub>

\* Denotes negative logic:  
Open = Output On  
Ground = Output Off

**Standard Application**

- R<sub>set</sub> = Required to set the output voltage higher than the lowest value (see spec. table for values).
- C<sub>1</sub> = Required 100 μF capacitor
- C<sub>2</sub> = Optional 100 μF capacitor
- C<sub>3</sub> = Optional 10 μF ceramic capacitor



**Ordering Information**

Output Voltage (PTH12000rxx)		Package Options (PTH12000xrr) <sup>(1)</sup>		
Code	Voltage	Code	Description	Pkg Ref. <sup>(2)</sup>
W	1.2 V – 5.5 V (Adjust)	AH	Horiz. T/H	(EUS)
L	0.8 V – 1.8 V (Adjust)	AS	SMD, Standard <sup>(3)</sup>	(EUT)

- Notes:** (1) Add “T” to end of part number for tape and reel on SMD packages only.  
 (2) Reference the applicable package reference drawing for the dimensions and PC board layout  
 (3) “Standard” option specifies 63/37, Sn/Pb pin solder material.

**Pin Descriptions**

**Vin:** The positive input voltage power node to the module, which is referenced to common GND.

**Vout:** The regulated positive power output with respect to the GND node.

**GND:** This is the common ground connection for the ‘Vin’ and ‘Vout’ power connections. It is also the 0 VDC reference for the ‘Inhibit’ and ‘Vo Adjust’ control inputs.

**Inhibit:** The Inhibit pin is an open-collector/drain negative logic input that is referenced to GND. Applying a low-level ground signal to this input disables the module’s output and turns off the output voltage. When the Inhibit control is active, the input current drawn by the regulator is significantly reduced. If the Inhibit pin is left open-circuit, the module will produce an output whenever a valid input source is applied.

**Vo Adjust:** A 1-% resistor must be connected between this pin and GND (pin 1) to set the output voltage of the module higher than its lowest value. The temperature stability of the resistor should be 100 ppm/°C (or better). The set-point range is 1.2 V to 5.5 V for W-suffix devices, and 0.8 V to 1.8 V for L-suffix devices. The resistor value required for a given output voltage may be calculated using a formula. If left open circuit, the output voltage will default to its lowest value. For further information on output voltage adjustment consult the related application note.

The specification tables also give the preferred resistor values for a number of standard output voltages.

**Environmental & Absolute Maximum Ratings** (Voltages are with respect to GND)

Characteristics	Symbols	Conditions	Min	Typ	Max	Units
Operating Temperature Range	T <sub>a</sub>	Over V <sub>in</sub> Range	-40 <sup>(i)</sup>	—	+85	°C
Solder Reflow Temperature(AS)	T <sub>reflow</sub>	Surface temperature of module body or pins	—	—	235 <sup>(ii)</sup>	°C
Solder Reflow Temperature(AZ)	T <sub>reflow</sub>	Surface temperature of module body or pins	—	—	260 <sup>(ii)</sup>	°C
Wave Solder Temperature(AH/AD)	T <sub>wave</sub>	Surface temperature of module body or pins(5 seconds)	—	—	260 <sup>(ii)</sup>	°C
Storage Temperature	T <sub>s</sub>	—	-55	—	+125	°C
Mechanical Shock	—	Per Mil-STD-883D, Method 2002.3 1 msec, ½ sine, mounted	—	500	—	G
Mechanical Vibration	—	Mil-STD-883D, Method 2007.2 20-2000 Hz	—	15	—	G
Weight	—	—	—	2	—	grams
Flammability	—	Meets UL 94V-O	—	—	—	—

- Notes:** (i) For operation below 0 °C the external capacitors must have stable characteristics. Use either a low ESR tantalum, Oscon, or ceramic capacitor.  
 (ii) During soldering of package version do not elevate peak temperature of the module, pins or internal components above the stated maximum.

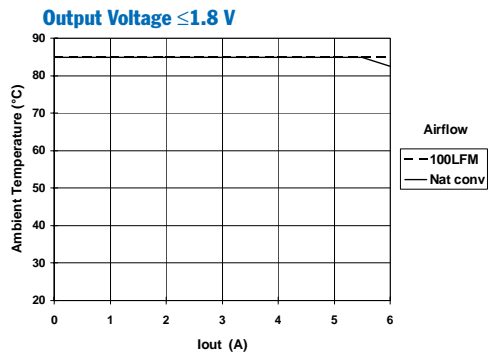
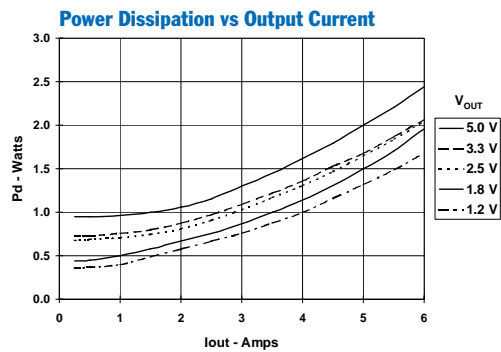
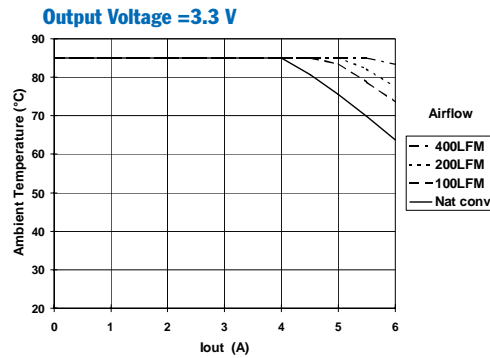
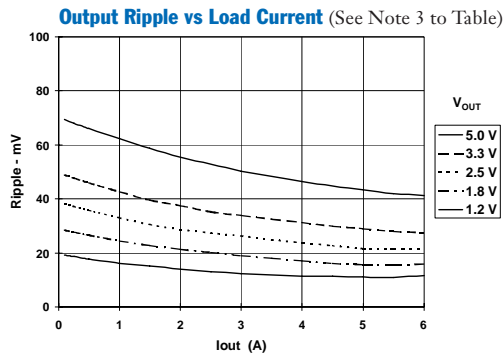
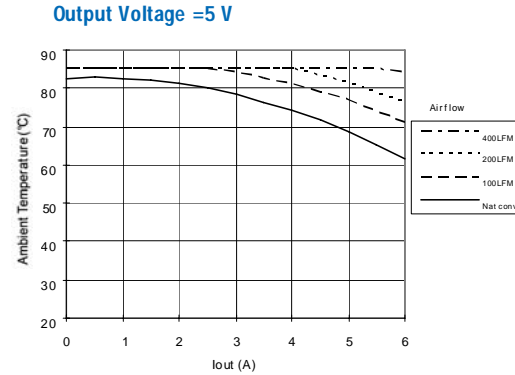
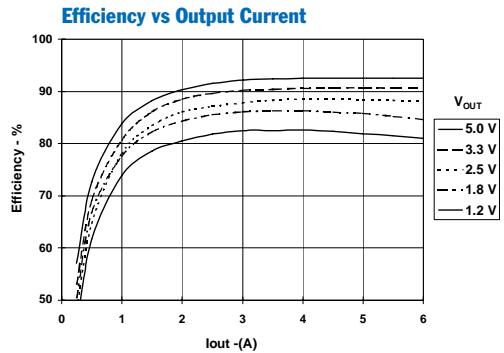
**Electrical Specifications** Unless otherwise stated,  $T_a = 25^\circ\text{C}$ ,  $V_{in} = 12\text{ V}$ ,  $V_o = 3.3\text{ V}$ ,  $C_1 = 100\ \mu\text{F}$ ,  $C_2 = 0\ \mu\text{F}$ ,  $C_3 = 0\ \mu\text{F}$ , and  $I_o = I_{o,max}$

Characteristics	Symbols	Conditions	PTH12000W			Units
			Min	Typ	Max	
Output Current	$I_o$	Over $\Delta V_{adj}$ range $T_a = 60^\circ\text{C}$ , 200 LFM $T_a = 25^\circ\text{C}$ , natural convection	0 0	— —	6 (1) 6 (1)	A
Input Voltage Range	$V_{in}$	Over $I_o$ range	10.8	—	13.2	V
Set-Point Voltage Tolerance	$V_o\text{tol}$		—	—	$\pm 2$ (2)	% $V_o$
Temperature Variation	$\Delta\text{Reg}_{temp}$	$-40^\circ\text{C} < T_a < +85^\circ\text{C}$	—	$\pm 0.5$	—	% $V_o$
Line Regulation	$\Delta\text{Reg}_{line}$	Over $V_{in}$ range	—	$\pm 5$	—	mV
Load Regulation	$\Delta\text{Reg}_{load}$	Over $I_o$ range	—	$\pm 5$	—	mV
Total Output Variation	$\Delta\text{Reg}_{tot}$	Includes set-point, line, load, $-40^\circ\text{C} \leq T_a \leq +85^\circ\text{C}$	—	—	$\pm 3$ (2)	% $V_o$
Output Voltage Adjust Range	$\Delta V_{adj}$	Over $V_{in}$ range	1.2	—	5.5	V
Efficiency	$\eta$	$V_{in} = 12\text{ V}$ , $I_o = 4\text{ A}$ $R_{SET} = 280\ \Omega$ $V_o = 5.0\text{ V}$ $R_{SET} = 2.0\text{ k}\Omega$ $V_o = 3.3\text{ V}$ $R_{SET} = 4.32\text{ k}\Omega$ $V_o = 2.5\text{ V}$ $R_{SET} = 8.06\text{ k}\Omega$ $V_o = 2.0\text{ V}$ $R_{SET} = 11.5\text{ k}\Omega$ $V_o = 1.8\text{ V}$ $R_{SET} = 24.3\text{ k}\Omega$ $V_o = 1.5\text{ V}$ $R_{SET} = \text{open cct}$ $V_o = 1.2\text{ V}$	— — — — — — —	92 90 88 87 86 84 82	— — — — — — —	%
$V_o$ Ripple (pk-pk)	$V_r$	20 MHz bandwidth, $I_o = 4\text{ A}$ $C_3 = 10\ \mu\text{F}$ ceramic $V_o \geq 3.3\text{ V}$ $V_o \leq 2.5\text{ V}$	— —	50 (3) 25 (3)	— —	mVpp
Transient Response	$t_{tr}$ $\Delta V_{tr}$	1 A/ $\mu\text{s}$ load step, 50 to 100 % $I_{o,max}$ , $V_o = 1.8\text{ V}$ , $C_2 = 100\ \mu\text{F}$ Recovery time $V_o$ over/undershoot	— —	70 100	— —	$\mu\text{Sec}$ mV
Over-Current Threshold	$I_o$ trip	Reset followed by auto-recovery	—	12	—	A
Under-Voltage Lockout	UVLO	$V_{in}$ increasing $V_{in}$ decreasing	— 8.8	— —	10.4 —	V
Inhibit Control (pin 3) Input High Voltage Input Low Voltage Input Low Current	$V_{IH}$ $V_{IL}$ $I_{IL}$	Referenced to GND Pin 3 to GND	$V_{in} - 0.5$ -0.2	— —	Open (4) 0.5	V
Standby Input Current	$I_{in, standby}$	pins 1 & 3 connected	—	1	—	mA
Switching Frequency	$f_s$	Over $V_{in}$ and $I_o$ ranges	300	350	400	kHz
External Input Capacitance	$C_{in}$		100 (5)	—	—	$\mu\text{F}$
External Output Capacitance	$C_{out}$	Capacitance value non-ceramic ceramic Equiv. series resistance (non-ceramic)	0 0 4 (8)	100 (6) — —	3,300 (7) 300 —	$\mu\text{F}$ $\text{m}\Omega$
Reliability	MTBF	Per Bellcore TR-332 50 % stress, $T_a = 40^\circ\text{C}$ , ground benign	9.4	—	—	$10^6$ Hrs

- Notes:** (1) See SOA curves or consult factory for appropriate derating.  
 (2) The set-point voltage tolerance is affected by the tolerance and stability of  $R_{SET}$ . The stated limit is unconditionally met if  $R_{SET}$  has a tolerance of 1% with 100 ppm/ $^\circ\text{C}$  or better temperature stability.  
 (3) The pk-pk output ripple voltage is measured with an external 10  $\mu\text{F}$  ceramic capacitor. See the standard application schematic.  
 (4) The Inhibit control (pin 3) has an internal pull-up to  $V_{in}$ , and if left open-circuit the module will operate when input power is applied. A small low-leakage (<100 nA) MOSFET is recommended to control this input. See application notes for more information.  
 (5) The regulator requires a minimum of 100  $\mu\text{F}$  input capacitor with a minimum 750 mA rms ripple current rating. For further information, consult the related application note on Capacitor Recommendations.  
 (6) An external output capacitor is not required for basic operation. Adding 100  $\mu\text{F}$  of distributed capacitance at the load will improve the transient response.  
 (7) This is the calculated maximum. The minimum ESR limitation will often result in a lower value. Consult the application notes for further guidance.  
 (8) This is the typical ESR for all the electrolytic (non-ceramic) output capacitance. Use 7  $\text{m}\Omega$  as the minimum when using max-ESR values to calculate.

PTH12000W Characteristic Data;  $V_{in} = 12\text{ V}$  (See Note A)

PTH12000W Safe Operating Area;  $V_{in} = 12\text{ V}$  (See Note B)



**Note A:** Characteristic data has been developed from actual products tested at 25°C. This data is considered typical data for the Converter.

**Note B:** SOA curves represent the conditions at which internal components are at or below the manufacturer's maximum operating temperatures. Derating limits apply to modules soldered directly to a 4 in. × 4 in. double-sided PCB with 1 oz. copper.

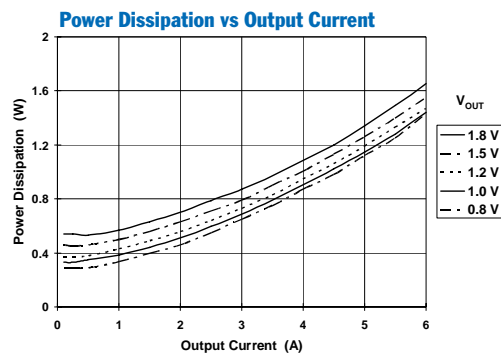
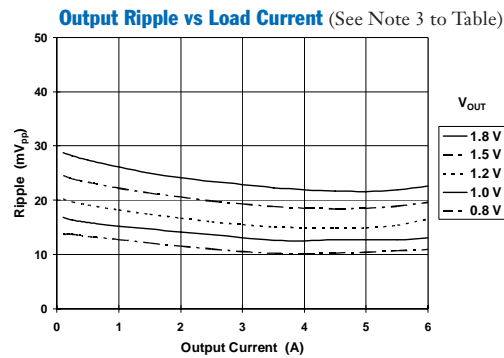
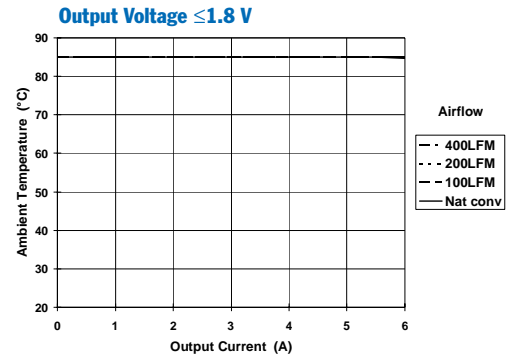
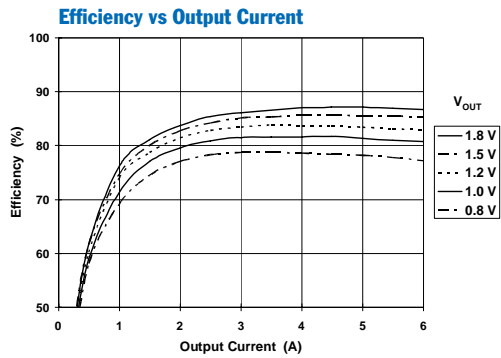
**Electrical Specifications** Unless otherwise stated,  $T_a = 25^\circ\text{C}$ ,  $V_{in} = 12\text{ V}$ ,  $V_o = 1.8\text{ V}$ ,  $C_1 = 100\ \mu\text{F}$ ,  $C_2 = 0\ \mu\text{F}$ ,  $C_3 = 0\ \mu\text{F}$ , and  $I_o = I_{o,max}$

Characteristics	Symbols	Conditions	PTH12000L			Units
			Min	Typ	Max	
Output Current	$I_o$	Over $\Delta V_{adj}$ range, $T_a = 85^\circ\text{C}$ , natural convection	0	—	6	A
Input Voltage Range	$V_{in}$	Over $I_o$ range	10.8	—	13.2	V
Set-Point Voltage Tolerance	$V_o\text{ tol}$		—	—	$\pm 2$ (1)	$\%V_o$
Temperature Variation	$\Delta\text{Reg}_{temp}$	$-40^\circ\text{C} < T_a < +85^\circ\text{C}$	—	$\pm 0.5$	—	$\%V_o$
Line Regulation	$\Delta\text{Reg}_{line}$	Over $V_{in}$ range	—	$\pm 5$	—	mV
Load Regulation	$\Delta\text{Reg}_{load}$	Over $I_o$ range	—	$\pm 5$	—	mV
Total Output Variation	$\Delta\text{Reg}_{tot}$	Includes set-point, line, load, $-40^\circ\text{C} \leq T_a \leq +85^\circ\text{C}$	—	—	$\pm 3$ (1)	$\%V_o$
Output Voltage Adjust Range	$\Delta V_{adj}$	Over $V_{in}$ range	0.8	—	1.8	V
Efficiency	$\eta$	$V_{in} = 12\text{ V}$ , $I_o = 4\text{ A}$ $R_{SET} = 130\ \Omega$ $V_o = 1.8\text{ V}$ $R_{SET} = 3.57\ \text{k}\Omega$ $V_o = 1.5\text{ V}$ $R_{SET} = 12.1\ \text{k}\Omega$ $V_o = 1.2\text{ V}$ $R_{SET} = 32.4\ \text{k}\Omega$ $V_o = 1.0\text{ V}$ $R_{SET} = \text{Open cct}$ $V_o = 0.8\text{ V}$	—	87 86 85 82 79	—	%
$V_o$ Ripple (pk-pk)	$V_r$	20 MHz bandwidth, $I_o = 4\text{ A}$ $C_3 = 10\ \mu\text{F}$ ceramic $V_o > 1.2\text{ V}$ $V_o \leq 1.2\text{ V}$	—	25 (2) 20 (2)	—	mVpp
Transient Response	$t_{tr}$ $\Delta V_{tr}$	1 A/ $\mu\text{s}$ load step, 50 to 100 % $I_{o,max}$ , $V_o = 1.8\text{ V}$ , $C_2 = 100\ \mu\text{F}$ Recovery time $V_o$ over/undershoot	—	70 100	—	$\mu\text{Sec}$ mV
Over-Current Threshold	$I_o$ trip	Reset followed by auto-recovery	—	12	—	A
Under-Voltage Lockout	UVLO	$V_{in}$ increasing $V_{in}$ decreasing	— 8.8	—	10.4 —	V
Inhibit Control (pin 3) Input High Voltage Input Low Voltage Input Low Current	$V_{IH}$ $V_{IL}$ $I_{IL}$	Referenced to GND  Pin 3 to GND	$V_{in} - 0.5$ -0.2	—	Open (3) 0.5	V
Standby Input Current	$I_{in}$ standby	pins 1 & 3 connected	—	1	—	mA
Switching Frequency	$f_s$	Over $V_{in}$ and $I_o$ ranges	200	250	300	kHz
External Input Capacitance	$C_{in}$		100 (4)	—	—	$\mu\text{F}$
External Output Capacitance	$C_{out}$	Capacitance value non-ceramic ceramic Equiv. series resistance (non-ceramic)	0 0 4 (7)	100 (5) —	3,300 (6) 300	$\mu\text{F}$  m $\Omega$
Reliability	MTBF	Per Bellcore TR-332 50 % stress, $T_a = 40^\circ\text{C}$ , ground benign	9.4	—	—	$10^6$ Hrs

- Notes:** (1) The set-point voltage tolerance is affected by the tolerance and stability of  $R_{SET}$ . The stated limit is unconditionally met if  $R_{SET}$  has a tolerance of 1% with 100 ppm/ $^\circ\text{C}$  or better temperature stability.  
 (2) The pk-pk output ripple voltage is measured with an external 10  $\mu\text{F}$  ceramic capacitor. See the standard application schematic.  
 (3) The Inhibit control (pin 3) has an internal pull-up to  $V_{in}$ , and if left open-circuit the module will operate when input power is applied. A small low-leakage (<100 nA) MOSFET is recommended to control this input. See application notes for more information.  
 (4) The regulator requires a minimum of 100  $\mu\text{F}$  input capacitor with a minimum 750 mA $r_{ms}$  ripple current rating. For further information, consult the related application note on Capacitor Recommendations.  
 (5) An external output capacitor is not required for basic operation. Adding 100  $\mu\text{F}$  of distributed capacitance at the load will improve the transient response.  
 (6) This is the calculated maximum. The minimum ESR limitation will often result in a lower value. Consult the application notes for further guidance.  
 (7) This is the typical ESR for all the electrolytic (non-ceramic) output capacitance. Use 7 m $\Omega$  as the minimum when using max-ESR values to calculate.

PTH12000L Characteristic Data,  $V_{in} = 12\text{ V}$  (See Note A)

PTH12000L Safe Operating Area;  $V_{in} = 12\text{ V}$  (See Note B)



**Note A:** Characteristic data has been developed from actual products tested at 25°C. This data is considered typical data for the Converter.

## Capacitor Recommendations for the PTH12000 Wide-Output Adjust Power Modules

### Input Capacitor

The recommended input capacitance is determined by the 100  $\mu\text{F}$  minimum capacitance and 750 mArms minimum ripple current rating. A 10- $\mu\text{F}$  X5R/X7R ceramic capacitor may also be added to reduce the reflected input ripple current [3]. The ceramic capacitor should be located between the input electrolytic and the module.

Ripple current, less than 150 m $\Omega$  equivalent series resistance (ESR) and temperature are major considerations when selecting input capacitors. Unlike polymer-tantalum capacitors, regular tantalum capacitors have a recommended minimum voltage rating of  $2 \times$  (max. DC voltage + AC ripple). This is standard practice to ensure reliability. No tantalum capacitors were found with sufficient voltage rating to meet this requirement. At temperatures below 0  $^{\circ}\text{C}$ , the ESR of aluminum electrolytic capacitors increases. For these applications Os-Con, polymer-tantalum, and polymer-aluminum types should be considered.

### Output Capacitors (Optional)

For applications with load transients (sudden changes in load current), regulator response will benefit from external output capacitance. The value of 100  $\mu\text{F}$  is used to define the transient response specification (see data sheet). For most applications, a high quality computer-grade aluminum electrolytic capacitor is adequate. These capacitors provide decoupling over the frequency range, 2 kHz to 150 kHz, and are suitable for ambient temperatures above 0  $^{\circ}\text{C}$ . Below 0  $^{\circ}\text{C}$ , tantalum, ceramic or Os-Con type capacitors are recommended. When using one or more non-ceramic capacitors, the calculated equivalent ESR should be no lower than 4 m $\Omega$  (7 m $\Omega$  using the manufacturer's maximum ESR for a single capacitor). A list of preferred low-ESR type capacitors are identified in Table 1-1.

In addition to electrolytic capacitance, adding a 10- $\mu\text{F}$  X5R/X7R ceramic capacitor to the output will reduce the output ripple voltage and improve the regulator's transient response. The measurement of both the output ripple and transient response is also best achieved across a 10- $\mu\text{F}$  ceramic capacitor.

### Ceramic Capacitors

Above 150 kHz the performance of aluminum electrolytic capacitors is less effective. Multilayer ceramic capacitors have very low ESR and a resonant frequency higher than the bandwidth of the regulator. They can be used to reduce the reflected ripple current at the input [3] and improve the transient response of the output. When used on the output their combined ESR is not critical as long as the total value of ceramic capacitance does not exceed 300  $\mu\text{F}$ . Also, to prevent the formation of local resonances, do not place more than five identical ceramic capacitors in parallel with values of 10  $\mu\text{F}$  or greater.

### Tantalum Capacitors

Tantalum type capacitors are most suited for use on the output bus, and are recommended for applications where the ambient operating temperature can be less than 0  $^{\circ}\text{C}$ . The AVX TPS, Sprague 593D/594/595 and Kemet T495/T510 capacitor series are suggested over other tantalum types due to their higher rated surge, power dissipation, and ripple current capability. As a caution many general purpose tantalum capacitors have considerably higher ESR, reduced power dissipation and lower ripple current capability. These capacitors are also less reliable as they have lower power dissipation and surge current ratings. Tantalum capacitors that do not have a stated ESR or surge current rating are not recommended for power applications.

When specifying Os-con and polymer tantalum capacitors for the output, the minimum ESR limit will be encountered well before the maximum capacitance value is reached.

### Capacitor Table

Table 1-1 identifies the characteristics of capacitors from a number of vendors with acceptable ESR and ripple current (rms) ratings. The recommended number of capacitors required at both the input and output buses is identified for each capacitor type.

*This is not an extensive capacitor list. Capacitors from other vendors are available with comparable specifications. Those listed are for guidance. The RMS ripple current rating and ESR (at 100 kHz) are critical parameters necessary to insure both optimum regulator performance and long capacitor life.*

### Designing for Very Fast Load Transients

The transient response of the DC/DC converter has been characterized using a load transient with a di/dt of 1 A/ $\mu\text{s}$ . The typical voltage deviation for this load transient is given in the data sheet specification table using the optional value of output capacitance. As the di/dt of a transient is increased, the response of a converter's regulation circuit ultimately depends on its output capacitor decoupling network. This is an inherent limitation with any DC/DC converter once the speed of the transient exceeds its bandwidth capability. If the target application specifies a higher di/dt or lower voltage deviation, the requirement can only be met with additional output capacitor decoupling. In these cases special attention must be paid to the type, value and ESR of the capacitors selected.

If the transient performance requirements exceed that specified in the data sheet, the selection of output capacitors becomes more important.

**Table 1-1: Input/Output Capacitors**

Capacitor Vendor/ Type Series (Style)	Capacitor Characteristics					Quantity		Vendor Number
	Working Voltage	Value (µF)	Max. ESR @ 100 kHz	Max. Ripple at 85 °C Current (Irms)	Physical Size (mm)	Input Bus	Output Bus	
Panasonic, Aluminum FC (Radial) FK (SMD)	25 V 35 V 25 V	330 µF 180 µF 470 µF	0.090 Ω 0.090 Ω 0.080 Ω	755 mA 755 mA 850 mA	10×12.5 10×12.5 10×10.2	1 1 1	1 1 1	EEUFC1E331 EEUFC1V181 EEVFK1E471P
United Chemi-con PXA, Poly-Aluminum (SMD) FP, Os-con (Radial) FS, Os-con (Radial) LXZ, Aluminum (Radial)	16 V 20 V 20 V 35 V	150 µF 120 µF 100 µF 220 µF	0.026 Ω 0.024 Ω 0.030 Ω 0.090 Ω	3430 mA 3100 mA 2740 mA 760 mA	10×7.7 8×10.5 8×10.5 10×12.5	1 1 1 1	≤4 ≤4 ≤4 1	PXA16VC151MJ80TP 20FP120MG 20FS100M LXZ35VB221M10X12LL
Nichicon Aluminum HD, (Radial) PM, (Radial)	25 V 35 V	220 µF 220 µF	0.072 Ω 0.090 Ω	760 mA 770 mA	8×11.5 10×15	1 1	1 1	UHD1E221MPR UPM1V221MHH6
Panasonic, Poly-Aluminum: WA (SMD) S/SE (SMD)	16 V 6.3 V	100 µF 180 µF	0.039 Ω 0.005 Ω	2500 mA 4000 mA	8×6.9 7.3×4.3×4.2	1 N/R [2]	≤5 ≤1 [1]	EEFWA1C101P EEFSE0J181R (V <sub>o</sub> ≤5.1V)
Sanyo SVP, Os-con (SMD) SP, Os-con (Radial) TPE, Pos-Ccap (SMD)	20 V 20 V 10 V	100 µF 120 µF 220 µF	0.024 Ω 0.024 Ω 0.025 Ω	>3300 mA >3100 mA >2400 mA	8×12 8×10.5 7.3×5.7	1 1 1	≤4 ≤4 ≤4	20SVP100M 20SP120M 10TPE220ML
AVX, Tantalum TPS (SMD)	10 V 10 V 25 V	100 µF 220 µF 68 µF	0.100 Ω 0.100 Ω 0.095 Ω	>1090 mA >1414 mA >1451 mA	7.3L ×4.3W ×4.1H	N/R [2] N/R [2] 2	≤5 ≤5 ≤5	TPSD107M010R0100 TPSV227M010R0100 TPSV686M025R0095
Kemet T520, Poy-Tant (SMD) T495, Tantalum (SMD)	10 V 10 V	100 µF 100 µF	0.080 Ω 0.100 Ω	1200 mA >1100 mA	7.3L×5.7W ×4.0H	N/R [2] N/R [2]	≤5 ≤5	T520D107M010AS T495X107M010AS
Vishay-Sprague 594D, Tantalum (SMD) 94SP, Organic (Radial)	10 V 25 V 16 V	150 µF 68 µF 100 µF	0.090 Ω 0.095 Ω 0.070 Ω	1100 mA 1600 mA 2890 mA	7.3L×6.0W ×4.1H 10×10.5	N/R [2] 2 1	≤5 ≤5 ≤5	594D157X0010C2T 594D686X0025R2T 94SP107X0016FBP
Kemet, Ceramic X5R (SMD)	16 V 6.3 V	10 µF 47 µF	0.002 Ω 0.002 Ω	—	1210 case 3225 mm	1 [3] N/R [2]	≤5 ≤5 [1]	C1210C106M4PAC C1210C476K9PAC (V <sub>o</sub> ≤5.1V)
Murata, Ceramic X5R (SMD)	6.3 V 6.3 V 16 V 16 V	100 µF 47 µF 22 µF 10 µF	0.002 Ω	—	1210 case 3225 mm	N/R [2] N/R [2] 1 [3] 1 [3]	≤3 [1] ≤5 [1] ≤5 ≤5	GRM32ER60J107M (V <sub>o</sub> ≤5.1V) GRM32ER60J476M (V <sub>o</sub> ≤5.1V) GRM32ER61C226K GRM32DR61C106K
TDK, Ceramic X5R (SMD)	6.3 V 6.3 V 16 V 16 V	100 µF 47 µF 22 µF 10 µF	0.002 Ω	—	1210 case 3225 mm	N/R [2] N/R [2] 1 [3] 1 [3]	≤3 [1] ≤5 [1] ≤5 ≤5	C3225X5R0J107MT (V <sub>o</sub> ≤5.1V) C3225X5R0J476MT (V <sub>o</sub> ≤5.1V) C3225X5R1C226MT C3225X5R1C106MT

[1] The voltage rating of this capacitor only allows it to be used for output voltages that are equal to or less than 5.1 V

[2] N/R –Not recommended. The capacitor voltage rating does not meet the minimum derated operating limits.

[3] A ceramic capacitor may be used to complement electrolytic types at the input to further reduce high-frequency ripple current.

### Adjusting the Output Voltage of the PTH12000x Wide-Output Adjust Power Modules

The  $V_o$  Adjust control (pin 4) sets the output voltage of the PTH12000 product. The adjustment range is from 1.2 V to 5.5 V for the W-suffix modules, and 0.8 V to 1.8 V for L-suffix modules. The adjustment method requires the addition of a single external resistor,  $R_{set}$ , that must be connected directly between the  $V_o$  Adjust and GND pins<sup>1</sup>. Table 2-1 gives the preferred value of the external resistor for a number of standard voltages, along with the actual output voltage that this resistance value provides. Figure 2-1 shows the placement of the required resistor.

**Table 2-1; Preferred Values of  $R_{set}$  for Standard Output Voltages**

$V_{out}$ (Req'd)	PTH12000W		PTH12000L	
	$R_{set}$	$V_{out}$ (Actual)	$R_{set}$	$V_{out}$ (Actual)
5 V	280 $\Omega$	5.009 V	N/A	N/A
3.3 V	2.0 k $\Omega$	3.294 V	N/A	N/A
2.5 V	4.32 k $\Omega$	2.503 V	N/A	N/A
2 V	8.06 k $\Omega$	2.010 V	N/A	N/A
1.8 V	11.5 k $\Omega$	1.801 V	130 $\Omega$	1.800 V
1.5 V	24.3 k $\Omega$	1.506 V	3.57 k $\Omega$	1.499 V
1.2 V	Open	1.200 V	12.1 k $\Omega$	1.201 V
1.1 V	N/A	N/A	18.7 k $\Omega$	1.101 V
1.0 V	N/A	N/A	32.4 k $\Omega$	0.999 V
0.9 V	N/A	N/A	71.5 k $\Omega$	0.901 V
0.8 V	N/A	N/A	Open	0.800 V

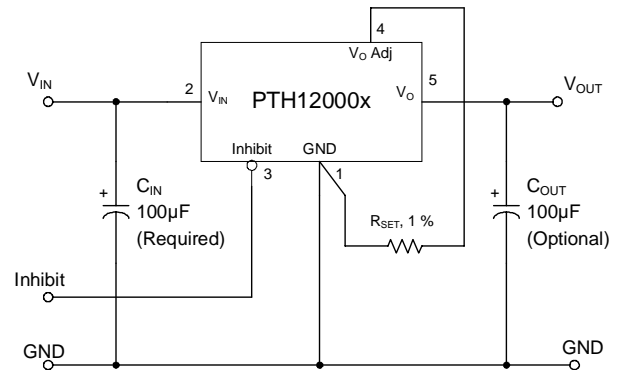
For other output voltages the value of the required resistor can either be calculated, or simply selected from the range of values given in Table 2-3. The following formula may be used for calculating the adjust resistor value. Select the appropriate value for the parameters,  $R_s$  and  $V_{min}$ , from Table 2.2.

$$R_{set} = 10 \text{ k}\Omega \cdot \frac{0.8 \text{ V}}{V_{out} - V_{min}} - R_s \text{ k}\Omega$$

**Table 2.2; Adjust Formula Parameters**

Pt. No.	PTH12000W	PTH12000L
$V_{min}$	1.2 V	0.8 V
$V_{max}$	5.5 V	1.8 V
$R_s$	1.82 k $\Omega$	7.87 k $\Omega$

**Figure 2-1;  $V_o$  Adjust Resistor Placement**



**Notes:**

1. A 0.05-W rated resistor may be used. The tolerance should be 1 %, with a temperature stability of 100 ppm/°C or better. Place the resistor as close to the regulator as possible. Connect the resistor directly between pins 4 and 1 using dedicated PCB traces.
2. Never connect capacitors from  $V_o$  Adjust to either GND or  $V_{out}$ . Any capacitance added to the  $V_o$  Adjust pin will affect the stability of the regulator.

PTH12000 Series

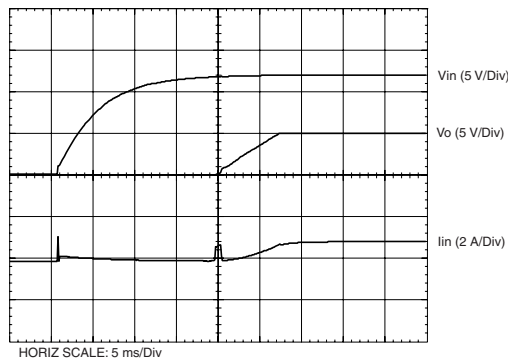
**Table 2-3; Output Voltage Set-Point Resistor Values**

PTH12000W				PTH12000L	
V <sub>OUT</sub>	R <sub>SET</sub>	V <sub>OUT</sub>	R <sub>SET</sub>	V <sub>OUT</sub>	R <sub>SET</sub>
1.200	Open	2.70	3.51 kΩ	0.800	Open
1.225	318.0 kΩ	2.75	3.34 kΩ	0.825	312.0 kΩ
1.250	158.0 kΩ	2.80	3.18 kΩ	0.850	152.0 kΩ
1.275	105.0 kΩ	2.85	3.03 kΩ	0.875	98.8 kΩ
1.300	78.2 kΩ	2.90	2.89 kΩ	0.900	72.1 kΩ
1.325	62.2 kΩ	2.95	2.75 kΩ	0.925	56.1 kΩ
1.350	51.5 kΩ	3.00	2.62 kΩ	0.950	45.5 kΩ
1.375	43.9 kΩ	3.05	2.50 kΩ	0.975	37.8 kΩ
1.400	38.2 kΩ	3.10	2.39 kΩ	1.000	32.1 kΩ
1.425	33.7 kΩ	3.15	2.28 kΩ	1.025	27.7 kΩ
1.450	30.2 kΩ	3.20	2.18 kΩ	1.050	24.1 kΩ
1.475	27.3 kΩ	3.25	2.08 kΩ	1.075	21.2 kΩ
1.50	24.8 kΩ	3.30	1.99 kΩ	1.100	18.8 kΩ
1.55	21.0 kΩ	3.35	1.90 kΩ	1.125	16.7 kΩ
1.60	18.2 kΩ	3.40	1.82 kΩ	1.150	15.0 kΩ
1.65	16.0 kΩ	3.50	1.66 kΩ	1.175	13.5 kΩ
1.70	14.2 kΩ	3.60	1.51 kΩ	1.200	12.1 kΩ
1.75	12.7 kΩ	3.70	1.38 kΩ	1.225	11.0 kΩ
1.80	11.5 kΩ	3.80	1.26 kΩ	1.250	9.91 kΩ
1.85	10.5 kΩ	3.90	1.14 kΩ	1.275	8.97 kΩ
1.90	9.61 kΩ	4.00	1.04 kΩ	1.300	8.13 kΩ
1.95	8.85 kΩ	4.10	939 Ω	1.325	7.37 kΩ
2.00	8.18 kΩ	4.20	847 Ω	1.350	6.68 kΩ
2.05	7.59 kΩ	4.30	761 Ω	1.375	6.04 kΩ
2.10	7.07 kΩ	4.40	680 Ω	1.400	5.46 kΩ
2.15	6.60 kΩ	4.50	604 Ω	1.425	4.93 kΩ
2.20	6.18 kΩ	4.60	533 Ω	1.450	4.44 kΩ
2.25	5.80 kΩ	4.70	466 Ω	1.475	3.98 kΩ
2.30	5.45 kΩ	4.80	402 Ω	1.50	3.56 kΩ
2.35	5.14 kΩ	4.90	342 Ω	1.55	2.8 kΩ
2.40	4.85 kΩ	5.00	285 Ω	1.60	2.13 kΩ
2.45	4.58 kΩ	5.10	231 Ω	1.65	1.54 kΩ
2.50	4.33 kΩ	5.20	180 Ω	1.70	1.02 kΩ
2.55	4.11 kΩ	5.30	131 Ω	1.75	551 Ω
2.60	3.89 kΩ	5.40	85 Ω	1.80	130 Ω
2.65	3.70 kΩ	5.50	41 Ω		

### Power-Up Characteristics

When configured per the standard application, the PTH12000x power modules produce a regulated output voltage whenever of a valid input voltage is applied from  $V_{in}$  (pin 2), with respect to  $GND$  (pin 1). During the power-up period, internal soft-start circuitry slows the rate that the output voltage rises. This reduces the in-rush current drawn from the input source. The soft-start circuitry also introduces a short time delay (typically 12 ms) into the power-up characteristic. The delay is from the point that a valid input source is recognized, to the initial rise of the output voltage. Figure 3-1 shows the power-up characteristic of the PTH12000W with the output voltage set to 5-V. The waveforms were measured with a 2-A resistive load. The initial rise in input current when the input voltage first starts to rise is the charge current drawn by the input capacitors.

Figure 3-1



### Over-Current Protection

For protection against load faults, this series incorporates output over-current protection. Applying a load that exceeds the module's over-current threshold will cause the regulated output to shut down. Following shut down the module will periodically attempt to recover by initiating a soft-start power-up. This is often described as a "hiccup" mode of operation, whereby the module continues in the cycle of successive shut down and power up until the load fault is removed. During this period, the average current flowing into the fault is significantly reduced. Once the fault is removed, the module automatically recovers and returns to normal operation.

### Output On/Off Inhibit

The inhibit control (pin 3) is used wherever there is a requirement to turn off the regulator output while input power is applied.

The power modules function normally when the Inhibit pin is left open-circuit, providing a regulated output whenever a valid source voltage is connected to  $V_{in}$  with respect to  $GND$ .

Figure 3-2 shows the typical application of the inhibit function. Note the discrete transistor ( $Q_1$ ). The *Inhibit* pin has its own internal pull-up to  $V_{in}$  potential. An open-collector or open-drain device is recommended to control this input.

Turning  $Q_1$  on applies a low voltage to the inhibit control and disables the output of the module. If  $Q_1$  is then turned off, the module will execute a soft-start power-up. A regulated output voltage is produced within 25 msec. Figure 3-3 shows the typical rise in both the output voltage and input current, following the turn-off of  $Q_1$ . The turn off of  $Q_1$  corresponds to the rise in the waveform,  $V_{inh}$ . The waveforms were measured with a 5-V output and 2-A resistive load.

Figure 3-2

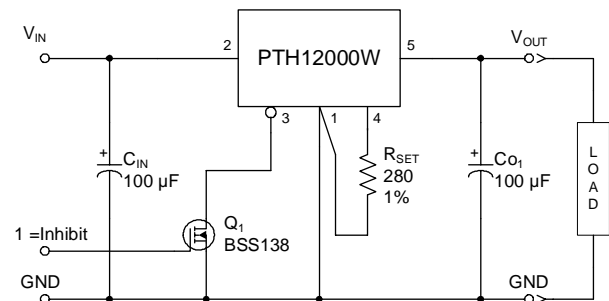
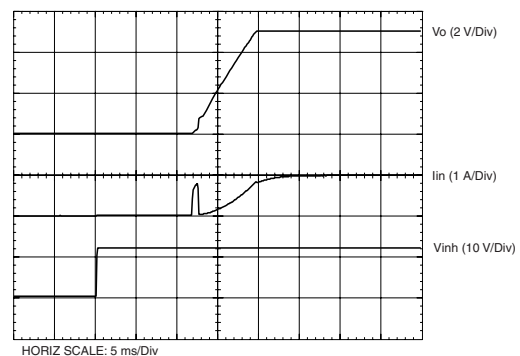


Figure 3-3



### Pre-Bias Startup Capability

The capability to start up into an output pre-bias condition is now a feature of the PTH12000 series of modules. (Note: This is a feature enhancement for the the W-suffix version; see note 1).

A pre-bias startup condition occurs as a result of an external voltage being present at the output of a power module prior to its output becoming active. This often occurs in complex digital systems when current from another power source is backedfed through a dual-supply logic component, such as an FPGA or ASIC. Another path might be via clamp diodes, sometimes used as part of a dual-supply power-up sequencing arrangement. A prebias can cause problems with power modules that incorporate synchronous rectifiers. This is because under most operating conditions, such modules can sink as well as source output current. The PTH12000x series of modules incorporate synchronous rectifiers, but will not sink current during startup, or whenever the *Inhibit* pin is held low. Startup includes an initial delay (approx. 8 - 15 ms), followed by the rise of the output voltage under the control of the module's internal soft-start mechanism; see Figure 3-1.

### Conditions for Pre-Bias Holdoff

In order for the module to allow an output pre-bias voltage to exist (and not sink current), certain conditions must be maintained. The module holds off a pre-bias voltage when

the *Inhibit* pin is held low, and whenever the output is allowed to rise under soft-start control. Power up under soft-start control occurs upon the removal of the ground signal to the *Inhibit* pin (with input voltage applied), or when input power is applied. To further ensure that the regulator doesn't sink output current, (even with a ground signal applied to its *Inhibit*), the input voltage must always be greater than the applied pre-bias source. This condition must exist throughout the power-up sequence <sup>3</sup>.

The soft-start period is complete when the output begins rising above the pre-bias voltage. Once it is complete the module functions as normal, and will sink current if a voltage higher than the nominal regulation value is applied to its output.

*Note: If a pre-bias condition is not present, the soft-start period will be complete when the output voltage has risen to either the set-point voltage.*

### Demonstration Circuit

The circuit shown in Figure 3-4 is a demonstrates the pre-bias startup feature. Figure 3-5 shows the startup waveforms. The initial rise in  $V_{O2}$  is the pre-bias voltage, which is passed from the VCCIO to the VCORE voltage rail through the ASIC. Note that the output current from the PTH12000L module ( $I_{O2}$ ) is negligible until its output voltage rises above the applied pre-bias.

**Figure 3-4; Application Circuit Demonstrating Pre-Bias Startup**

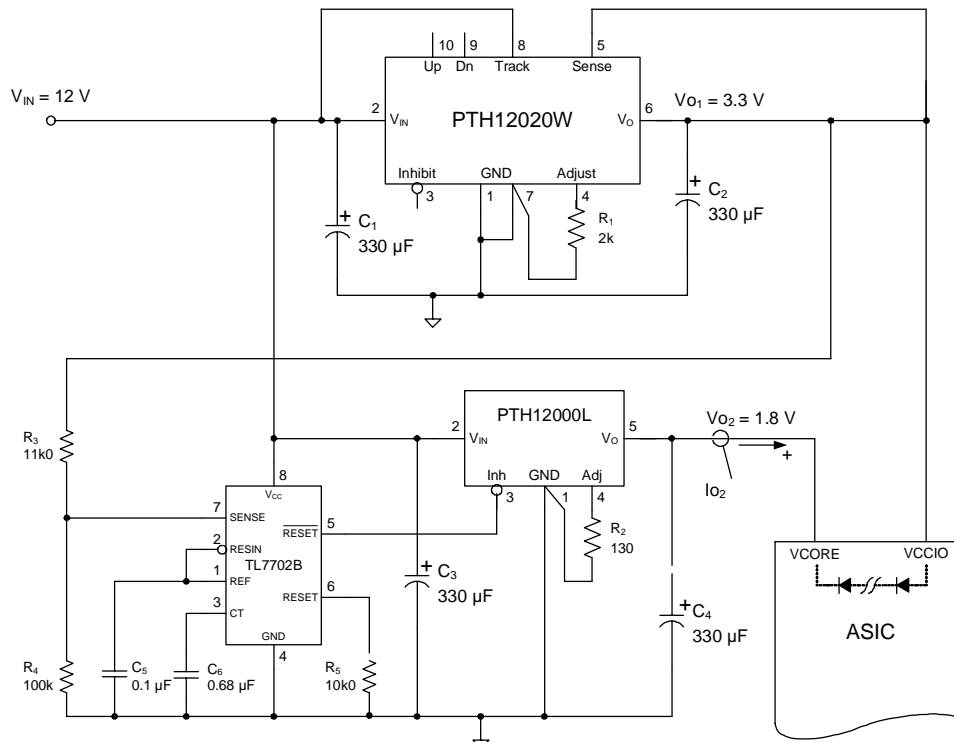
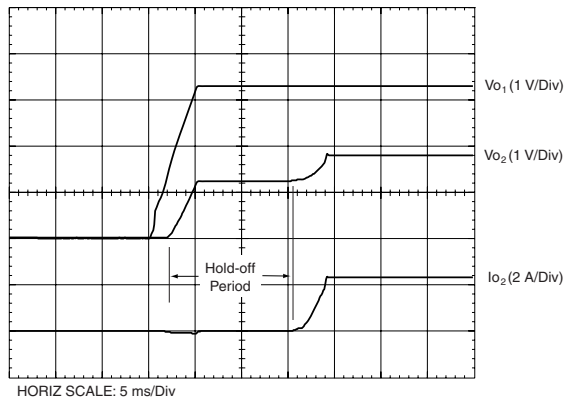


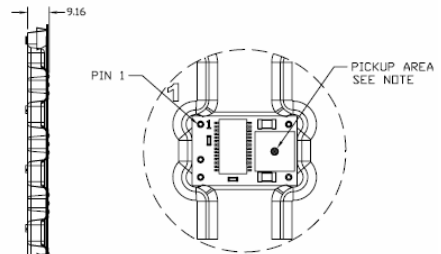
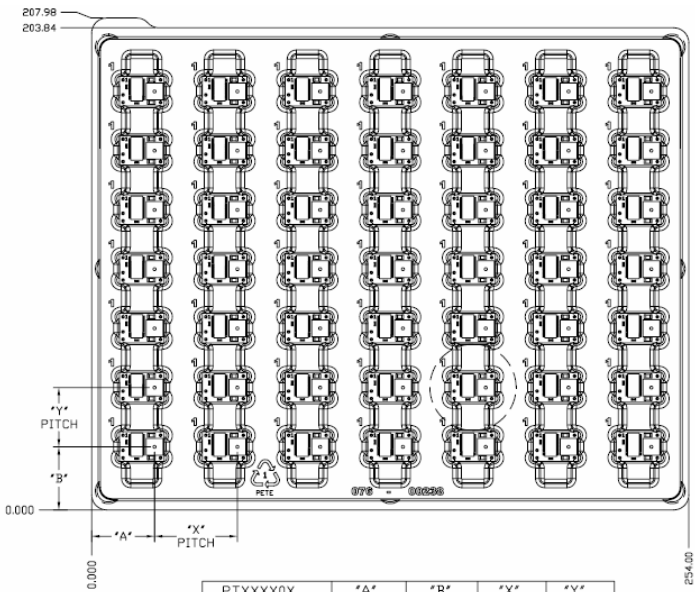
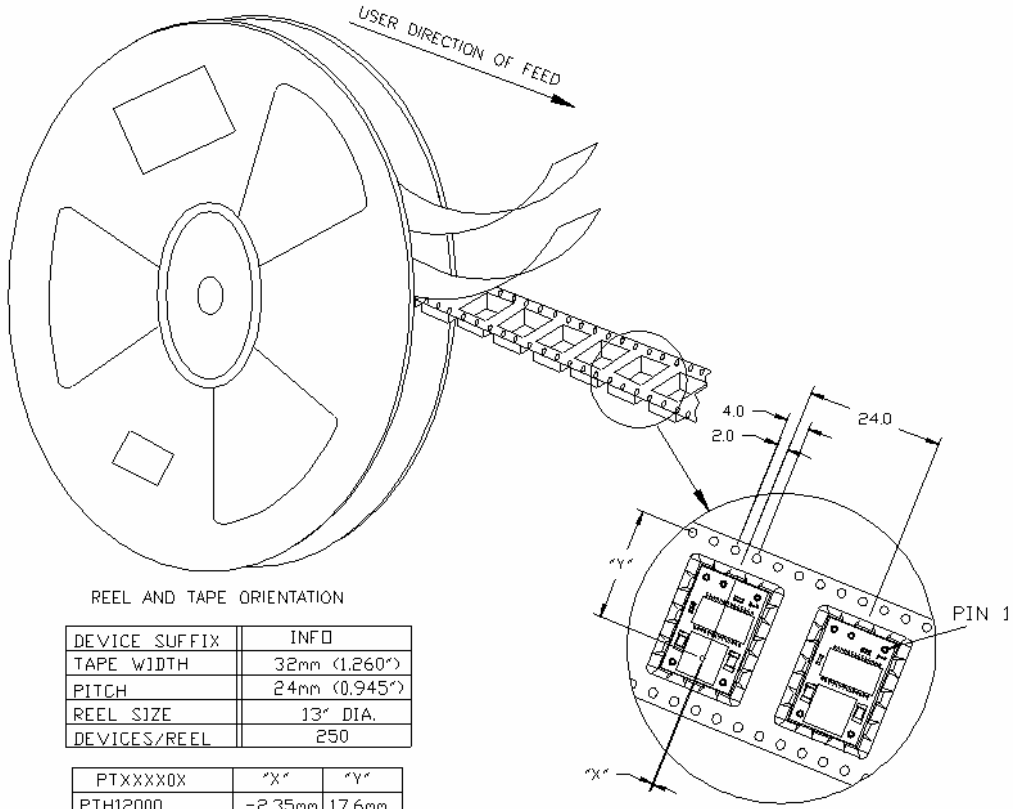
Figure 3-5; Pre-Bias Startup Waveforms



## Notes

1. Output pre-bias holdoff has now been incorporated into the W-suffix modules (PTH12000W), with a production lot date code of "0423" or later.
2. To further ensure that the regulator's output does not sink current when power is first applied (even with a ground signal applied to the *Inhibit* control pin), the input voltage must always be greater than the applied pre-bias source. This condition must exist throughout the power-up sequence of the power system.

# PTH12000 Tape & Reel and Tray Specification



NOTE: THE INDUCTOR IS USED TO PICK AND PLACE THE MODULE. IT'S LOCATION MAY VARY FROM PACKAGE STYLE. SEE PRODUCT TABLE

DEVICES/TRAY	49
--------------	----

PTXXX0X	"A"	"B"	"X"	"Y"
PTH12000	24.63	24.43	35.00	25.05

ALL DIMENSIONS ARE IN MILLIMETER.

**PACKAGING INFORMATION**

Orderable Device	Status (1)	Package Type	Package Drawing	Pins	Package Qty	Eco Plan (2)	Lead/Ball Finish	MSL Peak Temp (3)	Op Temp (°C)	Top-Side Markings (4)	Samples
PTH12000LAH	ACTIVE	Through-Hole Module	EUS	5	56	Pb-Free (RoHS)	SN	N / A for Pkg Type	-40 to 85		<a href="#">Samples</a>
PTH12000LAS	ACTIVE	Surface Mount Module	EUT	5	49	TBD	SNPB	Level-1-235C-UNLIM/ Level-3-260C-168HRS	-40 to 85		<a href="#">Samples</a>
PTH12000LAST	ACTIVE	Surface Mount Module	EUT	5	250	TBD	SNPB	Level-1-235C-UNLIM/ Level-3-260C-168HRS	-40 to 85		<a href="#">Samples</a>
PTH12000LAZ	ACTIVE	Surface Mount Module	EUT	5	49	Pb-Free (RoHS)	SNAGCU	Level-3-260C-168 HR	-40 to 85		<a href="#">Samples</a>
PTH12000LAZT	ACTIVE	Surface Mount Module	EUT	5	250	Pb-Free (RoHS)	SNAGCU	Level-3-260C-168 HR	-40 to 85		<a href="#">Samples</a>
PTH12000WAD	ACTIVE	Through-Hole Module	EUS	5	56	Pb-Free (RoHS)	SN	N / A for Pkg Type	-40 to 85		<a href="#">Samples</a>
PTH12000WAH	ACTIVE	Through-Hole Module	EUS	5	56	Pb-Free (RoHS)	SN	N / A for Pkg Type	-40 to 85		<a href="#">Samples</a>
PTH12000WAS	ACTIVE	Surface Mount Module	EUT	5	49	TBD	SNPB	Level-1-235C-UNLIM/ Level-3-260C-168HRS	-40 to 85		<a href="#">Samples</a>
PTH12000WAST	ACTIVE	Surface Mount Module	EUT	5	250	TBD	SNPB	Level-1-235C-UNLIM/ Level-3-260C-168HRS	-40 to 85		<a href="#">Samples</a>
PTH12000WAZ	ACTIVE	Surface Mount Module	EUT	5	49	Pb-Free (RoHS)	SNAGCU	Level-3-260C-168 HR	-40 to 85		<a href="#">Samples</a>
PTH12000WAZT	ACTIVE	Surface Mount Module	EUT	5	250	Pb-Free (RoHS)	SNAGCU	Level-3-260C-168 HR	-40 to 85		<a href="#">Samples</a>

(1) The marketing status values are defined as follows:

**ACTIVE:** Product device recommended for new designs.

**LIFEBUY:** TI has announced that the device will be discontinued, and a lifetime-buy period is in effect.

**NRND:** Not recommended for new designs. Device is in production to support existing customers, but TI does not recommend using this part in a new design.

**PREVIEW:** Device has been announced but is not in production. Samples may or may not be available.

**OBSOLETE:** TI has discontinued the production of the device.

(2) Eco Plan - The planned eco-friendly classification: Pb-Free (RoHS), Pb-Free (RoHS Exempt), or Green (RoHS & no Sb/Br) - please check <http://www.ti.com/productcontent> for the latest availability information and additional product content details.

**TBD:** The Pb-Free/Green conversion plan has not been defined.

**Pb-Free (RoHS):** TI's terms "Lead-Free" or "Pb-Free" mean semiconductor products that are compatible with the current RoHS requirements for all 6 substances, including the requirement that lead not exceed 0.1% by weight in homogeneous materials. Where designed to be soldered at high temperatures, TI Pb-Free products are suitable for use in specified lead-free processes.

---

**Pb-Free (RoHS Exempt):** This component has a RoHS exemption for either 1) lead-based flip-chip solder bumps used between the die and package, or 2) lead-based die adhesive used between the die and leadframe. The component is otherwise considered Pb-Free (RoHS compatible) as defined above.

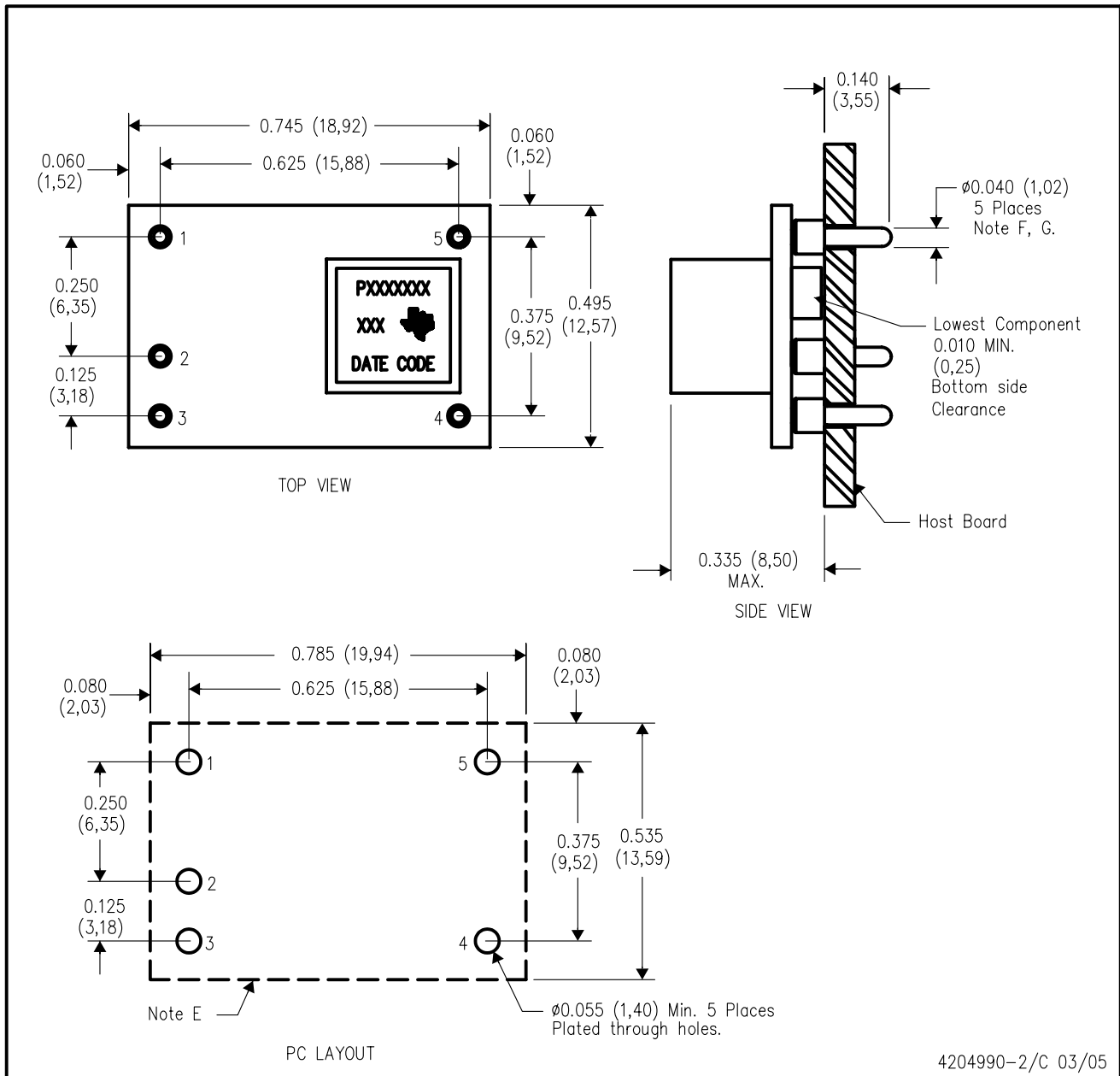
**Green (RoHS & no Sb/Br):** TI defines "Green" to mean Pb-Free (RoHS compatible), and free of Bromine (Br) and Antimony (Sb) based flame retardants (Br or Sb do not exceed 0.1% by weight in homogeneous material)

<sup>(3)</sup> MSL, Peak Temp. -- The Moisture Sensitivity Level rating according to the JEDEC industry standard classifications, and peak solder temperature.

<sup>(4)</sup> Multiple Top-Side Markings will be inside parentheses. Only one Top-Side Marking contained in parentheses and separated by a "~" will appear on a device. If a line is indented then it is a continuation of the previous line and the two combined represent the entire Top-Side Marking for that device.

**Important Information and Disclaimer:** The information provided on this page represents TI's knowledge and belief as of the date that it is provided. TI bases its knowledge and belief on information provided by third parties, and makes no representation or warranty as to the accuracy of such information. Efforts are underway to better integrate information from third parties. TI has taken and continues to take reasonable steps to provide representative and accurate information but may not have conducted destructive testing or chemical analysis on incoming materials and chemicals. TI and TI suppliers consider certain information to be proprietary, and thus CAS numbers and other limited information may not be available for release.

In no event shall TI's liability arising out of such information exceed the total purchase price of the TI part(s) at issue in this document sold by TI to Customer on an annual basis.

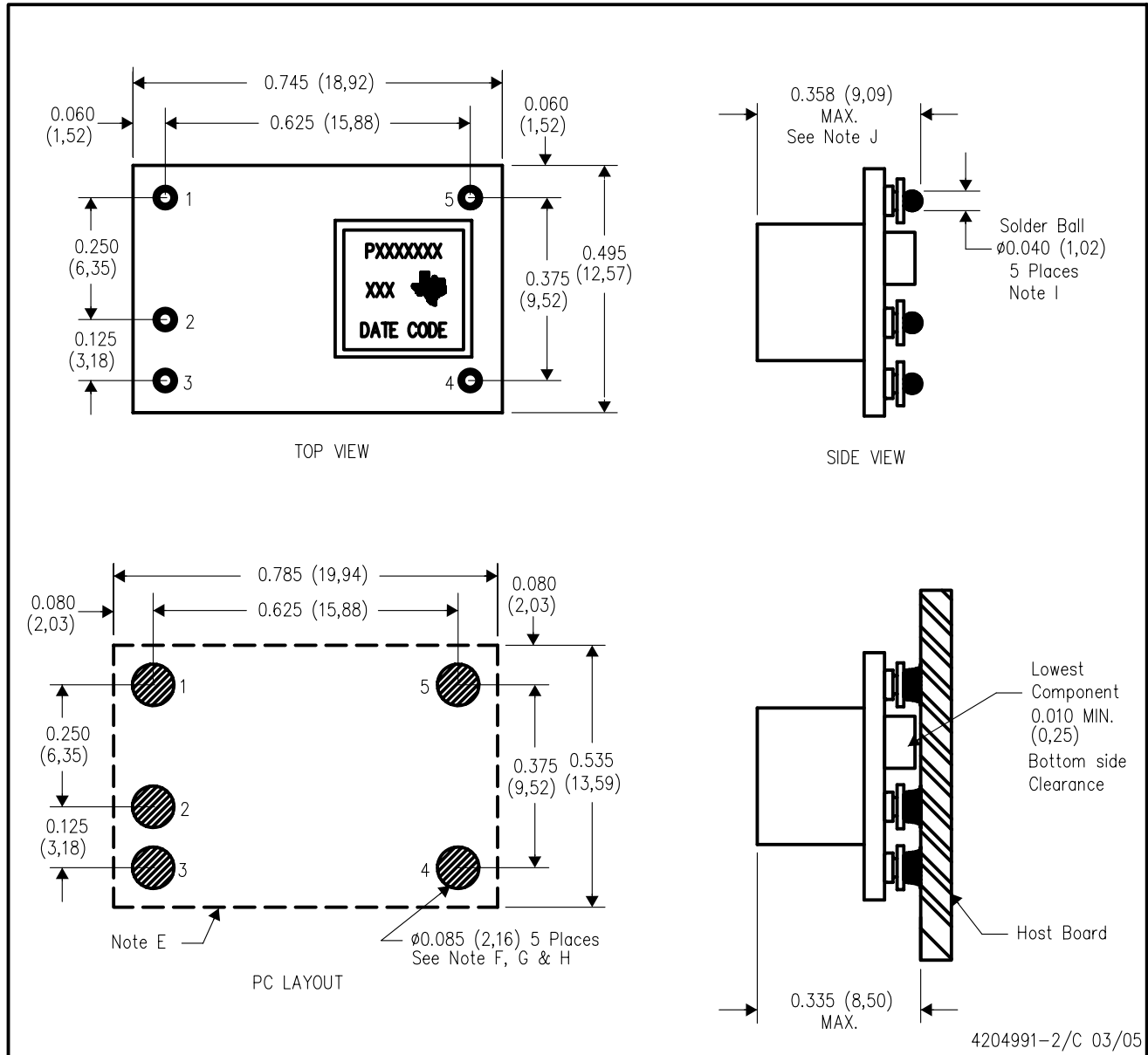


4204990-2/C 03/05

- NOTES:
- A. All linear dimensions are in inches (mm).
  - B. This drawing is subject to change without notice.
  - C. 2 place decimals are  $\pm 0.030$  ( $\pm 0,76$ mm).
  - D. 3 place decimals are  $\pm 0.010$  ( $\pm 0,25$ mm).
  - E. Recommended keep out area for user components.
  - F. Pins are 0.040" (1,02) diameter with 0.070" (1,78) diameter standoff shoulder.
  - G. All pins: Material - Copper Alloy  
Finish - Tin (100%) over Nickel plate

EUT (R-PDSS-B5)

DOUBLE SIDED MODULE



- NOTES:
- A. All linear dimensions are in inches (mm).
  - B. This drawing is subject to change without notice.
  - C. 2 place decimals are  $\pm 0.030$  ( $\pm 0,76$ mm).
  - D. 3 place decimals are  $\pm 0.010$  ( $\pm 0,25$ mm).
  - E. Recommended keep out area for user components.
  - F. Power pin connection should utilize two or more vias to the interior power plane of 0.025 (0,63) I.D. per input, ground and output pin (or the electrical equivalent).

- G. Paste screen opening: 0.080 (2,03) to 0.085 (2,16).  
Paste screen thickness: 0.006 (0,15).
- H. Pad type: Solder mask defined.
- I. All pins: Material - Copper Alloy  
Finish - Tin (100%) over Nickel plate  
Solder Ball - See product data sheet.
- J. Dimension prior to reflow solder.

## IMPORTANT NOTICE

Texas Instruments Incorporated and its subsidiaries (TI) reserve the right to make corrections, enhancements, improvements and other changes to its semiconductor products and services per JESD46, latest issue, and to discontinue any product or service per JESD48, latest issue. Buyers should obtain the latest relevant information before placing orders and should verify that such information is current and complete. All semiconductor products (also referred to herein as "components") are sold subject to TI's terms and conditions of sale supplied at the time of order acknowledgment.

TI warrants performance of its components to the specifications applicable at the time of sale, in accordance with the warranty in TI's terms and conditions of sale of semiconductor products. Testing and other quality control techniques are used to the extent TI deems necessary to support this warranty. Except where mandated by applicable law, testing of all parameters of each component is not necessarily performed.

TI assumes no liability for applications assistance or the design of Buyers' products. Buyers are responsible for their products and applications using TI components. To minimize the risks associated with Buyers' products and applications, Buyers should provide adequate design and operating safeguards.

TI does not warrant or represent that any license, either express or implied, is granted under any patent right, copyright, mask work right, or other intellectual property right relating to any combination, machine, or process in which TI components or services are used. Information published by TI regarding third-party products or services does not constitute a license to use such products or services or a warranty or endorsement thereof. Use of such information may require a license from a third party under the patents or other intellectual property of the third party, or a license from TI under the patents or other intellectual property of TI.

Reproduction of significant portions of TI information in TI data books or data sheets is permissible only if reproduction is without alteration and is accompanied by all associated warranties, conditions, limitations, and notices. TI is not responsible or liable for such altered documentation. Information of third parties may be subject to additional restrictions.

Resale of TI components or services with statements different from or beyond the parameters stated by TI for that component or service voids all express and any implied warranties for the associated TI component or service and is an unfair and deceptive business practice. TI is not responsible or liable for any such statements.

Buyer acknowledges and agrees that it is solely responsible for compliance with all legal, regulatory and safety-related requirements concerning its products, and any use of TI components in its applications, notwithstanding any applications-related information or support that may be provided by TI. Buyer represents and agrees that it has all the necessary expertise to create and implement safeguards which anticipate dangerous consequences of failures, monitor failures and their consequences, lessen the likelihood of failures that might cause harm and take appropriate remedial actions. Buyer will fully indemnify TI and its representatives against any damages arising out of the use of any TI components in safety-critical applications.

In some cases, TI components may be promoted specifically to facilitate safety-related applications. With such components, TI's goal is to help enable customers to design and create their own end-product solutions that meet applicable functional safety standards and requirements. Nonetheless, such components are subject to these terms.

No TI components are authorized for use in FDA Class III (or similar life-critical medical equipment) unless authorized officers of the parties have executed a special agreement specifically governing such use.

Only those TI components which TI has specifically designated as military grade or "enhanced plastic" are designed and intended for use in military/aerospace applications or environments. Buyer acknowledges and agrees that any military or aerospace use of TI components which have **not** been so designated is solely at the Buyer's risk, and that Buyer is solely responsible for compliance with all legal and regulatory requirements in connection with such use.

TI has specifically designated certain components as meeting ISO/TS16949 requirements, mainly for automotive use. In any case of use of non-designated products, TI will not be responsible for any failure to meet ISO/TS16949.

### Products

Audio	<a href="http://www.ti.com/audio">www.ti.com/audio</a>
Amplifiers	<a href="http://amplifier.ti.com">amplifier.ti.com</a>
Data Converters	<a href="http://dataconverter.ti.com">dataconverter.ti.com</a>
DLP® Products	<a href="http://www.dlp.com">www.dlp.com</a>
DSP	<a href="http://dsp.ti.com">dsp.ti.com</a>
Clocks and Timers	<a href="http://www.ti.com/clocks">www.ti.com/clocks</a>
Interface	<a href="http://interface.ti.com">interface.ti.com</a>
Logic	<a href="http://logic.ti.com">logic.ti.com</a>
Power Mgmt	<a href="http://power.ti.com">power.ti.com</a>
Microcontrollers	<a href="http://microcontroller.ti.com">microcontroller.ti.com</a>
RFID	<a href="http://www.ti-rfid.com">www.ti-rfid.com</a>
OMAP Applications Processors	<a href="http://www.ti.com/omap">www.ti.com/omap</a>
Wireless Connectivity	<a href="http://www.ti.com/wirelessconnectivity">www.ti.com/wirelessconnectivity</a>

### Applications

Automotive and Transportation	<a href="http://www.ti.com/automotive">www.ti.com/automotive</a>
Communications and Telecom	<a href="http://www.ti.com/communications">www.ti.com/communications</a>
Computers and Peripherals	<a href="http://www.ti.com/computers">www.ti.com/computers</a>
Consumer Electronics	<a href="http://www.ti.com/consumer-apps">www.ti.com/consumer-apps</a>
Energy and Lighting	<a href="http://www.ti.com/energy">www.ti.com/energy</a>
Industrial	<a href="http://www.ti.com/industrial">www.ti.com/industrial</a>
Medical	<a href="http://www.ti.com/medical">www.ti.com/medical</a>
Security	<a href="http://www.ti.com/security">www.ti.com/security</a>
Space, Avionics and Defense	<a href="http://www.ti.com/space-avionics-defense">www.ti.com/space-avionics-defense</a>
Video and Imaging	<a href="http://www.ti.com/video">www.ti.com/video</a>

### TI E2E Community

[e2e.ti.com](http://e2e.ti.com)