

# TIBPAL20L8-25C, TIBPAL20R4-25C, TIBPAL20R6-25C, TIBPAL20R8-25C LOW-POWER HIGH-PERFORMANCE IMPACT™ PAL® CIRCUITS

SRPS022A – D2920, MAY 1987 – REVISED DECEMBER 2010

- **Low-Power, High-Performance**  
Reduced  $I_{CC}$  of 105 mA Max  
 $f_{max}$ :  
Without Feedback . . . 33 MHz Min  
With Feedback . . . 25 MHz Min  
 $t_{pd}$  . . . 25 ns Max
- **Direct Replacement for PAL20L8A, PAL20R4A, PAL20R6A, PAL20L8A, with at Least 50% Reduction in Power**
- **Preload Capability on Output Registers Simplifies Testing**
- **Power-Up Clear on Registered Devices (All Register Outputs are Set Low, but Voltage Levels at the Output Pins Go High)**
- **Package Options Include Plastic Chip Carriers in Addition to Plastic and Ceramic DIPs**
- **Dependable Texas Instruments Quality and Reliability**

DEVICE	I INPUTS	3-STATE O OUTPUTS	REGISTERED Q OUTPUTS	I/O PORTS
PAL20L8	14	2	0	6
PAL20R4	12	0	4 (3-state buffers)	4
PAL20R6	12	0	6 (3-state buffers)	2
PAL20R8	12	0	8 (3-state buffers)	0

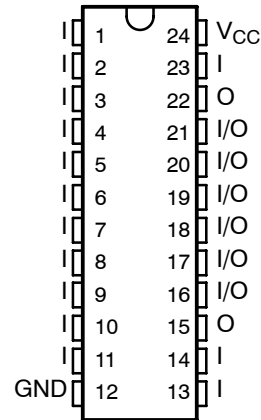
## description

These programmable array logic devices feature high speed and functional equivalency when compared with currently available devices. These IMPACT™ circuits combine the latest AdvancedLow-Power Schottky technology with proven titanium-tungsten fuses to provide reliable, high-performance substitutes for conventional TTL logic. Their easy programmability allows for quick design of custom functions and typically results in a more compact circuit board. In addition, chip carriers are available for further reduction in board space.

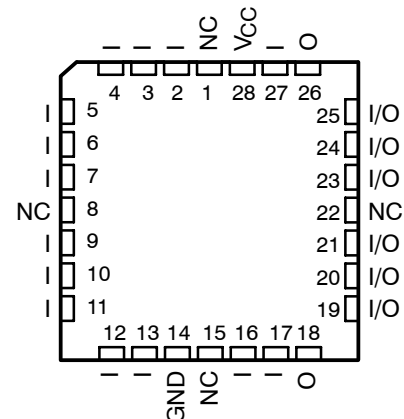
All of the register outputs are set to a low level during power-up. Extra circuitry has been provided to allow loading of each register asynchronously to either a high or low state. This feature simplifies testing because the registers can be set to an initial state prior to executing the test sequence.

The TIBPAL20<sup>1</sup> C series is characterized from 0°C to 75°C.

TIBPAL20L8'  
JT OR NT PACKAGE  
(TOP VIEW)



TIBPAL20L8'  
FN PACKAGE  
(TOP VIEW)



NC – No internal connection  
Pin assignments in operating mode

IMPACT is a trademark of Texas Instruments Incorporated.  
PAL is a registered trademark of Advanced Micro Devices Inc.

PRODUCTION DATA information is current as of publication date. Products conform to specifications per the terms of Texas Instruments standard warranty. Production processing does not necessarily include testing of all parameters.



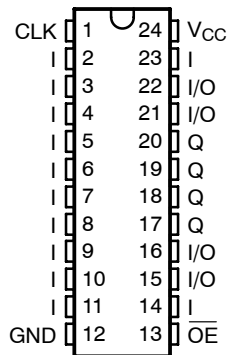
POST OFFICE BOX 655303 • DALLAS, TEXAS 75265

Copyright © 2010, Texas Instruments Incorporated

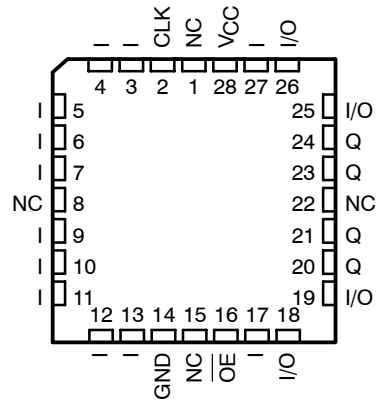
# TIBPAL20R4-25C, TIBPAL20R6-25C, TIBPAL20R8-25C LOW-POWER HIGH-PERFORMANCE *IMPACT*™ PAL® CIRCUITS

SRPS022A – D2920, MAY 1987 – REVISED DECEMBER 2010

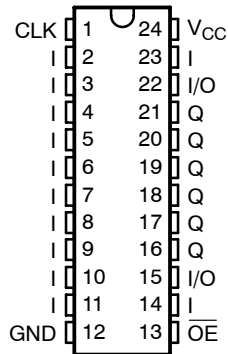
**TIBPAL20R4'**  
JT OR NT PACKAGE  
(TOP VIEW)



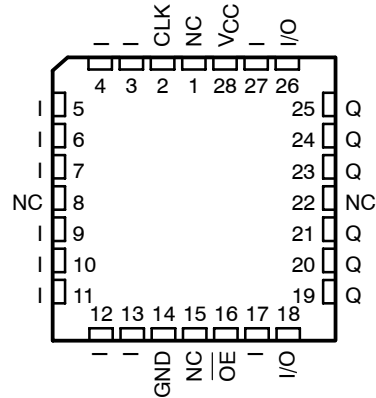
**TIBPAL20R4'**  
FN PACKAGE  
(TOP VIEW)



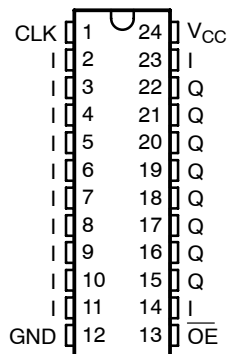
**TIBPAL20R6'**  
JT OR NT PACKAGE  
(TOP VIEW)



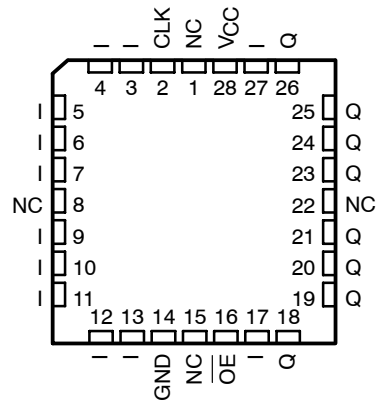
**TIBPAL20R6'**  
FN PACKAGE  
(TOP VIEW)



**TIBPAL20R8'**  
JT OR NT PACKAGE  
(TOP VIEW)



**TIBPAL20R8'**  
FN PACKAGE  
(TOP VIEW)



Pin assignments in operating mode

NC – No internal connection

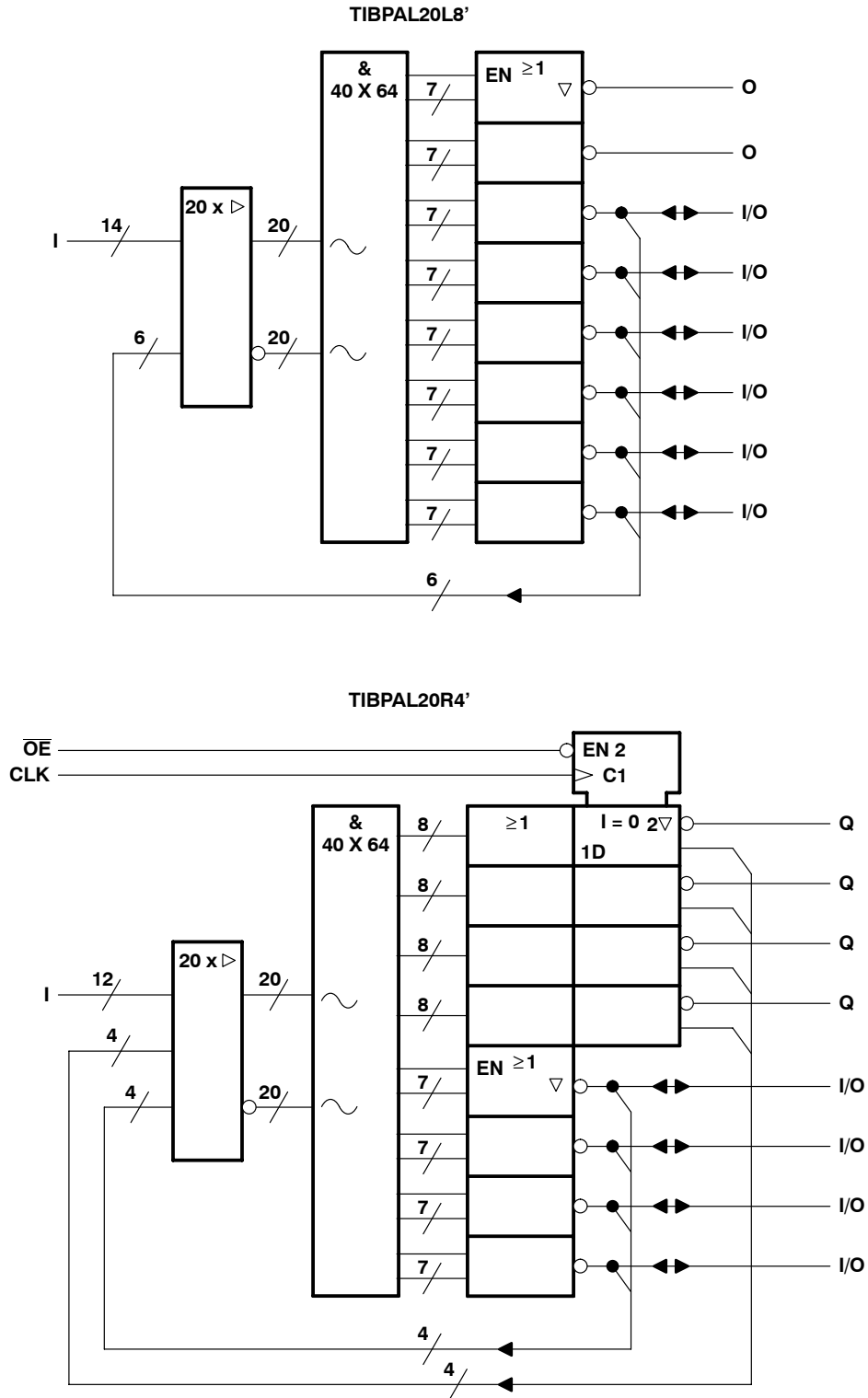


POST OFFICE BOX 655303 • DALLAS, TEXAS 75265

# TIBPAL20L8-25C, TIBPAL20R4-25C LOW-POWER HIGH-PERFORMANCE *IMPACT*™ PAL® CIRCUITS

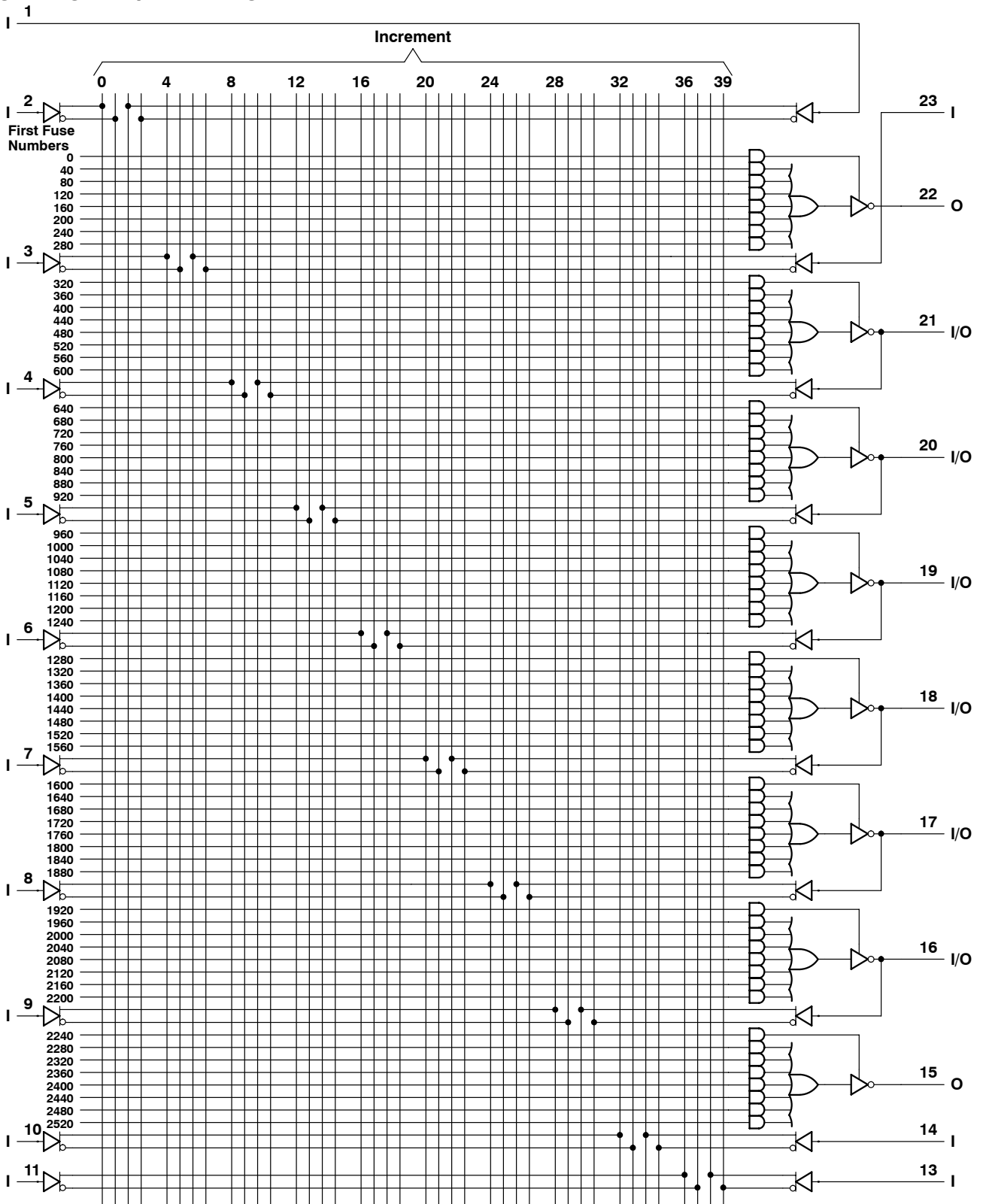
SRPS022A - D2920, MAY 1987 - REVISED DECEMBER 2010

## functional block diagrams (positive logic)





logic diagram (positive logic)



Fuse number = First fuse number + Increment  
 Pin numbers shown are for JT and NT packages.

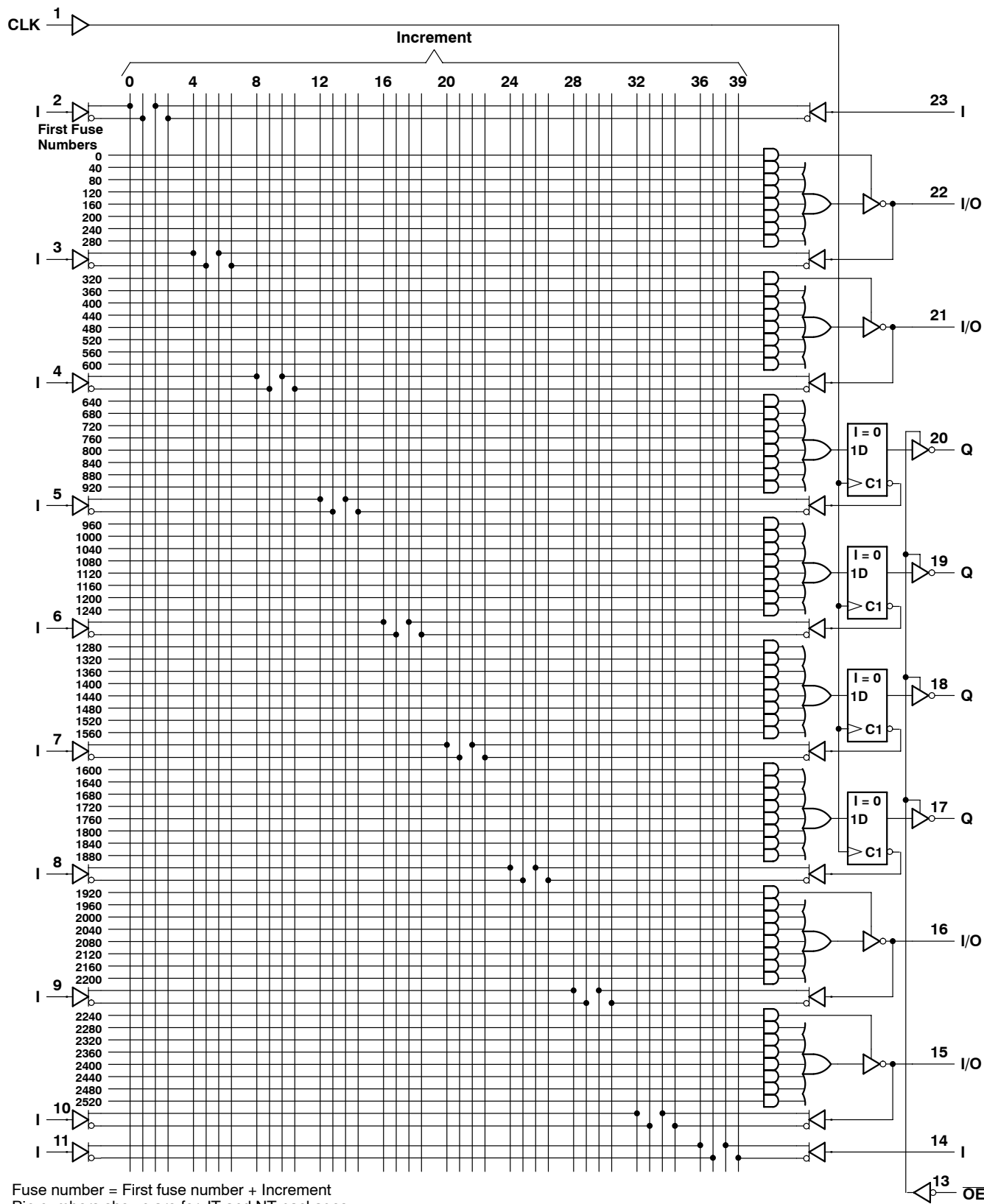


# TIBPAL20R4-25C

## LOW-POWER HIGH-PERFORMANCE *IMPACT*™ PAL® CIRCUITS

SRPS022A - D2920, MAY 1987 - REVISED DECEMBER 2010

### logic diagram (positive logic)

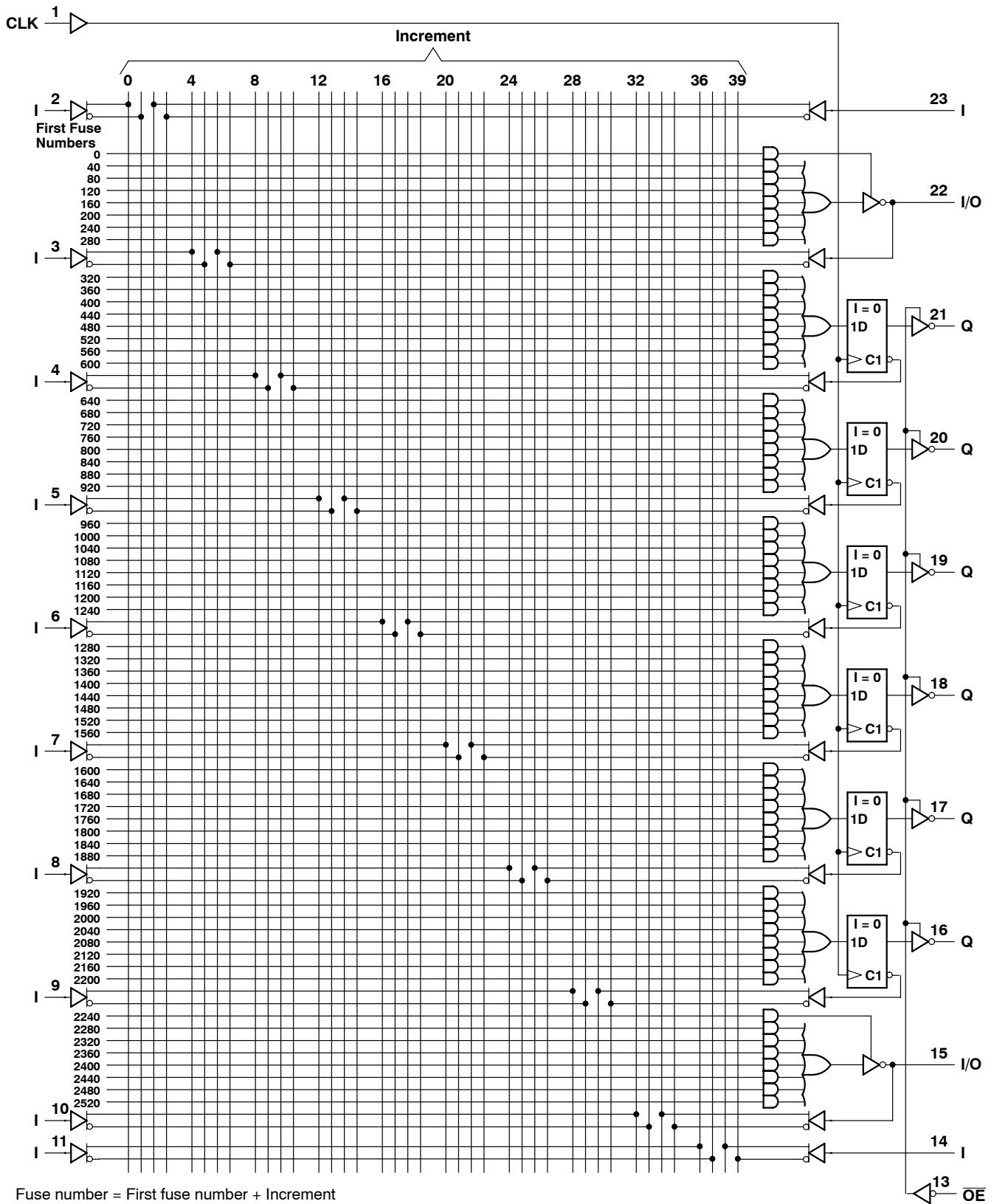


Fuse number = First fuse number + Increment  
Pin numbers shown are for JT and NT packages.



POST OFFICE BOX 655303 • DALLAS, TEXAS 75265

logic diagram (positive logic)



Fuse number = First fuse number + Increment  
 Pin numbers shown are for JT and NT packages.

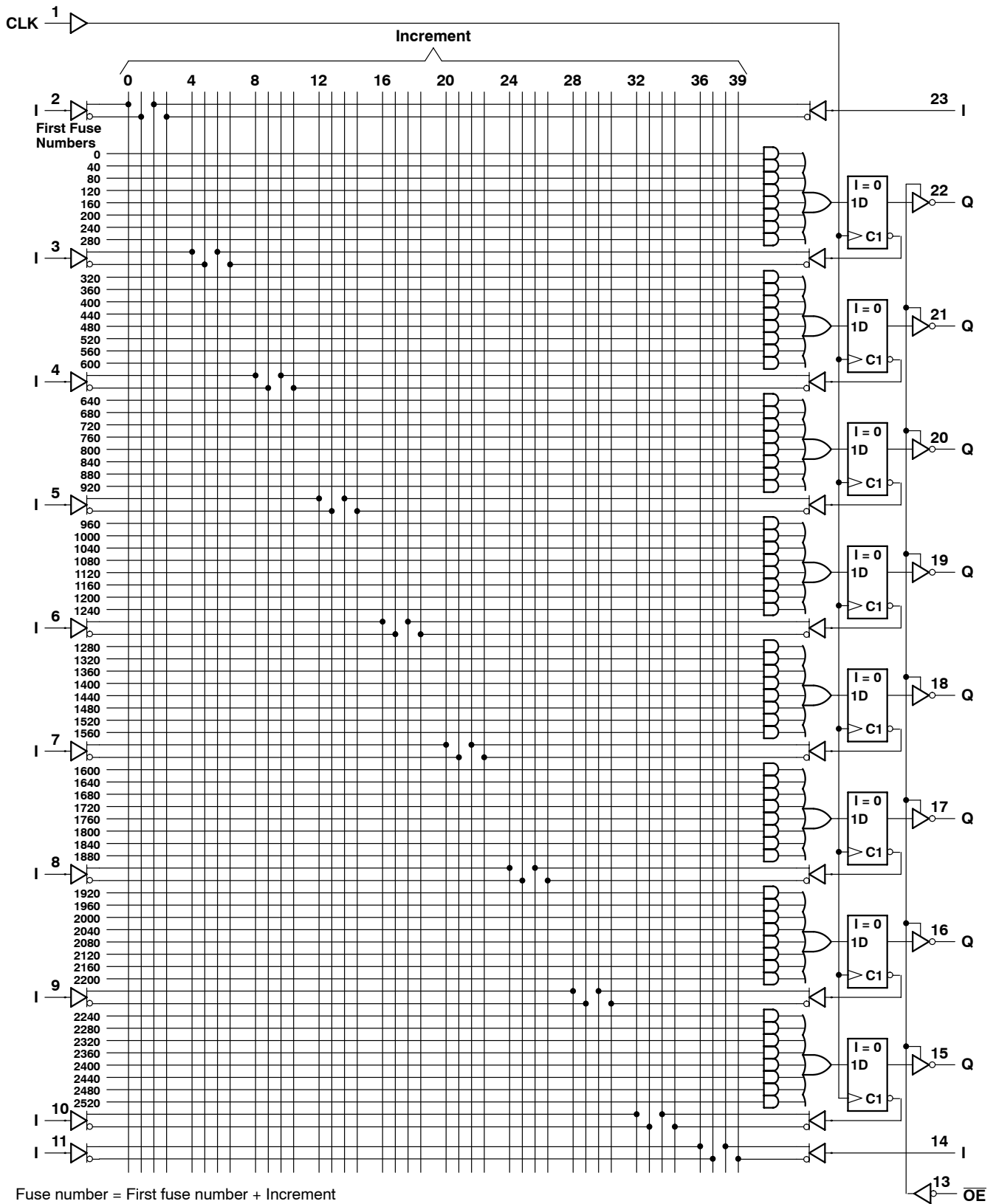


# TIBPAL20R8-25C

## LOW-POWER HIGH-PERFORMANCE *IMPACT*™ PAL® CIRCUITS

SRPS022A - D2920, MAY 1987 - REVISED DECEMBER 2010

### logic diagram (positive logic)



Fuse number = First fuse number + Increment  
Pin numbers shown are for JT and NT packages.



POST OFFICE BOX 655303 • DALLAS, TEXAS 75265

# TIBPAL20L8-25C, TIBPAL20R4-25C, TIBPAL20R6-25C, TIBPAL20R8-25C LOW-POWER HIGH-PERFORMANCE *IMPACT*™ *PAL*® CIRCUITS

SRPS022A – D2920, MAY 1987 – REVISED DECEMBER 2010

## absolute maximum ratings over operating free-air temperature range (unless otherwise noted)

Supply voltage, $V_{CC}$ (see Note 1) .....	7 V
Input voltage (see Note 1) .....	5.5 V
Voltage applied to disabled output (see Note 1) .....	5.5 V
Operating free-air temperature range .....	0°C to 75°C
Storage temperature range .....	–65°C to 150°C

NOTE 1: These ratings apply except for programming pins during a programming cycle.

## recommended operating conditions

		MIN	NOM	MAX	UNIT
$V_{CC}$	Supply voltage	4.75	5	5.25	V
$V_{IH}$	High-level input voltage	2		5.5	V
$V_{IL}$	Low-level input voltage			0.8	V
$I_{OH}$	High-level output current			–3.2	mA
$I_{OL}$	Low-level output current			24	mA
$f_{clock}^\dagger$	Clock frequency	0		33	MHz
$t_w^\dagger$	Pulse duration, clock	High		15	ns
		Low		15	
$t_{su}^\dagger$	Setup time, input or feedback before clock $\uparrow$	25			ns
$t_h^\dagger$	Hold time, input or feedback after clock $\uparrow$	0			ns
$T_A$	Operating free-air temperature	0	25	75	°C

$^\dagger f_{clock}$ ,  $t_w$ ,  $t_{su}$ , and  $t_h$  do not apply for TIBPAL20L8'.



# TIBPAL20L8-25C, TIBPAL20R4-25C, TIBPAL20R6-25C, TIBPAL20R8-25C LOW-POWER HIGH-PERFORMANCE *IMPACT*™ *PAL*® CIRCUITS

SRPS022A – D2920, MAY 1987 – REVISED DECEMBER 2010

## electrical characteristics over recommended operating free-air temperature range

PARAMETER		TEST CONDITIONS		MIN	TYP†	MAX	UNIT
V <sub>IK</sub>		V <sub>CC</sub> = 4.75 V,	I <sub>I</sub> = -18 mA		-0.8	-1.5	V
V <sub>OH</sub>		V <sub>CC</sub> = 4.75 V,	I <sub>OH</sub> = -3.2 mA	2.4	3.3		V
V <sub>OL</sub>		V <sub>CC</sub> = 4.75 V,	I <sub>OL</sub> = 24 mA		0.3	0.5	V
I <sub>OZH</sub>	O, Q outputs	V <sub>CC</sub> = 5.25 V,	V <sub>O</sub> = 2.7 V			20	μA
	I/O ports					100	
I <sub>OZL</sub>	O, Q outputs	V <sub>CC</sub> = 5.25 V,	V <sub>O</sub> = 0.4 V			-20	μA
	I/O ports					-250	
I <sub>I</sub>		V <sub>CC</sub> = 5.25 V,	V <sub>I</sub> = 5.5 V			0.1	mA
I <sub>IH</sub> ‡		V <sub>CC</sub> = 5.25 V,	V <sub>I</sub> = 2.7 V			20	μA
I <sub>IL</sub> ‡		V <sub>CC</sub> = 5.25 V,	V <sub>I</sub> = 0.4 V			-0.25	mA
I <sub>OS</sub> §		V <sub>CC</sub> = 5.25 V,	V <sub>O</sub> = 0	-30	-70	-130	mA
I <sub>CC</sub>		V <sub>CC</sub> = 5.25 V, Outputs open,	V <sub>I</sub> = 0, $\overline{OE}$ at V <sub>IH</sub>		75	105	mA

## switching characteristics over recommended ranges of supply voltage and operating free-air temperature (unless otherwise noted)

PARAMETER	FROM (INPUT)	TO (OUTPUT)	TEST CONDITION	MIN	TYP†	MAX	UNIT
f <sub>max</sub> ¶	With feedback		R1 = 200 Ω, R2 = 390 Ω, See Figure 3	25	40		MHz
	Without feedback			33	50		
t <sub>pd</sub>	I, I/O	O, I/O		3	14	25	ns
t <sub>pd</sub>	CLK↑	Q		2	10	15	ns
t <sub>en</sub>	$\overline{OE}$	Q		2	8	15	ns
t <sub>dis</sub>	$\overline{OE}$ ↑	Q		2	8	15	ns
t <sub>en</sub>	I, I/O	O, I/O		3	15	25	ns
t <sub>dis</sub>	I, I/O	O, I/O		3	15	25	ns

† All typical values are at V<sub>CC</sub> = 5 V, T<sub>A</sub> = 25°C.

‡ For I/O ports, the parameters I<sub>IH</sub> and I<sub>IL</sub> include the off-state output current.

§ Not more than one output should be shorted at a time, and the duration of the short-circuit should not exceed one second.

$$¶ f_{\max}(\text{with feedback}) = \frac{1}{t_{\text{su}} + t_{\text{pd}}(\text{CLK to Q})}, \quad f_{\max}(\text{without feedback}) = \frac{1}{t_{\text{w high}} + t_{\text{w low}}}$$

f<sub>max</sub> does not apply for TIBPAL20L8.



## programming information

Texas Instruments programmable logic devices can be programmed using widely available software and inexpensive device programmers.

Complete programming specifications, algorithms, and the latest information on hardware, software, and firmware are available upon request. Information on programmers capable of programming Texas Instruments programmable logic is also available, upon request, from the nearest TI field sales office, local authorized TI distributor, or by calling Texas Instruments at (214) 997-5666.

## preload procedure for registered outputs (see Figure 1 and Notes 2 and 3)

The output registers can be preloaded to any desired state during device testing. This permits any state to be tested without having to step through the entire state-machine sequence. Each register is preloaded individually by following the steps given below.

- Step 1. With  $V_{CC}$  at 5 volts and Pin 1 at  $V_{IL}$ , raise Pin 13 to  $V_{IHH}$ .
- Step 2. Apply either  $V_{IL}$  or  $V_{IH}$  to the output corresponding to the register to be preloaded.
- Step 3. Pulse Pin 1, clocking in preload data.
- Step 4. Remove output voltage, then lower Pin 13 to  $V_{IL}$ . Preload can be verified by observing the voltage level at the output pin.

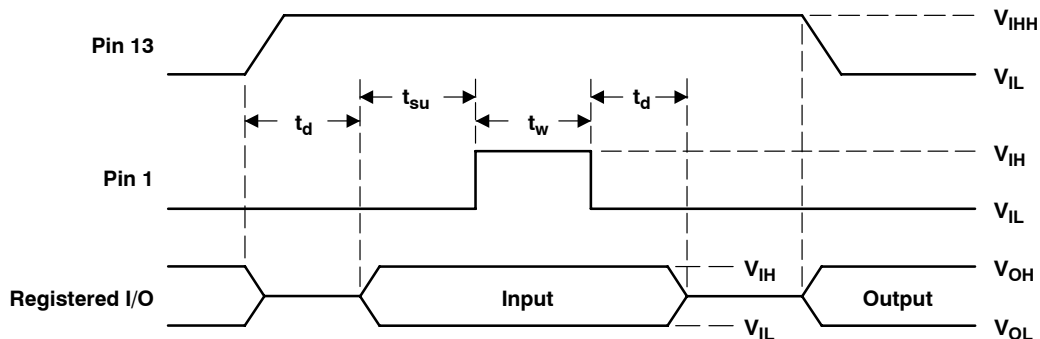


Figure 1. Preload Waveforms

NOTES: 2. Pin numbers shown are for JT and NT packages only. If chip carrier socket adapter is not used, pin numbers must be changed accordingly.

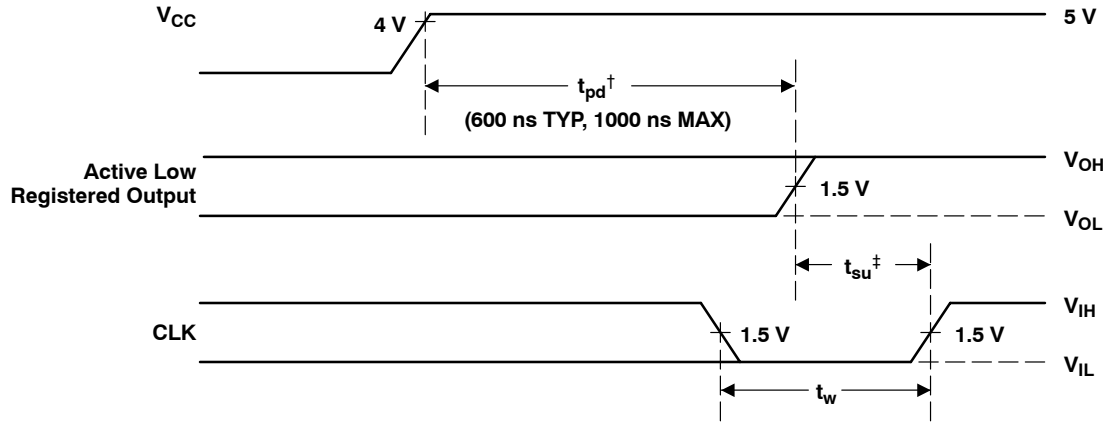
3.  $t_d = t_{su} = t_h = 100 \text{ ns to } 1000 \text{ ns}$   $V_{IHH} = 10.25 \text{ V to } 10.75 \text{ v}$

# TIBPAL20L8-25C, TIBPAL20R4-25C, TIBPAL20R6-25C, TIBPAL20R8-25C LOW-POWER HIGH-PERFORMANCE *IMPACT*™ *PAL*® CIRCUITS

SRPS022A – D2920, MAY 1987 – REVISED DECEMBER 2010

## power-up reset (see Figure 2)

Following power up, all registers are reset to zero. This feature provides extra flexibility to the system designer and is especially valuable in simplifying state-machine initialization. To ensure a valid power-up reset, it is important that the rise of  $V_{CC}$  be monotonic. Following power-up reset, a low-to-high clock transition must not occur until all applicable input and feedback setup times are met.

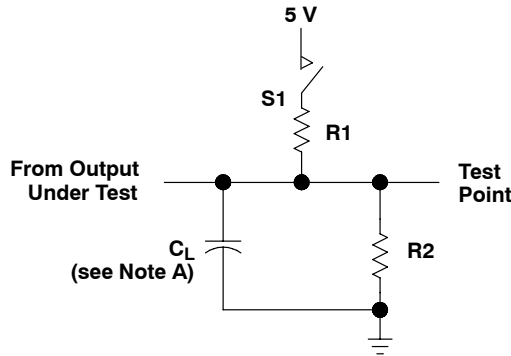


† This is the power-up reset time and applies to registered outputs only. The values shown are from characterization data.

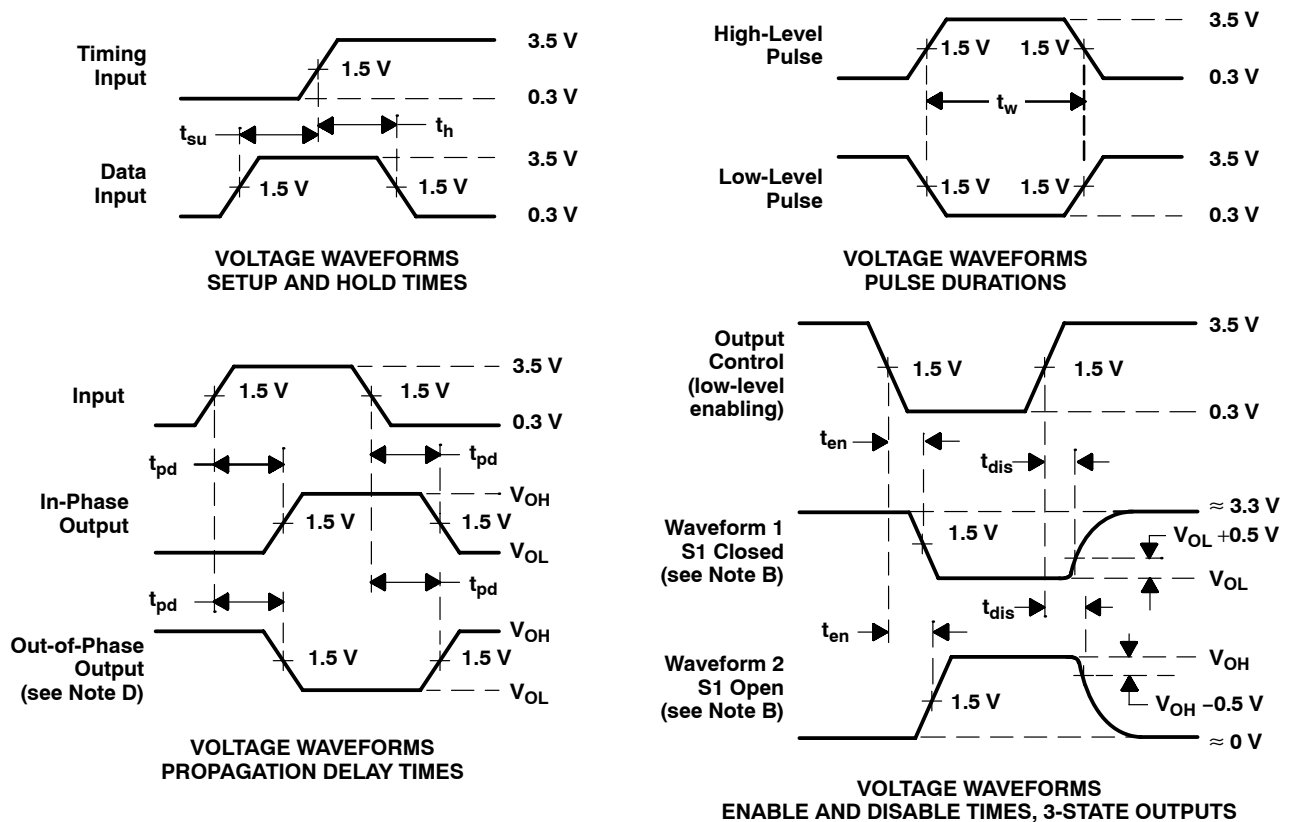
‡ This is the setup time for input or feedback.

**Figure 2. Power-Up Reset Waveforms**

PARAMETER MEASUREMENT INFORMATION



LOAD CIRCUIT FOR 3-STATE OUTPUTS



- NOTES: A.  $C_L$  includes probe and jig capacitance and is 50 pF for  $t_{pd}$  and  $t_{en}$ , 5 pF for  $t_{dis}$ .  
 B. Waveform 1 is for an output with internal conditions such that the output is low except when disabled by the output control. Waveform 2 is for an output with internal conditions such that the output is high except when disabled by the output control.  
 C. All input pulses have the following characteristics:  $PRR \leq 1$  MHz,  $t_r$  and  $t_f \leq 2$  ns, duty cycle = 50%.  
 D. When measuring propagation delay times of 3-state outputs, switch S1 is closed.  
 E. Equivalent loads may be used for testing.

Figure 3. Load Circuit and Voltage Waveforms



# TI Worldwide Sales Offices

**ALABAMA: Huntsville:** 4960 Corporate Drive, Suite 150, Huntsville, AL 35805, (205) 837-7530.

**ARIZONA: Phoenix:** 8825 N. 23rd Avenue, Suite 100, Phoenix, AZ 85021, (602) 995-1007.

**CALIFORNIA: Irvine:** 1920 Main Street, Suite 900, Irvine, CA 92714, (714) 860-1200;

**San Diego:** 5625 Ruffin Road, Suite 100, San Diego, CA 92123, (619) 278-9600;

**Santa Clara:** 5353 Betsy Ross Drive, Santa Clara, CA 95054, (408) 980-9000;

**Woodland Hills:** 21550 Oxnard Street, Suite 700, Woodland Hills, CA 91367, (818) 704-8100.

**COLORADO: Aurora:** 1400 S. Potomac Street, Suite 101, Aurora, CO 80012, (303) 368-8000.

**CONNECTICUT: Wallingford:** 9 Barnes Industrial Park So., Wallingford, CT 06492, (203) 269-0074.

**FLORIDA: Altamonte Springs:** 370 S. North Lake Boulevard, Suite 1008, Altamonte Springs, FL 32701, (407) 260-2116;

**Fort Lauderdale:** 2950 N.W. 62nd Street, Suite 100, Fort Lauderdale, FL 33309, (305) 973-8502; **Tampa:** 4803 George Road, Suite 390, Tampa, FL 33634-6234, (813) 885-7588.

**GEORGIA: Norcross:** 5515 Spalding Drive, Norcross, GA 30092-2560, (404) 662-7967.

**ILLINOIS: Arlington Heights:** 515 West Algonquin, Arlington Heights, IL 60005, (708) 640-6925.

**INDIANA: Carmel:** 550 Congressional Drive, Suite 100, Carmel, IN 46032, (317) 573-6400;

**Fort Wayne:** 103 Airport North Office Park, Fort Wayne, IN 46825, (219) 489-4697.

**KANSAS: Overland Park:** 7300 College Boulevard, Lighton Plaza, Suite 150, Overland Park, KS 66210, (913) 451-4511.

**MARYLAND: Columbia:** 8815 Centre Park Drive, Suite 100, Columbia, MD 21045, (410) 964-2003.

**MASSACHUSETTS: Waltham:** Bay Colony Corporate Center 950 Winter Street, Suite 2800, Waltham, MA 02154, (617) 895-9100.

**MICHIGAN: Farmington Hills:** 33737 W. 12 Mile Road, Farmington Hills, MI 48018, (313) 553-1581.

**MINNESOTA: Eden Prairie:** 11000 W. 78th Street, Suite 100, Eden Prairie, MN 55344, (612) 828-9300.

**MISSOURI: St. Louis:** 12412 Powerscourt Drive, Suite 125, St. Louis, MO 63131, (314) 821-8400.

**NEW JERSEY: Iselin:** Metropolitan Corporate Plaza, 485 Bldg E. U.S. 1 South, Iselin, NJ 08830, (908) 750-1050.

**NEW MEXICO: Albuquerque:** 2709 J. Pan American Freeway, N.E., Albuquerque, NM 87101, (505) 345-2555.

**NEW YORK: East Syracuse:** 6365 Collamer Drive, East Syracuse, NY 13057, (315) 463-9291;

**Fishkill:** 300 Westgate Business Center, Suite 140, Fishkill, NY 12524, (914) 897-2900;

**Melville:** 48 South Service Road, Suite 100, Melville, NY 11747, (516) 454-6601;

**Pittsford:** 2851 Clover Street, Pittsford, NY 14534, (716) 385-6770.

**NORTH CAROLINA: Charlotte:** 8 Woodlawn Green, Suite 100, Charlotte, NC 28217, (704) 527-0930;

**Raleigh:** 2809 Highwoods Boulevard, Suite 100, Raleigh, NC 27625, (919) 876-2725.

**OHIO: Beachwood:** 23775 Commerce Park Road, Beachwood, OH 44122-5875, (216) 765-7258;

**Beavercreek:** 4200 Colonel Glenn Highway, Suite 600, Beavercreek, OH 45431, (513) 427-6200.

**OREGON: Beaverton:** 6700 S.W. 105th Street, Suite 110, Beaverton, OR 97005, (503) 643-6758.

**PENNSYLVANIA: Blue Bell:** 670 Sentry Parkway, Suite 200, Blue Bell, PA 19422, (215) 825-9500.

**PUERTO RICO: Hato Rey:** 615 Mercantile Plaza Building, Suite 505, Hato Rey, PR 00919, (809) 753-8700.

**TEXAS: Austin:** 12501 Research Boulevard, Austin, TX 78759, (512) 250-6789;

**Dallas:** 7839 Churchill Way, Dallas, TX 75251, (214) 917-1264;

**Houston:** 9301 Southwest Freeway, Commerce Park, Suite 360, Houston, TX 77074, (713) 778-6592;

**Midland:** FM 1788 & I-20, Midland, TX 79711-0448, (915) 561-7137.

**UTAH: Salt Lake City:** 2180 South 1300 East, Suite 335, Salt Lake City, UT 54106, (801) 466-8972.

**WISCONSIN: Waukesha:** 20825 Swenson Drive, Suite 900, Waukesha WI 53186, (414) 798-1001.

**CANADA: Nepean:** 301 Moodie Drive, Suite 102, Mallom Center, Nepean, Ontario, Canada K2H 9C4, (613) 726-1970;

**Richmond Hill:** 280 Centre Street East, Richmond Hill, Ontario, Canada L4C 1B1, (416) 884-9181;

**St. Laurent:** 9460 Trans Canada Highway, St. Laurent, Quebec, Canada H4S 1R7, (514) 335-8392.

**AUSTRALIA (& NEW ZEALAND):** Texas Instruments Australia Ltd., 6-10 Talavera Road, North Ryde (Sydney), New South Wales, Australia 2113, 2-878-9000; 14th Floor, 380 Street, Kilda Road, Melbourne, Victoria, Australia 3004, 3-696-1211; 171 Philip Highway, Elizabeth, South Australia 5112, 8 255-2066.

**BELGIUM:** Texas Instruments Belgium S.A./N.V., Avenue Jules Bordetlaan 11, 1140 Brussels, Belgium, (02) 242 30 80.

**BRAZIL:** Texas Instruments Electronicos do Brasil Ltda., Av. Eng. Luiz Carlos Berrini 1461-110 andar, 04571, Sao Paulo, SP, Brazil, 11-535-5133.

**DENMARK:** Texas Instruments A/S, Borupvang 2D, 2750 Ballerup, Denmark, (44) 68 74 00.

**FINLAND:** Texas Instruments OY, Ahertajantie 3, P.O. Box 86, 02321 Espoo, Finland, (0) 802 6517.

**FRANCE:** Texas Instruments France, 8-10 Avenue Morane-Saulnier, B.P. 67, 78141 Velizy Villacoublay Cedex, France, (1) 30 70 1003.

**GERMANY:** Texas Instruments Deutschland GmbH., Haggertystrasse 1, 8050 Freising, (08161) 80-0; Kurturstendamm 195-196, 1000 Berlin 15, (030) 8 82 73 65; Dusseldorfer Strasse 40, 6236 Eschborn 1, (06196) 80 70; Kirchhorster Strasse 2, 3000 Hannover 51, (0511) 64 68-0; Maybachstrasse II, 7302 Ostfildern 2 (Nellingen), (0711) 3403257; Gildehofcenter, Hollestrasses 3, 4300 Essen 1, (0201) 24 25-0.

**HOLLAND:** Texas Instruments Holland B.V., Hogehilweg 19, Postbus 12995, 1100 AZ Amsterdam-Zuidoost, Holland, (020) 5602911.

**HONG KONG:** Texas Instruments Hong Kong Ltd., 8th Floor, World Shipping Center, 7 Canton Road, Kowloon, Hong Kong, 737-0338.

**HUNGARY:** Texas Instruments Representation, Budaorsi ut.42, 1112 Budapest, Hungary, (1) 1 66 66 17.

**IRELAND:** Texas Instruments Ireland Ltd., 7/8 Harcourt Street, Dublin 2, Ireland, (01) 7525233.

**ITALY:** Texas Instruments Italia S.p.A., Centro Direzionale Colleoni, Palazzo Perseo-Via Paracelso 12, 20041 Agrate Brianza (Mi), Italy, (039) 63221; Via Castello della Magliana, 38, 00148 Roma, Italy (06) 6572651; Via Amendola, 17, 40100 Bologna, Italy (051) 554004.

**JAPAN:** Texas Instruments Japan Ltd., Aoyama Fuji Building 3-6-12 Kita-Aoyama Minato-ku, Tokyo, Japan 107, 03-498-2111; MS Shibaura Building 9F, 4-13-23 Shibaura, Minato-ku, Tokyo, Japan 108, 03-769-8700; Nissho-iwai Building 5F, 2-5-8 Imabashi, Chuoh-ku, Osaka, Japan 541, 06-204-1881; Dai-ni Toyota Building Nishi-kan 7F, 4-10-27 Meieki, Nakamura-ku, Nagoya, Japan 450, 052-583-8691; Kanazawa Oyama-cho Daiichi Seimei Building 6F, 3-10 Oyama-cho, Kanazawa, Ishikawa, Japan 920, 0762-23-5471; Matsumoto Showa Building 6F, 1-2-11 Fukushima, Matsumoto, Nagano, Japan 390, 0263-33-1060; Daiichi Olympic Tachikawa Building 6F, 1-25-12, Akebono-cho, Tachikawa, Tokyo, Japan 190, 0425-27-6760; Yokohama Business Park East Tower 10F, 134 Goudo-cho Hodogaya-ku, Yokohama-shi, Kanagawa, Japan 240, 045-338-1220; Nihon Seimei Kyoto Yasaka Building 5F, 843-2, Higashi Shiokohji-cho, Higashi-iru, Nishinotoh-in, Shiokohji-dori, Shimogyo-ku, Kyoto, Japan 600, 075-341-7713; Sumitomo Seimei Kumagaya Building 8F, 2-44 Yavoi, Kumagaya, Saitama, Japan 360, 0485-22-2440; 2597-1, Aza Harudai, Oaza Yasaka, Kitsuki, Oita, Japan 873, 09786-3-3211.

**KOREA:** Texas Instruments Korea Ltd., 28th Floor, Trade Tower, 159, Samsung-Dong, Kangnam-ku Seoul, Korea, 2 551-2800.

**MALAYSIA:** Texas Instruments Malaysia, Sdn. Bhd., Asia Pacific, Lot 36.1 #Box 93, Menara Maybank, 100 Jalan Tun Perak, 50050 Kuala Lumpur, Malaysia, 2306001.

**MEXICO:** Texas Instruments de Mexico S.A., de C.V., Alfonso Reyes 115, Col. Hipodromo Condessa, Mexico, D.F., Mexico 06170, 5-515-6081.

**NORWAY:** Texas Instruments Norge A/S, P.B. 106, Refstad (Sinsveien 53), 0513 Oslo 5, Norway, (02) 155 090.

**PEOPLE'S REPUBLIC OF CHINA:** Texas Instruments China Inc., Beijing Representative Office, 7-05 CITIC Building, 19 Jianguomenwai Dajie, Beijing, China, 500-2255, Ext. 3750.

**PHILIPPINES:** Texas Instruments Asia Ltd., Philippines Branch, 14th Floor, Ba-Lepanto Building, Paseo de Roxas, Makati, Metro Manila, Philippines, 2-8176031.

**PORTUGAL:** Texas Instruments Equipamento Electronico (Portugal) Ltda., Ing. Frederico Ulricho, 2650 Moreira Da Maia, 4470 Maia, Portugal (2) 948 1003.

**SINGAPORE (& INDIA, INDONESIA, MALAYSIA, THAILAND):** Texas Instruments Singapore (PTE) Ltd., Asia Pacific, 101 Thomson Road, #23-01, United Square, Singapore 1130, 3508100.

**SPAIN:** Texas Instruments Espana S.A., c/Gobelos 43, Urbanizacion, La Florida, 28023, Madrid, Spain, (1) 372 8051; c/Diputacion, 279-3-5, 08007 Barcelona, Spain, (3) 317 91 80.

**SWEDEN:** Texas Instruments International Trade Corporation (Sverigefilialen), Isafordsgatan, Box 30, S-166 93 Kista, Sweden, (08) 752 58 00.

**SWITZERLAND:** Texas Instruments Switzerland AG, Riedstrasse 6, C8953 Dietikon, Switzerland, (01) 744 2811.

**TAIWAN:** Texas Instruments Taiwan Limited, Taipei Branch, 10th Floor Bank Tower, 205 Tung Hwa N. Road, Taipei, Taiwan, 10592 Republic of China, 2-7139311.

**TURKEY:** Texas Instruments, DSEG MidEast Regional Marketing Office, Karum Center, Suite 442, Iran Caddesi 21, 06680 Kavaklidere, Ankara, Turkey, 4-468-0155.

**UNITED KINGDOM:** Texas Instruments Ltd., Manton Lane, Bedford, England, MK41 7PA, (0234) 270 111.

## TI Authorized North American Distributors

Alliance Electronics, Inc. (military product only)

Almac/Arrow

Anthem Electronics

Arrow/Schweber

Future Electronics (Canada)

GRS Electronics Co., Inc. \*

Hall-Mark Electronics

Marshall Industries

Newark Electronics \*

Wyle Laboratories

Zeus Components

Rochester Electronics, Inc. (obsolete product only)

\*Not authorized for TI military products



B0892

# TI North American Sales Offices

**ALABAMA:** Huntsville: (205) 837-7530  
**ARIZONA:** Phoenix: (602) 995-1007  
**CALIFORNIA:** Irvine: (714) 660-1200  
San Diego: (619) 278-9600  
Santa Clara: (408) 980-9000  
Woodland Hills: (818) 704-8100  
**COLORADO:** Aurora: (303) 368-8000  
**CONNECTICUT:** Wallingford: (203) 269-0074  
**FLORIDA:** Altamonte Springs: (407) 260-2116  
Fort Lauderdale: (305) 973-8502  
Tampa: (813) 885-7588  
**GEORGIA:** Norcross: (404) 662-7967  
**ILLINOIS:** Arlington Heights: (708) 640-3000  
**INDIANA:** Carmel: (317) 573-6400  
Fort Wayne: (219) 489-4697  
**KANSAS:** Overland Park: (913) 451-4511  
**MARYLAND:** Columbia: (410) 964-2003  
**MASSACHUSETTS:** Waltham: (617) 895-9100  
**MICHIGAN:** Farmington Hills: (313) 553-1581  
**MINNESOTA:** Eden Prairie: (612) 828-9300  
**MISSOURI:** St. Louis: (314) 821-8400  
**NEW JERSEY:** Iselin: (908) 750-1050  
**NEW MEXICO:** Albuquerque: (505) 345-2555  
**NEW YORK:** East Syracuse: (315) 463-9291  
Fishkill: (914) 897-2900  
Melville: (516) 454-6600  
Pittsford: (716) 385-6770  
**NORTH CAROLINA:** Charlotte: (704) 527-0930  
Raleigh: (919) 876-2725  
**OHIO:** Beachwood: (216) 765-7258  
Beavercreek: (513) 427-6200  
**OREGON:** Beaverton: (503) 643-6758  
**PENNSYLVANIA:** Blue Bell: (215) 825-9500  
**PUERTO RICO:** Hato Rey: (809) 753-8700  
**TEXAS:** Austin: (512) 250-6769  
Dallas: (214) 917-1264  
Houston: (713) 778-6592  
Midland: (915) 561-7137  
**UTAH:** Salt Lake City: (801) 466-8972  
**WISCONSIN:** Waukesha: (414) 798-1001  
**CANADA:** Nepean: (613) 726-1970  
Richmond Hill: (416) 884-9181  
St. Laurent: (514) 335-8392

# TI Regional Technology Centers

**CALIFORNIA:** Irvine: (714) 660-8140  
Santa Clara: (408) 748-2222  
**GEORGIA:** Norcross: (404) 662-7945  
**ILLINOIS:** Arlington Heights: (708) 640-2909  
**INDIANA:** Indianapolis: (317) 573-6400  
**MASSACHUSETTS:** Waltham: (617) 895-9196  
**MEXICO:** Mexico City: 491-70834  
**MINNESOTA:** Minneapolis: (612) 828-9300  
**TEXAS:** Dallas: (214) 917-3881  
**CANADA:** Nepean: (613) 726-1970

## Customer Response Center

**TOLL FREE:** (800) 336-5236  
**OUTSIDE USA:** (214) 995-6611  
(8:00 a.m. – 5:00 p.m. CST)

# TI Authorized North American Distributors

Alliance Electronics, Inc. (military product only)  
Almac/Arrow  
Anthem Electronics  
Arrow/Schweber  
Future Electronics (Canada)  
GRS Electronics Co., Inc.  
Hall-Mark Electronics  
Marshall Industries  
Newark Electronics  
Rochester Electronics, Inc.  
(obsolete product only) (508) 462-9332  
Wyle Laboratories  
Zeus Components

# TI Distributors

**ALABAMA:** Arrow/Schweber (205) 837-6955; Hall-Mark (205) 837-8700; Marshall (205) 881-9235.  
**ARIZONA:** Anthem (602) 966-6600; Arrow/Schweber (602) 437-0750; Hall-Mark (602) 431-0030; Marshall (602) 496-0290; Wyle (602) 437-2088.  
**CALIFORNIA: Los Angeles/Orange County:** Anthem (818) 775-1333, (714) 768-4444; Arrow/Schweber (818) 380-9686, (714) 838-5422; Hall-Mark (818) 773-4500, (714) 727-6000; Marshall (818) 878-7000, (714) 458-5301; Wyle (818) 880-9000, (714) 863-9953; Zeus (714) 921-9000, (818) 889-3838;  
**Sacramento:** Anthem (916) 624-9744; Hall-Mark (916) 624-9781; Marshall (916) 635-9700; Wyle (916) 638-5282;  
**San Diego:** Anthem (619) 453-9005; Arrow/Schweber (619) 565-4800; Hall-Mark (619) 268-1201; Marshall (619) 578-9600; Wyle (619) 565-9171; Zeus (619) 277-9681.  
**San Francisco Bay Area:** Anthem (408) 453-1200; Arrow/Schweber (408) 441-9700, (510) 430-9477; Hall-Mark (408) 432-4000; Marshall (408) 942-4600; Wyle (408) 727-2500; Zeus (408) 629-4789.  
**COLORADO:** Anthem (303) 790-4500; Arrow/Schweber (303) 799-0258; Hall-Mark (303) 790-1662; Marshall (303) 451-8383; Wyle (303) 457-9953.  
**CONNECTICUT:** Anthem (203) 575-1575; Arrow/Schweber (203) 265-7741; Hall-Mark (203) 271-2844; Marshall (203) 265-3822.  
**FLORIDA: Fort Lauderdale:** Arrow/Schweber (305) 429-8200; Hall-Mark (305) 971-9280; Marshall (305) 977-4880.  
**Orlando:** Arrow/Schweber (407) 333-9300; Hall-Mark (407) 830-5855; Marshall (407) 767-8585; Zeus (407) 788-9100.  
**Tampa:** Hall-Mark (813) 541-7440; Marshall (813) 573-1399.  
**GEORGIA:** Arrow/Schweber (404) 497-1300; Hall-Mark (404) 623-4400; Marshall (404) 923-5750.  
**ILLINOIS:** Anthem (708) 884-0200; Arrow/Schweber (708) 250-0500; Hall-Mark (312) 860-3800; Marshall (708) 490-0155; Newark (312) 784-5100.  
**INDIANA:** Arrow/Schweber (317) 299-2071; Hall-Mark (317) 872-8875; Marshall (317) 297-0483.  
**IOWA:** Arrow/Schweber (319) 395-7230.  
**KANSAS:** Arrow/Schweber (913) 541-9542; Hall-Mark (913) 888-4747; Marshall (913) 492-3121.  
**MARYLAND:** Anthem (301) 995-6640; Arrow/Schweber (301) 596-7800; Hall-Mark (301) 988-9800; Marshall (301) 622-1118; Zeus (301) 997-1118.  
**MASSACHUSETTS:** Anthem (508) 657-5170; Arrow/Schweber (508) 658-0900; Hall-Mark (508) 667-0902; Marshall (508) 658-0810; Wyle (617) 272-7300; Zeus (617) 246-8200.

**MICHIGAN: Detroit:** Arrow/Schweber (313) 462-2290; Hall-Mark (313) 416-5800; Marshall (313) 525-5850; Newark (313) 967-0600.  
**MINNESOTA:** Anthem (612) 944-5454; Arrow/Schweber (612) 941-5280; Hall-Mark (612) 881-2600; Marshall (612) 559-2211.  
**MISSOURI:** Arrow/Schweber (314) 567-6888; Hall-Mark (314) 291-5350; Marshall (314) 291-4650.  
**NEW JERSEY:** Anthem (201) 227-7960; Arrow/Schweber (201) 227-7880, (609) 596-8000; Hall-Mark (201) 515-3000, (609) 235-1900; Marshall (201) 882-0320, (609) 234-9100.  
**NEW MEXICO:** Alliance (505) 292-3360.  
**NEW YORK: Long Island:** Anthem (516) 864-6600; Arrow/Schweber (516) 231-1000; Hall-Mark (516) 737-0600; Marshall (516) 273-2424; Zeus (914) 937-7400.  
**Rochester:** Arrow/Schweber (716) 427-0300; Hall-Mark (716) 425-3300; Marshall (716) 235-7620.  
**Syracuse:** Marshall (607) 785-2345.  
**NORTH CAROLINA:** Arrow/Schweber (919) 876-3132; Hall-Mark (919) 872-0712; Marshall (919) 878-9882.  
**OHIO: Cleveland:** Arrow/Schweber (216) 248-3990; Hall-Mark (216) 349-4632; Marshall (216) 248-1788.  
**Columbus:** Hall-Mark (614) 888-3313.  
**Dayton:** Arrow/Schweber (513) 435-5563; Marshall (513) 898-4480; Zeus (513) 293-6162.  
**OKLAHOMA:** Arrow/Schweber (918) 252-7537; Hall-Mark (918) 254-6110.  
**OREGON:** Almac/Arrow (503) 629-8090; Anthem (503) 643-1114; Marshall (503) 644-5050; Wyle (503) 643-7900.  
**PENNSYLVANIA:** Anthem (215) 443-5150; Arrow/Schweber (215) 928-1800; GRS (215) 922-7037; (609) 964-8560; Marshall (412) 788-0441.  
**TEXAS: Austin:** Arrow/Schweber (512) 835-4180; Hall-Mark (512) 258-8848; Marshall (512) 837-1991; Wyle (512) 345-8853;  
**Dallas:** Anthem (214) 238-7100; Arrow/Schweber (214) 380-6464; Hall-Mark (214) 553-4300; Marshall (214) 233-5200; Wyle (214) 235-9953; Zeus (214) 783-7010;  
**Houston:** Arrow/Schweber (713) 530-4700; Hall-Mark (713) 781-6100; Marshall (713) 467-1666; Wyle (713) 879-9953.  
**UTAH:** Anthem (801) 973-8555; Arrow/Schweber (801) 973-6913; Marshall (801) 973-2288; Wyle (801) 974-9953.  
**WASHINGTON:** Almac/Arrow (206) 643-9992; Anthem (206) 483-1700; Marshall (206) 486-5747; Wyle (206) 881-1150.  
**WISCONSIN:** Arrow/Schweber (414) 792-0150; Hall-Mark (414) 797-7844; Marshall (414) 797-8400.  
**CANADA: Calgary:** Future (403) 235-5325;  
**Edmonton:** Future (403) 438-2858;  
**Montreal:** Arrow/Schweber (514) 421-7411; Future (514) 694-7710; Marshall (514) 694-8142  
**Ottawa:** Arrow/Schweber (613) 226-6903; Future (613) 820-8313.  
**Quebec:** Future (418) 897-6666.  
**Toronto:** Arrow/Schweber (416) 670-7769; Future (416) 612-9200; Marshall (416) 458-8046.  
**Vancouver:** Arrow/Schweber (604) 421-2333; Future (604) 294-1166.

## TI Die Processors

Chip Supply (407) 298-7100  
Elmo Semiconductor (818) 768-7400  
Minco Technology Labs (512) 834-2022



D0892

**PACKAGING INFORMATION**

Orderable Device	Status (1)	Package Type	Package Drawing	Pins	Package Qty	Eco Plan (2)	Lead/Ball Finish (6)	MSL Peak Temp (3)	Op Temp (°C)	Device Marking (4/5)	Samples
TIBPAL20L8-25CFN	ACTIVE	PLCC	FN	28	37	TBD	CU SN	Level-1-220C-UNLIM	0 to 75	20L8-25CFN	<a href="#">Samples</a>
TIBPAL20L8-25CJT	OBSOLETE	CDIP	JT	24		TBD	Call TI	Call TI			
TIBPAL20L8-25CNT	ACTIVE	PDIP	NT	24	15	Pb-Free (RoHS)	CU NIPDAU	N / A for Pkg Type	0 to 75	TIBPAL20L8-25C NT	<a href="#">Samples</a>
TIBPAL20R4-25CFN	ACTIVE	PLCC	FN	28	37	TBD	CU SN	Level-1-220C-UNLIM	0 to 75	20R4-25CFN	<a href="#">Samples</a>
TIBPAL20R4-25CNT	ACTIVE	PDIP	NT	24	15	Pb-Free (RoHS)	CU NIPDAU	N / A for Pkg Type	0 to 75	TIBPAL20R4-25C NT	<a href="#">Samples</a>
TIBPAL20R6-25CNT	ACTIVE	PDIP	NT	24	15	Pb-Free (RoHS)	CU NIPDAU	N / A for Pkg Type	0 to 75	TIBPAL20R6-25C NT	<a href="#">Samples</a>
TIBPAL20R8-25CFN	ACTIVE	PLCC	FN	28	37	TBD	CU SN	Level-1-220C-UNLIM	0 to 75	20R8-25CFN	<a href="#">Samples</a>
TIBPAL20R8-25CNT	ACTIVE	PDIP	NT	24	15	Pb-Free (RoHS)	CU NIPDAU	N / A for Pkg Type	0 to 75	TIBPAL20R8-25C NT	<a href="#">Samples</a>

(1) The marketing status values are defined as follows:

**ACTIVE:** Product device recommended for new designs.

**LIFEBUY:** TI has announced that the device will be discontinued, and a lifetime-buy period is in effect.

**NRND:** Not recommended for new designs. Device is in production to support existing customers, but TI does not recommend using this part in a new design.

**PREVIEW:** Device has been announced but is not in production. Samples may or may not be available.

**OBSOLETE:** TI has discontinued the production of the device.

(2) Eco Plan - The planned eco-friendly classification: Pb-Free (RoHS), Pb-Free (RoHS Exempt), or Green (RoHS & no Sb/Br) - please check <http://www.ti.com/productcontent> for the latest availability information and additional product content details.

**TBD:** The Pb-Free/Green conversion plan has not been defined.

**Pb-Free (RoHS):** TI's terms "Lead-Free" or "Pb-Free" mean semiconductor products that are compatible with the current RoHS requirements for all 6 substances, including the requirement that lead not exceed 0.1% by weight in homogeneous materials. Where designed to be soldered at high temperatures, TI Pb-Free products are suitable for use in specified lead-free processes.

**Pb-Free (RoHS Exempt):** This component has a RoHS exemption for either 1) lead-based flip-chip solder bumps used between the die and package, or 2) lead-based die adhesive used between the die and leadframe. The component is otherwise considered Pb-Free (RoHS compatible) as defined above.

**Green (RoHS & no Sb/Br):** TI defines "Green" to mean Pb-Free (RoHS compatible), and free of Bromine (Br) and Antimony (Sb) based flame retardants (Br or Sb do not exceed 0.1% by weight in homogeneous material)

(3) MSL, Peak Temp. - The Moisture Sensitivity Level rating according to the JEDEC industry standard classifications, and peak solder temperature.

(4) There may be additional marking, which relates to the logo, the lot trace code information, or the environmental category on the device.

<sup>(5)</sup> Multiple Device Markings will be inside parentheses. Only one Device Marking contained in parentheses and separated by a "-" will appear on a device. If a line is indented then it is a continuation of the previous line and the two combined represent the entire Device Marking for that device.

<sup>(6)</sup> Lead/Ball Finish - Orderable Devices may have multiple material finish options. Finish options are separated by a vertical ruled line. Lead/Ball Finish values may wrap to two lines if the finish value exceeds the maximum column width.

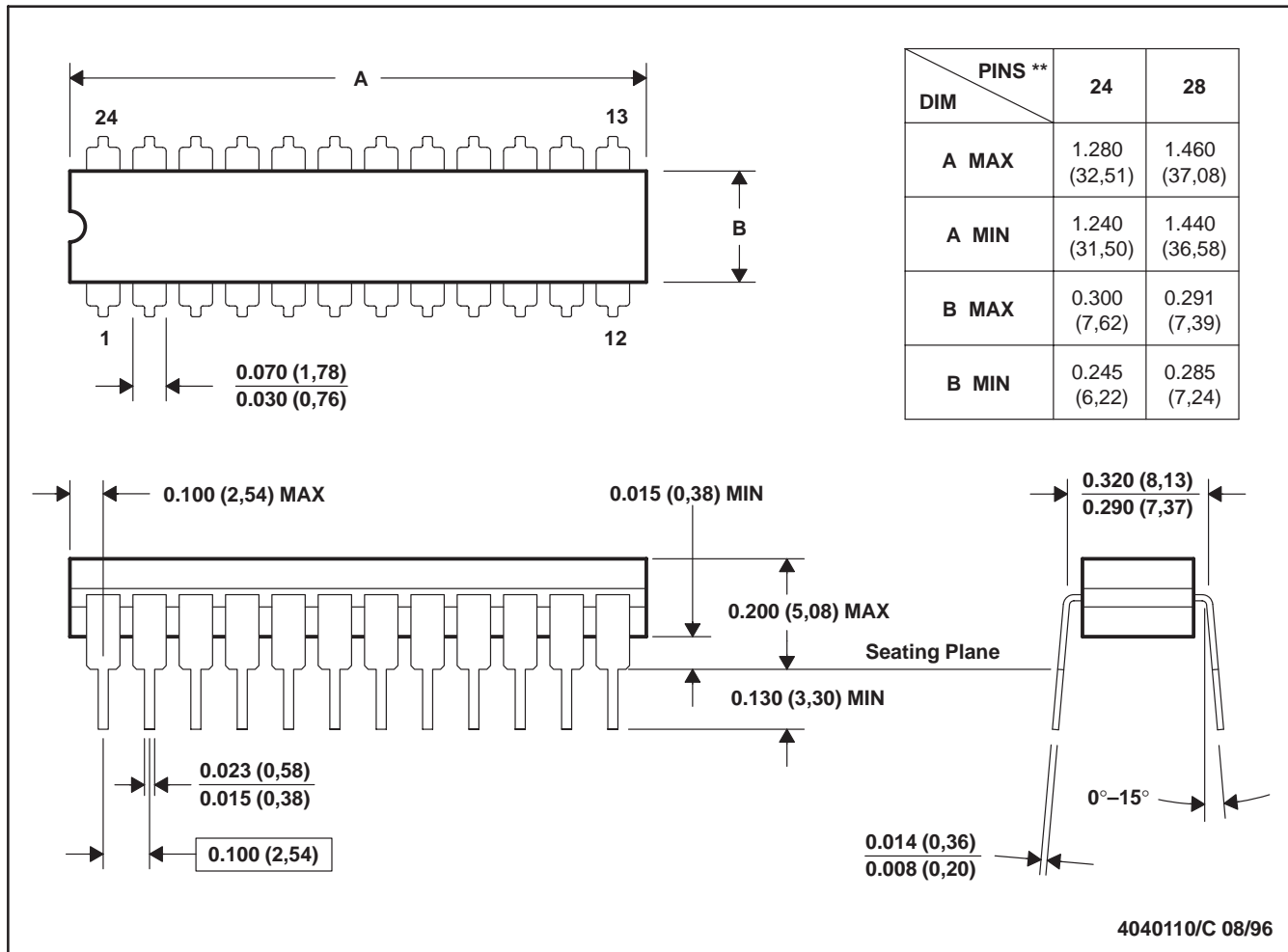
**Important Information and Disclaimer:**The information provided on this page represents TI's knowledge and belief as of the date that it is provided. TI bases its knowledge and belief on information provided by third parties, and makes no representation or warranty as to the accuracy of such information. Efforts are underway to better integrate information from third parties. TI has taken and continues to take reasonable steps to provide representative and accurate information but may not have conducted destructive testing or chemical analysis on incoming materials and chemicals. TI and TI suppliers consider certain information to be proprietary, and thus CAS numbers and other limited information may not be available for release.

In no event shall TI's liability arising out of such information exceed the total purchase price of the TI part(s) at issue in this document sold by TI to Customer on an annual basis.

JT (R-GDIP-T\*\*)

CERAMIC DUAL-IN-LINE

24 LEADS SHOWN

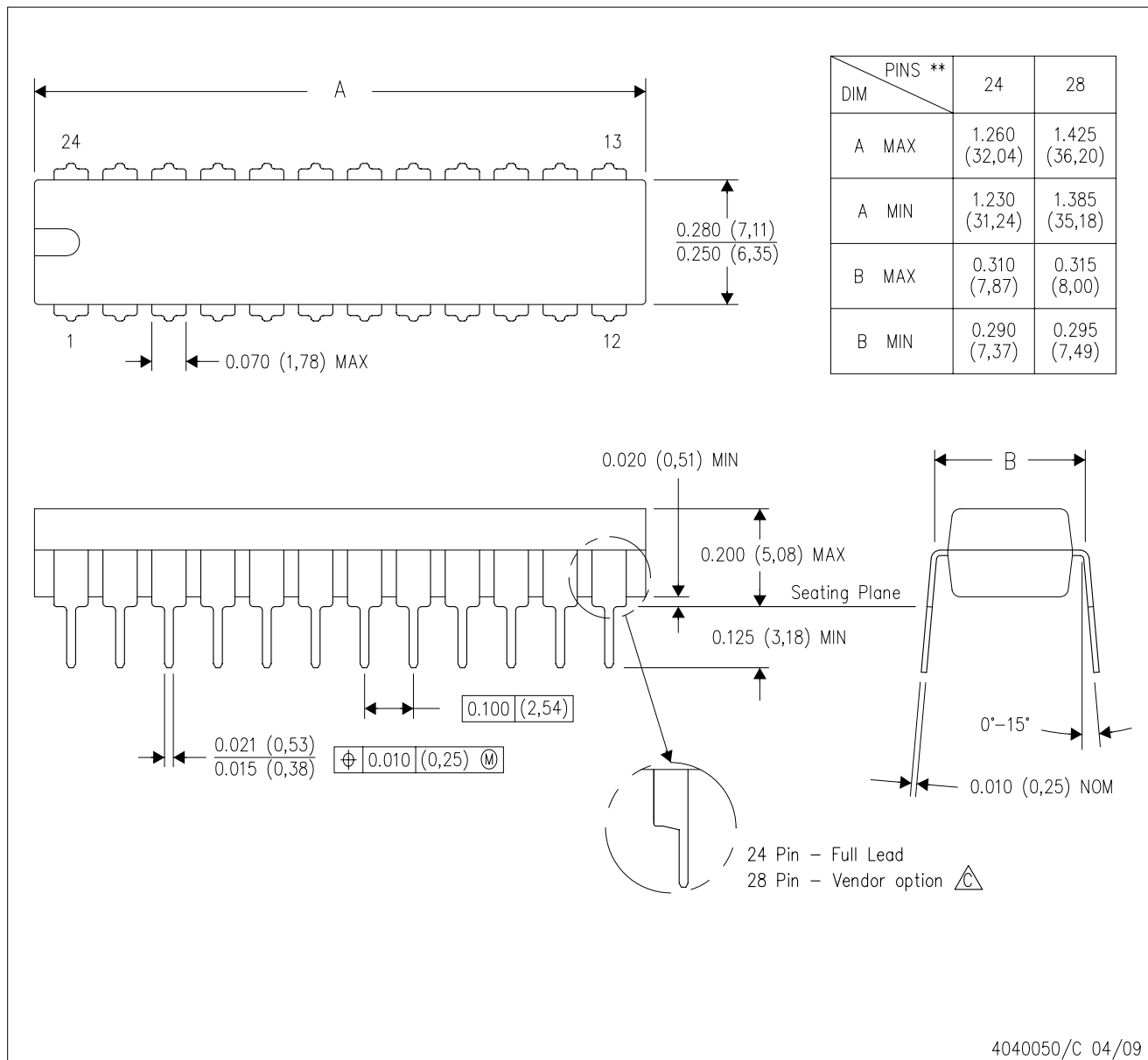


- NOTES: A. All linear dimensions are in inches (millimeters).  
 B. This drawing is subject to change without notice.  
 C. This package can be hermetically sealed with a ceramic lid using glass frit.  
 D. Index point is provided on cap for terminal identification.  
 E. Falls within MIL STD 1835 GDIP3-T24, GDIP4-T28, and JEDEC MO-058 AA, MO-058 AB


# MECHANICAL DATA

NT (R-PDIP-T\*\*) 24 PINS SHOWN

PLASTIC DUAL-IN-LINE PACKAGE



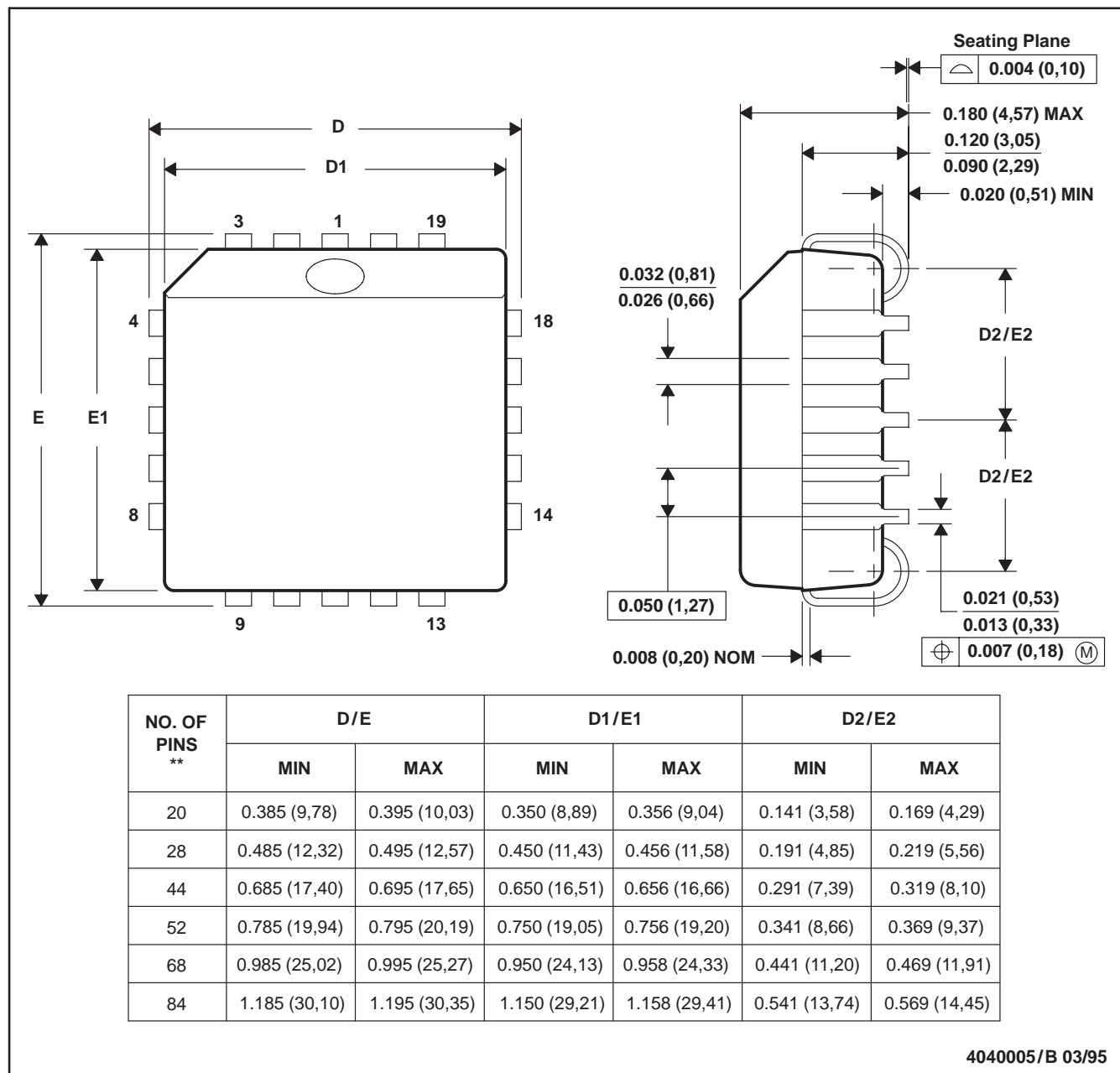
4040050/C 04/09

- NOTES:
- A. All linear dimensions are in millimeters. Dimensioning and tolerancing per ASME Y14.5M-1994.
  - B. This drawing is subject to change without notice.
  -  The 28 pin end lead shoulder width is a vendor option, either half or full width.

FN (S-PQCC-J\*\*)

PLASTIC J-LEADED CHIP CARRIER

20 PIN SHOWN



- NOTES: A. All linear dimensions are in inches (millimeters).  
 B. This drawing is subject to change without notice.  
 C. Falls within JEDEC MS-018

## IMPORTANT NOTICE

Texas Instruments Incorporated and its subsidiaries (TI) reserve the right to make corrections, enhancements, improvements and other changes to its semiconductor products and services per JESD46, latest issue, and to discontinue any product or service per JESD48, latest issue. Buyers should obtain the latest relevant information before placing orders and should verify that such information is current and complete. All semiconductor products (also referred to herein as "components") are sold subject to TI's terms and conditions of sale supplied at the time of order acknowledgment.

TI warrants performance of its components to the specifications applicable at the time of sale, in accordance with the warranty in TI's terms and conditions of sale of semiconductor products. Testing and other quality control techniques are used to the extent TI deems necessary to support this warranty. Except where mandated by applicable law, testing of all parameters of each component is not necessarily performed.

TI assumes no liability for applications assistance or the design of Buyers' products. Buyers are responsible for their products and applications using TI components. To minimize the risks associated with Buyers' products and applications, Buyers should provide adequate design and operating safeguards.

TI does not warrant or represent that any license, either express or implied, is granted under any patent right, copyright, mask work right, or other intellectual property right relating to any combination, machine, or process in which TI components or services are used. Information published by TI regarding third-party products or services does not constitute a license to use such products or services or a warranty or endorsement thereof. Use of such information may require a license from a third party under the patents or other intellectual property of the third party, or a license from TI under the patents or other intellectual property of TI.

Reproduction of significant portions of TI information in TI data books or data sheets is permissible only if reproduction is without alteration and is accompanied by all associated warranties, conditions, limitations, and notices. TI is not responsible or liable for such altered documentation. Information of third parties may be subject to additional restrictions.

Resale of TI components or services with statements different from or beyond the parameters stated by TI for that component or service voids all express and any implied warranties for the associated TI component or service and is an unfair and deceptive business practice. TI is not responsible or liable for any such statements.

Buyer acknowledges and agrees that it is solely responsible for compliance with all legal, regulatory and safety-related requirements concerning its products, and any use of TI components in its applications, notwithstanding any applications-related information or support that may be provided by TI. Buyer represents and agrees that it has all the necessary expertise to create and implement safeguards which anticipate dangerous consequences of failures, monitor failures and their consequences, lessen the likelihood of failures that might cause harm and take appropriate remedial actions. Buyer will fully indemnify TI and its representatives against any damages arising out of the use of any TI components in safety-critical applications.

In some cases, TI components may be promoted specifically to facilitate safety-related applications. With such components, TI's goal is to help enable customers to design and create their own end-product solutions that meet applicable functional safety standards and requirements. Nonetheless, such components are subject to these terms.

No TI components are authorized for use in FDA Class III (or similar life-critical medical equipment) unless authorized officers of the parties have executed a special agreement specifically governing such use.

Only those TI components which TI has specifically designated as military grade or "enhanced plastic" are designed and intended for use in military/aerospace applications or environments. Buyer acknowledges and agrees that any military or aerospace use of TI components which have **not** been so designated is solely at the Buyer's risk, and that Buyer is solely responsible for compliance with all legal and regulatory requirements in connection with such use.

TI has specifically designated certain components as meeting ISO/TS16949 requirements, mainly for automotive use. In any case of use of non-designated products, TI will not be responsible for any failure to meet ISO/TS16949.

### Products

Audio	<a href="http://www.ti.com/audio">www.ti.com/audio</a>
Amplifiers	<a href="http://amplifier.ti.com">amplifier.ti.com</a>
Data Converters	<a href="http://dataconverter.ti.com">dataconverter.ti.com</a>
DLP® Products	<a href="http://www.dlp.com">www.dlp.com</a>
DSP	<a href="http://dsp.ti.com">dsp.ti.com</a>
Clocks and Timers	<a href="http://www.ti.com/clocks">www.ti.com/clocks</a>
Interface	<a href="http://interface.ti.com">interface.ti.com</a>
Logic	<a href="http://logic.ti.com">logic.ti.com</a>
Power Mgmt	<a href="http://power.ti.com">power.ti.com</a>
Microcontrollers	<a href="http://microcontroller.ti.com">microcontroller.ti.com</a>
RFID	<a href="http://www.ti-rfid.com">www.ti-rfid.com</a>
OMAP Applications Processors	<a href="http://www.ti.com/omap">www.ti.com/omap</a>
Wireless Connectivity	<a href="http://www.ti.com/wirelessconnectivity">www.ti.com/wirelessconnectivity</a>

### Applications

Automotive and Transportation	<a href="http://www.ti.com/automotive">www.ti.com/automotive</a>
Communications and Telecom	<a href="http://www.ti.com/communications">www.ti.com/communications</a>
Computers and Peripherals	<a href="http://www.ti.com/computers">www.ti.com/computers</a>
Consumer Electronics	<a href="http://www.ti.com/consumer-apps">www.ti.com/consumer-apps</a>
Energy and Lighting	<a href="http://www.ti.com/energy">www.ti.com/energy</a>
Industrial	<a href="http://www.ti.com/industrial">www.ti.com/industrial</a>
Medical	<a href="http://www.ti.com/medical">www.ti.com/medical</a>
Security	<a href="http://www.ti.com/security">www.ti.com/security</a>
Space, Avionics and Defense	<a href="http://www.ti.com/space-avionics-defense">www.ti.com/space-avionics-defense</a>
Video and Imaging	<a href="http://www.ti.com/video">www.ti.com/video</a>

### TI E2E Community

[e2e.ti.com](http://e2e.ti.com)