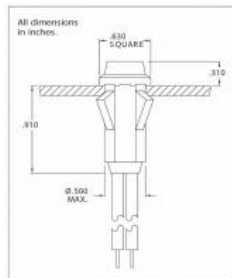


## Products

### Neon & Incandescent Indicators

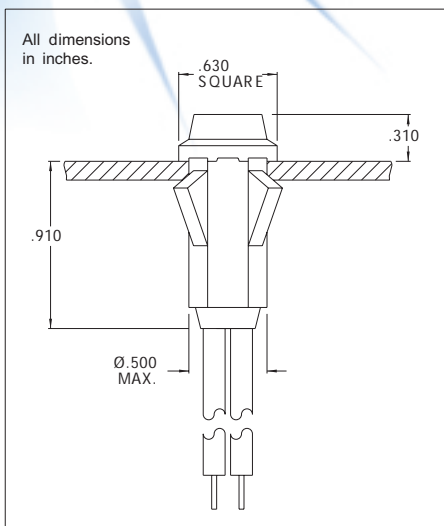
CML IT offers panel mount indicators manufactured with LED, Neon or Incandescent light sources. These indicators are available in a number of different lens and termination styles, with voltages of 2V ~ 250V available off-the-shelf.



**Part Number:** 1050N3  
**Serial Number:** 1050  
**Light Source:** Neon  
**Color:** Amber  
**Voltage (V):** 125VAC  
**Mounting Hole (inch):** 0.50  
**Mounting Hole (metric):** 12.7  
**Termination:** 4.5" 22 AWG wire  
**Bezel color:** Stainless Steel  
**Housing color:** White  
**UL file:** E20325  
**CSA file:** LR13346  
**RoHS Status:** Yes

**1050N, 1052N and 1090N Series Non-Relampable Neon-Incandescent Indicator Lights**

**DESCRIPTION AND FEATURES**



Mounting: Will snap-fit into Ø.500/.505 hole in panels .020/.100 thick. Push-on speednut SN0461 also available. Mounting hole pattern on page SP2.

Wire Leads: No.22 AWG (105°C), 4.40/4.80 long, stripped .430/.570

Lens: Polycarbonate

Bezel: Polished stainless steel.  
 For black finish add "X" after the series letter(s).

Housing: White Nylon

Lens Color	Neon	Incandescent	
	Model No. (105-125VAC)	Model No. (12V)	Model No. (28V)
Red	1050N1	1090N1-12V	1090N1-28V
Clear	1050N2	-	-
Amber	1050N3	1090N3-12V	1090N3-28V
White	1050N4	1090N4-12V	1090N4-28V
Green	1052N5*	1090N5-12V	1090N5-28V
Lamp used	C2A+R resistor	#2162	#2187
Lead Color	Black	Yellow	Purple

\* Incorporates G2B lamp and resistor.  
 Underwriters Laboratories (UL) File No. E20325  
 Canadian Standards Association (CSA) File No. LR13346