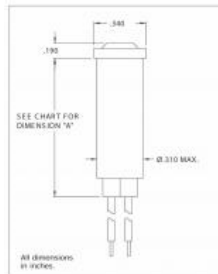




Products

Neon & Incandescent Indicators

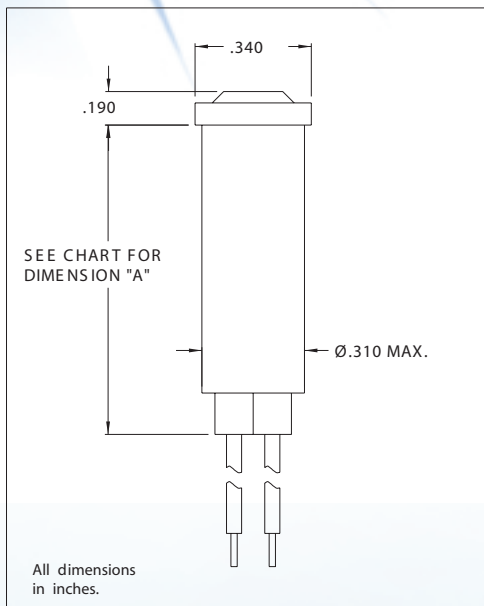
CML IT offers panel mount indicators manufactured with LED, Neon or Incandescent light sources. These indicators are available in a number of different lens and termination styles, with voltages of 2V ~ 250V available off-the-shelf.



Part Number: 2110A3
Serial Number: 2110
Light Source: Neon
Color: Amber
Voltage (V): 125VAC
Mounting Hole (inch): 0.31
Mounting Hole (metric): 7.9
Termination: 4.5" 22 AWG wire
Bezel color: White
Housing color: White
UL file: E20325
CSA file: LR13346
RoHS Status: Yes

**2110A, 2111A, 2112A, 2113A and 2195A Series Non-Relampable
 Neon-Incandescent Indicator Lights**

DESCRIPTION AND FEATURES



Mounting: Ø.310 MIN., supplied with push-on speednut SN1287.
 Wire Leads: No.22 AWG (105°C) 4.40/4.80 long, stripped .430/.570
 Lens: Polycarbonate-neon transparent, incandescent-translucent
 Bezel: White nylon. For black finish add "X" after the series letter(s).
 Housing: White Nylon

| Lens Color | Neon | | Incandescent | |
|------------|---------------------------|---------------------------|--------------------|--------------------|
| | Model No. (105-125VAC) | Model No. (208-250VAC) | Model No. (12V) | Model No. (28V) |
| Red | 2110A1 | 2111A1 | 2195A1-12V | 2195A1-28V |
| Clear | 2110A2 | 2111A2 | - | - |
| Amber | 2110A3 | 2111A3 | 2195A3-12V | 2195A3-28V |
| White | 2110A4 | 2111A4 | 2195A4-12V | 2195A4-28V |
| Green | 2112A5* | 2113A5* | 2195A5-12V | 2195A5-28V |
| Blue | 2112A6** | 2113A6** | - | - |
| Lamp used | C2A+R resistor | C2A+Resistor | #2162 | #2187 |
| Lead Color | Black | Black/Red | Yellow | Purple |
| "A" DIM | 1.480 | 1.480 | .740 | .740 |

* Incorporates G2B lamp and resistor.

** Incorporates T2B lamp and resistor.

Underwriters Laboratories (UL) File No. E20325

Canadian Standards Association (CSA) File No. LR13346