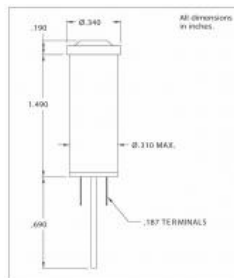


## Products

### Neon & Incandescent Indicators

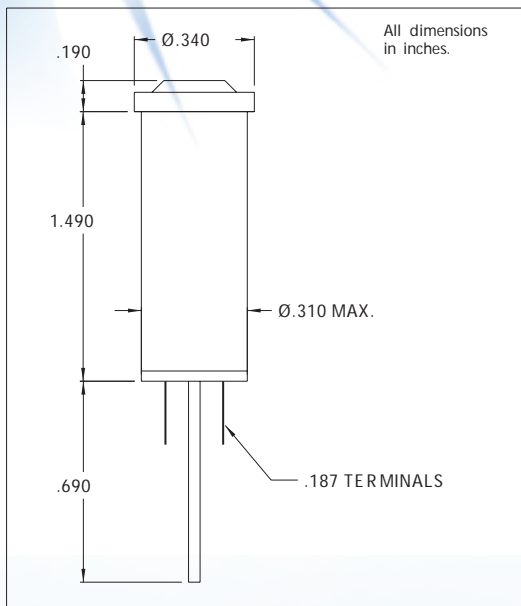
CML IT offers panel mount indicators manufactured with LED, Neon or Incandescent light sources. These indicators are available in a number of different lens and termination styles, with voltages of 2V ~ 250V available off-the-shelf.



**Part Number:** 2112QA5  
**Serial Number:** 2112  
**Light Source:** Neon  
**Color:** Green  
**Voltage (V):** 125VAC  
**Mounting Hole (inch):** 0,31  
**Mounting Hole (metric):** 7,9  
**Termination:** .187" QC  
**Bezel color:** White  
**Housing color:** White  
**UL file:** E20325  
**CSA file:** LR13346  
**RoHS Status:** Yes

**2110QA, 2111QA, 2112QA, 2113QA Series Non-Relampable Neon Indicator Lights**

**DESCRIPTION AND FEATURES**



Mounting: Ø.310 MIN., supplied with push-on speednut SN1287.

Terminals: Quick-connect, tinned brass, .187 x .020

Lens: Polycarbonate

Bezel: White nylon. For black finish add "X" after the series letter(s).

Housing: White Nylon

Lens Color	Neon	
	Model No. (105-125VAC)	Model No. (208-250VAC)
Red	2110QA1	2111QA1
Clear	2110QA2	2111QA2
Amber	2110QA3	2111QA3
White	2110QA4	2111QA4
Green	2112QA5*	2113QA5*
Lamp	C 2A+Resistor	C 2A+R resistor

\* Incorporates G2B lamp and resistor.  
 Underwriters Laboratories (UL) File No. E20325  
 Canadian Standards Association (CSA) File No. LR13346