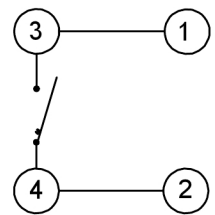
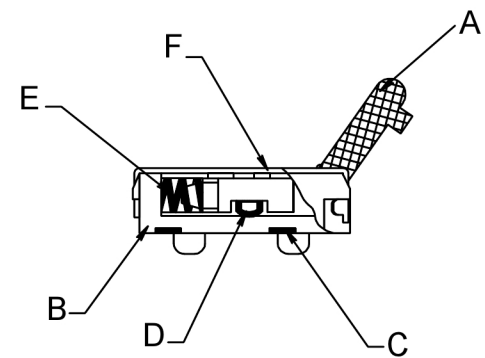


PCB LAYOUT PLAN



CIRCUIT DIAGRAM

Rated range:50mA DC12V  
 Insulation resistance:≥100MΩmin (DC100V)  
 Compressive strength:AC100V(50/60Hzfoy1minute)  
 Mechanical life:50000 cycles  
 Operating temperature:-10℃~+60℃  
 Operation strength:50±30gf



ITEM	PAPT NAMF	QTY	Material	Colour
F	lid	1	SUS	silvery white
E	Shrapnel	1	SUS	silvery white
D	Contact plate	1	PPA	black
C	Solder patch	1	Phosphor bronze	silvery white
B	base	1	PPA	black
A	Button	1	PA66	wihte

广东星坤科技股份有限公司

MARK	DESCRIPTION	DATE	REVISED	APPROVED
Δx				
Δx				
Δx				

文件工程章

REVISIONS	DATE	REVISED	APPROVED	UNSPECIFIED TOLERANCES

DSND	SCALE: N/A	MODEL TYPE:
		TACT SWITCH
DWN	VIEW: ④	PART NO.:
		TM-1201-X
CHKD	UNIT: mm/in	DWG NO.:
APPD	SIZE: A4	WEIGHT
XKB INDUSTRIAL PRECISION CO., LIMITED		SHEET
		1/1
		REVISIC
		A0

