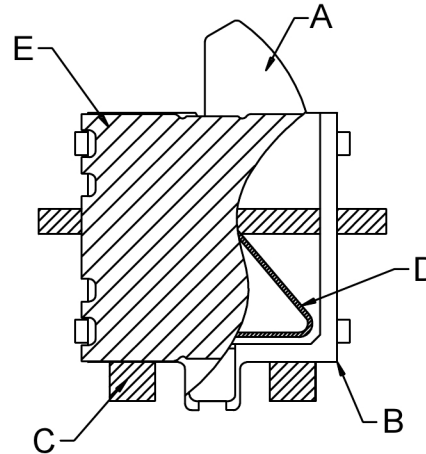
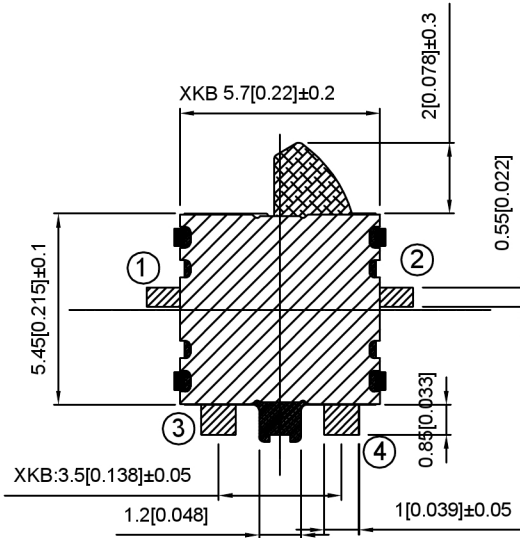
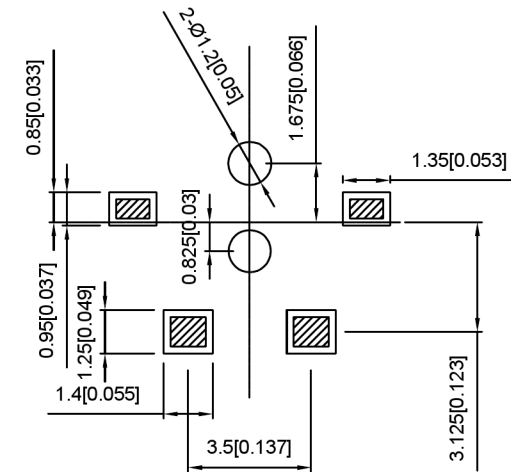


Rated range:50mA DC12V  
 Insulation resistance:≥100MΩmin (DC100V)  
 Contact resistance:≤300mΩ  
 Compressive strength:AC100V(50/60Hz)1 minute  
 Mechanical life:50000 cycles  
 Operating temperature:-10℃~+60℃  
 Operation strength:50±30gf



### PCB



E	lid	1	SUS	silvery white
D	Shrapnel	1	Silver copper	silvery white
C	Solder patch	1	Phosphor bronze	silvery white
B	base	1	PA66	black
A	Button	1	PA66	black
ITEM	PAPT NAMF	QTY	Material	colour

广东星坤科技股份有限公司

日期  
 文件工程章

文件工程章

REVISIONS	DATE	REVISED	APPROVED	UNSPECIFIED TOLERANCES
ΔX				ANGULAR ±5°
ΔX				L ≤ 4 ±0.2
ΔX				4 < L ≤ 16 ±0.3
MARK				16 < L ≤ 63 ±0.4
				L > 63 ±0.5



DSND		SCALE: N/A
DWN		VIEW:
CHKD		UNIT: mm/in
APPD		SIZE: A4

MODEL TYPE:	DETECT SWITCH	
PART NO.:	TM-1627A	
DWG NO.:		
WEIGHT	SHEET	REVISIC
	1/1	A0

XKB INDUSTRIAL PRECISION CO., LIMITED

www.helloxkb.com www.helloxkb.cn www.xk-dg.cn