

1-794607-2 ✓ ACTIVE

MATE-N-LOK | Micro MATE-N-LOK

TE Internal #: 1-794607-2

Receptacle Contact, Gold (Au), 250 VAC, 250 VDC, Locking Lance
Contact Retention, 30 – 26 AWG, .05 – .14 mm² Wire, Crimp, Micro
MATE-N-LOK

[View on TE.com >](#)



Connectors > Contacts > Connector Contacts



Contact Type: **Receptacle**

Contact Mating Area Plating Material: **Gold (Au)**

Wire Contact Termination Area Plating Material: **Tin**

Operating Voltage: **250 VDC**

Features

Product Type Features

Discrete Wire Type	Stranded
--------------------	----------

Electrical Characteristics

Operating Voltage	250 VDC
-------------------	---------

Contact Features

Contact Type	Receptacle
--------------	------------

Contact Mating Area Plating Material	Gold (Au)
--------------------------------------	-----------

Wire Contact Termination Area Plating Material	Tin
--	-----

Contact Retention Within Housing	With
----------------------------------	------

Contact Base Material	Phosphor Bronze
-----------------------	-----------------

Contact Current Rating (Max)	5 A
------------------------------	-----

Mating Square Post Dimension	.64 mm[.025 in]
------------------------------	-----------------

Contact Mating Area Plating Material Thickness	.76 μm[30 μin]
--	----------------

Wire Contact Termination Area Plating Thickness	2.54 μm[100 μin]
---	------------------

Wire Contact Termination Area Plating Material Finish	Bright
---	--------

Contact Orientation	Straight
---------------------	----------



Contact Underplating Material	Nickel
-------------------------------	--------

Contact Underplating Material Thickness	1.27 µm[50 µin]
---	-----------------

Termination Features

Termination Method to Wire & Cable	Crimp
------------------------------------	-------

Product Terminates To	Wire & Cable
-----------------------	--------------

Mechanical Attachment

Contact Retention Type Within Housing	Locking Lance
---------------------------------------	---------------

Wire Insulation Support	Without
-------------------------	---------

Dimensions

Wire Size	.05 – .14 mm ²
-----------	---------------------------

Compatible Insulation Diameter Range	.89 – 1.27 mm[.035 – .05 in]
--------------------------------------	------------------------------

Usage Conditions

Operating Temperature Range	-40 – 105 °C[-40 – 221 °F]
-----------------------------	----------------------------

Operation/Application

Circuit Application	Power
---------------------	-------

Industry Standards

Compatible With Agency/Standards Products	VDE
---	-----

Packaging Features

Packaging Quantity	15000
--------------------	-------

Packaging Method	Reel
------------------	------

Product Compliance

For compliance documentation, visit the product page on [TE.com](https://www.te.com)>

EU RoHS Directive 2011/65/EU	Compliant
------------------------------	-----------

EU ELV Directive 2000/53/EC	Compliant
-----------------------------	-----------

China RoHS 2 Directive MIIT Order No 32, 2016	No Restricted Materials Above Threshold
---	---

EU REACH Regulation (EC) No. 1907/2006	Current ECHA Candidate List: JAN 2025 (247) Candidate List Declared Against: JAN 2025 (247) Does not contain REACH SVHC
--	---

Halogen Content	Low Halogen - Br, Cl, F, I < 900 ppm per homogenous material. Also BFR/CFR/PVC Free
-----------------	---

Solder Process Capability

Not applicable for solder process capability

Product Compliance Disclaimer

This information is provided based on reasonable inquiry of our suppliers and represents our current actual knowledge based on the information they provided. This information is subject to change. The part numbers that TE has identified as EU RoHS compliant have a maximum concentration of 0.1% by weight in homogenous materials for lead, hexavalent chromium, mercury, PBB, PBDE, DBP, BBP, DEHP, DIBP, and 0.01% for cadmium, or qualify for an exemption to these limits as defined in the Annexes of Directive 2011/65/EU (RoHS2). Finished electrical and electronic equipment products will be CE marked as required by Directive 2011/65/EU. Components may not be CE marked. Additionally, the part numbers that TE has identified as EU ELV compliant have a maximum concentration of 0.1% by weight in homogenous materials for lead, hexavalent chromium, and mercury, and 0.01% for cadmium, or qualify for an exemption to these limits as defined in the Annexes of Directive 2000/53/EC (ELV). Regarding the REACH Regulation, the information TE provides on SVHC in articles for this part number is based on the latest European Chemicals Agency (ECHA) 'Guidance on requirements for substances in articles' posted at this URL: <https://echa.europa.eu/guidance-documents/guidance-on-reach>

Compatible Parts



TE Part # 2151142-2
OCEAN_2.0 APPLICATOR-S-042F070F-RSA




TE Part # 91391-1
SDE PEW 12MICRO MNL HAND TOOL



TE Part # 843996-6
TOOL, EXTRACTION RESET



TE Part # 2151142-1
OCEAN_2.0 APPLICATOR-S-042F070F-RSM



TE Part # 91391-2
SDE COMM MICRO MNL DIE SET

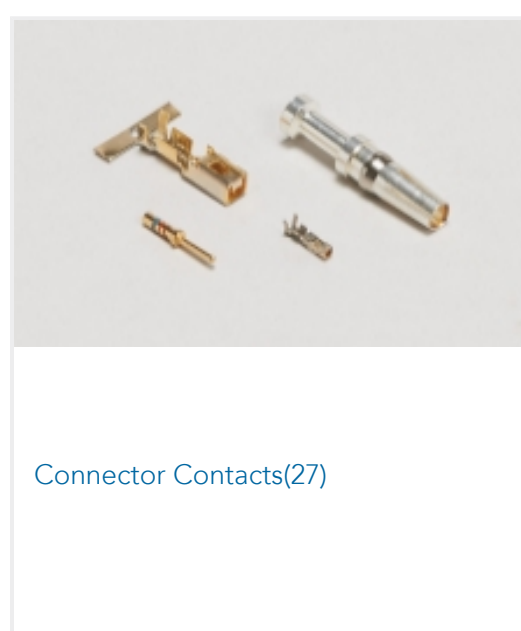


TE Part # 91502-1
CCII MICRO MNL REC 30-26 ASSY

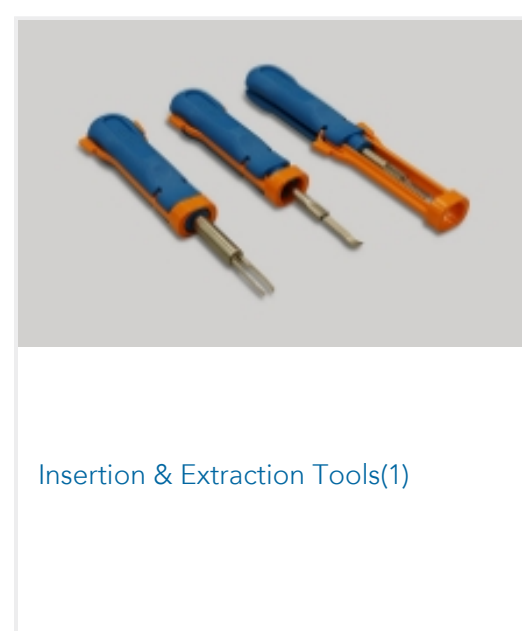


TE Part # 7-2151142-7
OCEAN_2.0_SPARE_PART_KIT-042F070F

Also in the Series | Micro MATE-N-LOK



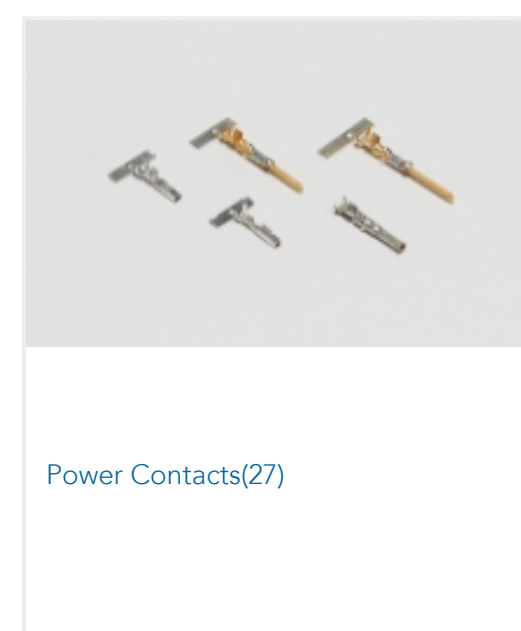
Connector Contacts(27)



Insertion & Extraction Tools(1)



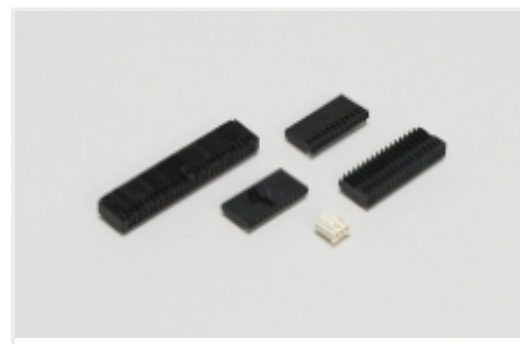
PCB Headers & Receptacles(371)



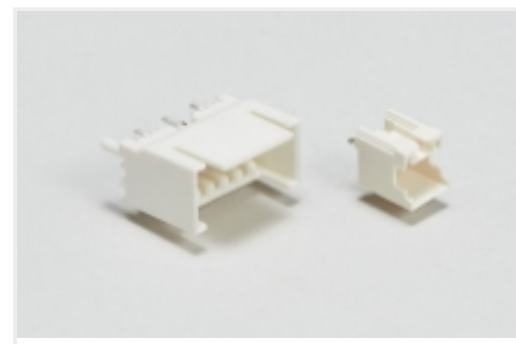
Power Contacts(27)



Rectangular Power Connectors(469)

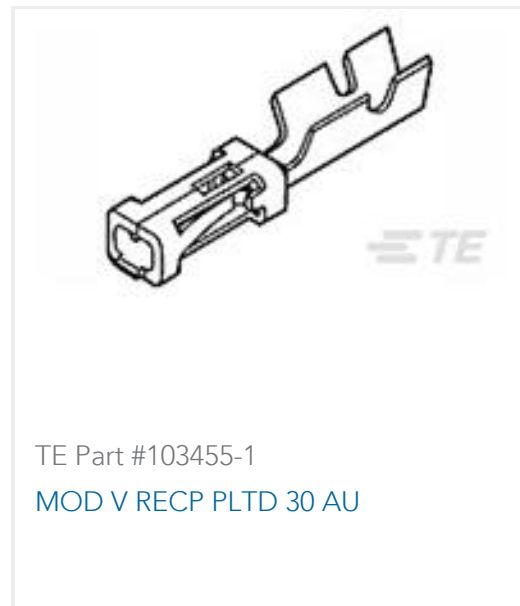
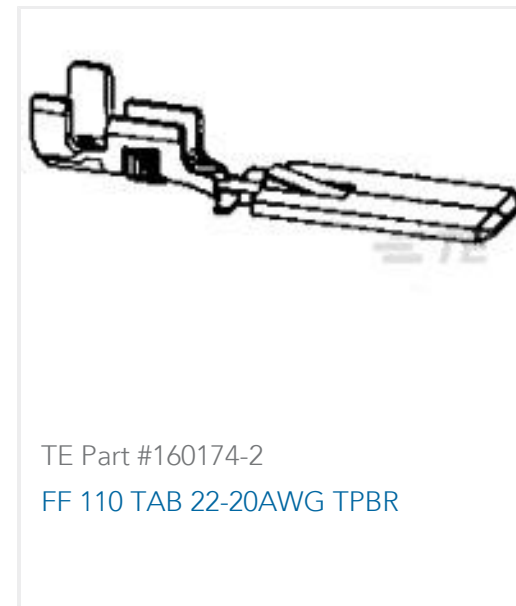
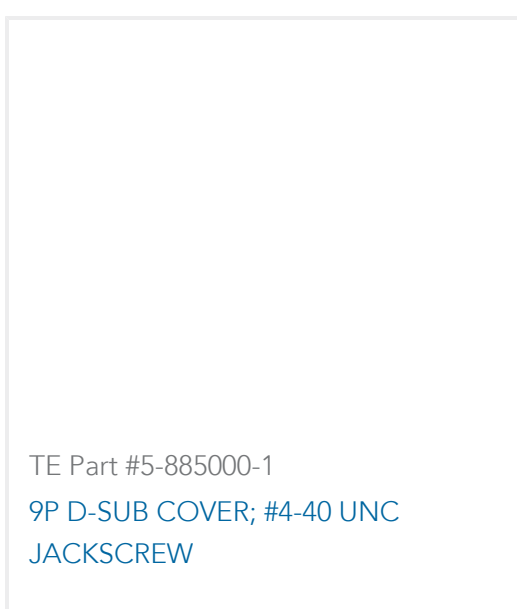


Wire-to-Board Connector Assemblies & Housings(27)



Wire-to-Board Headers & Receptacles (371)

Customers Also Bought

TE Part #802432-SF
FN2030-10-06TE Part #103455-1
MOD V RECP PLTD 30 AUTE Part #1-111504-5
014 UNIV I/O 30DP NO EARS LTCHTE Part #160174-2
FF 110 TAB 22-20AWG TPBRTE Part #794617-2
2POS,MICRO MNL,RCPT HSGTE Part #794617-6
6POS,MICRO MNL,RCPT HSGTE Part #1445022-4
MICRO MNL RFECEPT HSG SINGLE RTE Part #2-1445050-4
MICRO MNL HDR ASSY S/ROW LFTE Part #5-885000-1
9P D-SUB COVER; #4-40 UNC
JACKSCREWTE Part #1337711-1
7.54MM CSA BRAID M5 - M5 100MM

Documents

Product Drawings

[MICRO MNL RPT CNT STRP 30AU LF](#)

English

CAD Files

[Customer View Model](#)

[ENG_CVM_1-794607-2_F.3d_igs.zip](#)

English

[Customer View Model](#)



[ENG_CVM_1-794607-2_F.3d_stp.zip](#)

English

Customer View Model

[ENG_CVM_1-794607-2_F.2d_dxf.zip](#)

English

3D PDF

English

3D PDF

3D

Customer View Model

[ENG_CVM_CVM_1-794607-2_J.2d_dxf.zip](#)

English

Customer View Model

[ENG_CVM_CVM_1-794607-2_J.3d_igs.zip](#)

English

Customer View Model

[ENG_CVM_CVM_1-794607-2_J.3d_stp.zip](#)

English

By downloading the CAD file I accept and agree to the [Terms and Conditions](#) of use.

Datasheets & Catalog Pages

[SOFT_SHELL_PIN_AND_SOCKET_CONNECTORS_CATALOG](#)

English

[MICRO MATE-N-LOK CONNECTOR SYSTEM](#)

English

Product Specifications

[Application Specification](#)

English

Agency Approvals

[UL Report](#)

English