

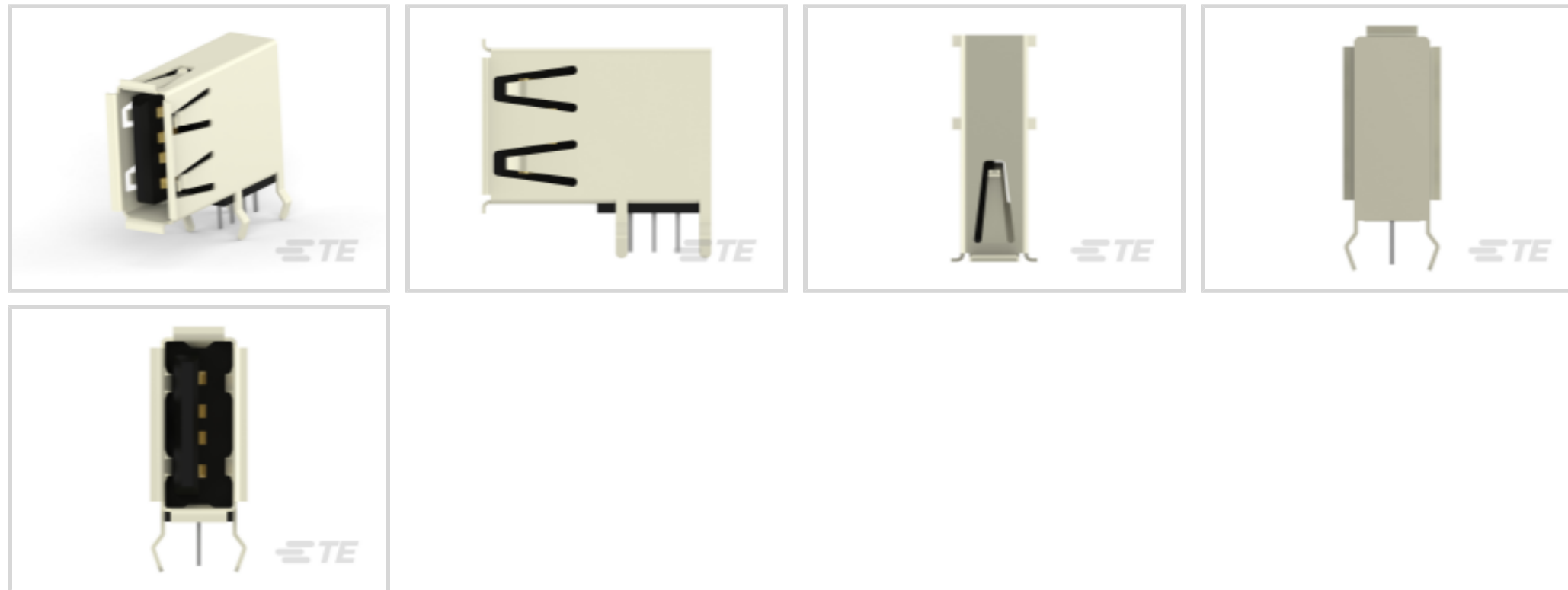


TE Internal #: 1-1734775-1

A, 2.0, Standard Profile, Receptacle, 1 Port, Top, Perpendicular  
Right Angle, Box & Tray / Tray, Flush, Through Hole - Solder, USB  
Connectors

[View on TE.com >](#)

Connectors > Audio & Video Connectors > USB Connectors



USB Adapter Type: **A**

USB Version: **2.0**

Connector Profile: **Standard**

Connector & Housing Type: **Receptacle**

Number of Ports: **1**

### Features

#### Product Type Features

USB Adapter Type	A
USB Version	2.0
Connector & Housing Type	Receptacle
Connector System	Cable-to-Board
Connector & Contact Terminates To	Printed Circuit Board
USB Connector Type	USB 2.0 Type-A

#### Configuration Features

Number of Mounting Legs	4
Number of Ports	1
Number of Positions	4

#### Body Features

Shell Plating Material	Nickel over Copper
Connector Profile	Standard

#### Contact Features

--	--



Contact Mating Area Plating Material Thickness	.76 $\mu\text{m}$ [29.92 $\mu\text{in}$ ]
Contact Mating Area Plating Material	Gold Flash over Palladium Nickel
Contact Current Rating (Max)	1.5 A

#### Termination Features

Termination Post & Tail Length	3.3 mm[.13 in]
Termination Method to PCB	Through Hole - Solder

#### Mechanical Attachment

Locking Feature	Without
PCB Mount Location	Top
PCB Connector Seating	Flush
PCB Mount Retention Type	Kinked Legs
Panel Mount Feature Type	Flange
Connector Mounting Type	Board Mount

#### Housing Features

Housing Color	Black
Housing Material	Thermoplastic
Body Orientation	Perpendicular Right Angle
Centerline (Pitch)	2 mm, 2.5 mm[.078 in][.098 in]

#### Dimensions

PCB Thickness (Recommended)	1.6 mm[.063 in]
-----------------------------	-----------------

#### Usage Conditions

Soldering Temperature (Max)	240 $^{\circ}\text{C}$ [464 $^{\circ}\text{F}$ ]
Mating Cycles (Max)	250
Operating Temperature Range	0 – 50 $^{\circ}\text{C}$ [32 – 122 $^{\circ}\text{F}$ ]

#### Operation/Application

Halogen Free	No
Circuit Application	Power & Signal

#### Industry Standards

Industry Standard	USB 2.0
Moisture Sensitivity Level	1
UL Flammability Rating	UL 94V-0

#### Packaging Features



Packaging Quantity	100
Packaging Method	Box & Tray, Tray

### Product Compliance

[For compliance documentation, visit the product page on TE.com>](#)

EU RoHS Directive 2011/65/EU	Compliant
EU ELV Directive 2000/53/EC	Out of Scope
China RoHS 2 Directive MIIT Order No 32, 2016	No Restricted Materials Above Threshold
EU REACH Regulation (EC) No. 1907/2006	Current ECHA Candidate List: JAN 2025 (247) Candidate List Declared Against: JAN 2025 (247) Does not contain REACH SVHC
Halogen Content	Not Low Halogen - contains Br or Cl > 900 ppm.
Solder Process Capability	Wave solder capable to 265°C

#### Product Compliance Disclaimer

This information is provided based on reasonable inquiry of our suppliers and represents our current actual knowledge based on the information they provided. This information is subject to change. The part numbers that TE has identified as EU RoHS compliant have a maximum concentration of 0.1% by weight in homogenous materials for lead, hexavalent chromium, mercury, PBB, PBDE, DBP, BBP, DEHP, DIBP, and 0.01% for cadmium, or qualify for an exemption to these limits as defined in the Annexes of Directive 2011/65/EU (RoHS2). Finished electrical and electronic equipment products will be CE marked as required by Directive 2011/65/EU. Components may not be CE marked. Additionally, the part numbers that TE has identified as EU ELV compliant have a maximum concentration of 0.1% by weight in homogenous materials for lead, hexavalent chromium, and mercury, and 0.01% for cadmium, or qualify for an exemption to these limits as defined in the Annexes of Directive 2000/53/EC (ELV). Regarding the REACH Regulation, the information TE provides on SVHC in articles for this part number is based on the latest European Chemicals Agency (ECHA) 'Guidance on requirements for substances in articles' posted at this URL: <https://echa.europa.eu/guidance-documents/guidance-on-reach>

### Compatible Parts



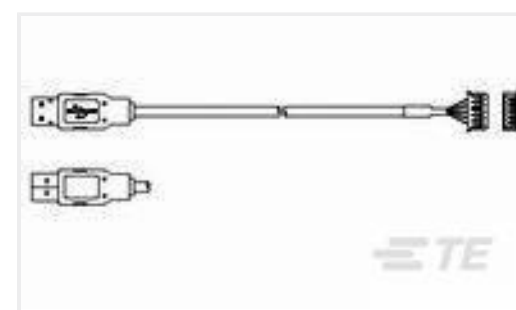
TE Part # 1-1734028-3  
Std USB, Type A, Plug



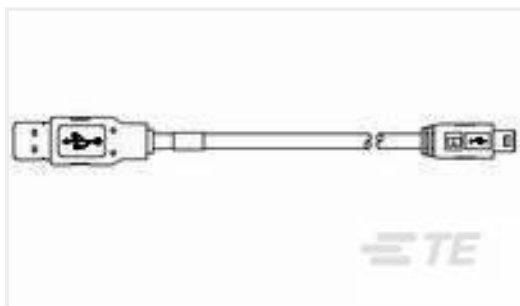
TE Part # 1487593-2  
USB, A-BLUNT,28/24,WHT,1.5M



TE Part # 1496476-1  
STD USB-A TO MINI-B ASSY, 1M



TE Part # 2142872-1  
cable assy, usb a plug to 5p hsg



TE Part # 1929690-1  
USB CABLE, USB A to Mini USB,Blue



TE Part # 1827525-1  
MECHATROLINK II CONNECTOR KIT



TE Part # 1487599-1  
USB, A-BLUNT,28/28,BLK,0.83M



TE Part # 1487593-1  
USB, A-BLUNT,28/24,WHT,2.0M



TE Part # 1734028-1  
Std USB Type A, Plug, Natural

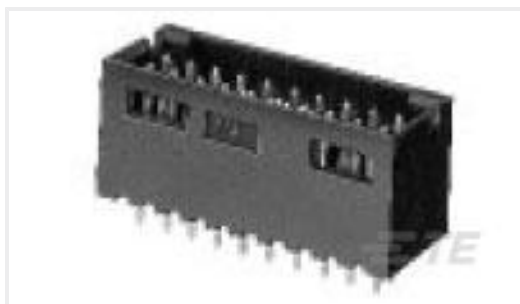


TE Part # 1487600-1  
USB, A-BLUNT,28/26,BLK,1.0M



TE Part # 1-1734028-1  
Std USB, Type A, Plug, Natural

### Customers Also Bought



TE Part #5-102618-3  
10 MODII HDR DRST SHRD .100CL



TE Part #350827-1  
06P UMNL HDR ASSY PC 94VO



TE Part #3-647166-2  
2P MTA100 HDR ASSY,SM,FL,LF



TE Part #747840-6  
09 MSFL PLUG RA 318 (SL,FM,BL)



TE Part #1-770182-1  
09P MINI UMNL ASSY VO SNAU LF



TE Part #3-1624246-1  
RSS3 39R 5% AMMO PK



TE Part #1825910-1  
FSM2JLH=6MM TACT SWITCH, HIGH TEMP



TE Part #1-1879502-7  
CRGH2512 5% 62K 2W



TE Part #1-2007492-5  
SFP+assy 2x1 EMI Springs 4LP Sn Enhanced



TE Part #1-1734742-8  
.5 FPC VT ZIF Type-A 18 CONT

### Documents



### Std USB Type A, Flag, T/H, 1.8A

English

---

#### 3D PDF

3D

#### Customer View Model

[ENG\\_CVM\\_CVM\\_1-1734775-1\\_C.2d\\_dxf.zip](#)

English

#### Customer View Model

[ENG\\_CVM\\_CVM\\_1-1734775-1\\_C.3d\\_igs.zip](#)

English

#### Customer View Model

[ENG\\_CVM\\_CVM\\_1-1734775-1\\_C.3d\\_stp.zip](#)

English

By downloading the CAD file I accept and agree to the [Terms and Conditions](#) of use.

---

### USB CONNECTOR, RCPT. TYPE.

English

#### Product Specification

English