

# ICS25-C100X12-DKP-9005 - Upper housing part with display



1524410

<https://www.phoenixcontact.com/pc/products/1524410>

Please be informed that the data shown in this PDF document is generated from our online catalog. Please find the complete data in the user documentation. Our general terms of use for downloads are valid.

DIN rail housing, Upper part, integrated 0.96" display, width: 25 mm, height: 100 mm, depth: 14.35 mm, color: black (similar RAL 9005)



## Your advantages

- Housing system for visualization and operation in the control cabinet
- Coordinated housings with pre-installed touch displays
- Time-saving assembly of ready-to-use modules with Plug and Play
- Positioning of the display using the configurator

## Commercial data

Item number	1524410
Packing unit	10 pc
Minimum order quantity	10 pc
Note	Made to order (non-returnable)
Product key	ACHAED
GTIN	4063151991296
Weight per piece (including packing)	18.2 g
Weight per piece (excluding packing)	10.9 g
Customs tariff number	84879090
Country of origin	CN

# ICS25-C100X12-DKP-9005 - Upper housing part with display

1524410

<https://www.phoenixcontact.com/pc/products/1524410>

## Technical data

### Notes

Assembly note	Please observe the application note in the download area.
---------------	---

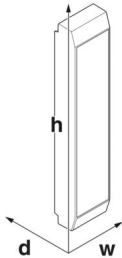
### Product properties

Product type	Upper housing part
Housing type	DIN rail housing
Housing series	ICS
Product family	ICS25-..100X..
Ventilation openings present	no

### Display

Diagonal	0.96 in. (Display)
----------	--------------------

### Dimensions

Dimensional drawing	
Width	25 mm
Height	100 mm
Depth	14.35 mm
Depth from base support surface	11.9 mm

### PCB design

PCB thickness	1.4 mm ... 1.8 mm
---------------	-------------------

### Material specifications

Color	black (RAL 9005)
Flammability rating according to UL 94	V0
CTI according to IEC 60112	600
Housing material	PA
Surface characteristics	untreated

### Environmental and real-life conditions

#### Vibration test

Specification	IEC 60068-2-6:2007-12
Result	Test passed
Frequency	10 - 150 - 10 Hz

# ICS25-C100X12-DKP-9005 - Upper housing part with display



1524410

<https://www.phoenixcontact.com/pc/products/1524410>

Sweep speed	1 octave/min
Amplitude	0.15 mm (10 Hz ... 58.1 Hz)
Acceleration	20 m/s <sup>2</sup>
Test duration per axis	2.5 h
Test directions	X-, Y- and Z-axis

## Shocks

Specification	IEC 60068-2-27:2008-02
Result	Test passed
Acceleration	150 m/s <sup>2</sup>
Shock duration	11 ms
Number of shocks per direction	3
Test directions	X-, Y- and Z-axis (pos. and neg.)

## Ambient conditions

Max. IP code to attain	IP20
Ambient temperature (operation)	-20 °C ... 70 °C (depending on power dissipation)
Ambient temperature (storage/transport)	-20 °C ... 55 °C
Relative humidity (storage/transport)	80 %

## PCB data

Thickness of the PCB	1.4 mm ... 1.8 mm
----------------------	-------------------

## Mounting

Mounting type	Snap in
---------------	---------

## Packaging specifications

Type of packaging	packed in cardboard
Outer packaging type	Carton

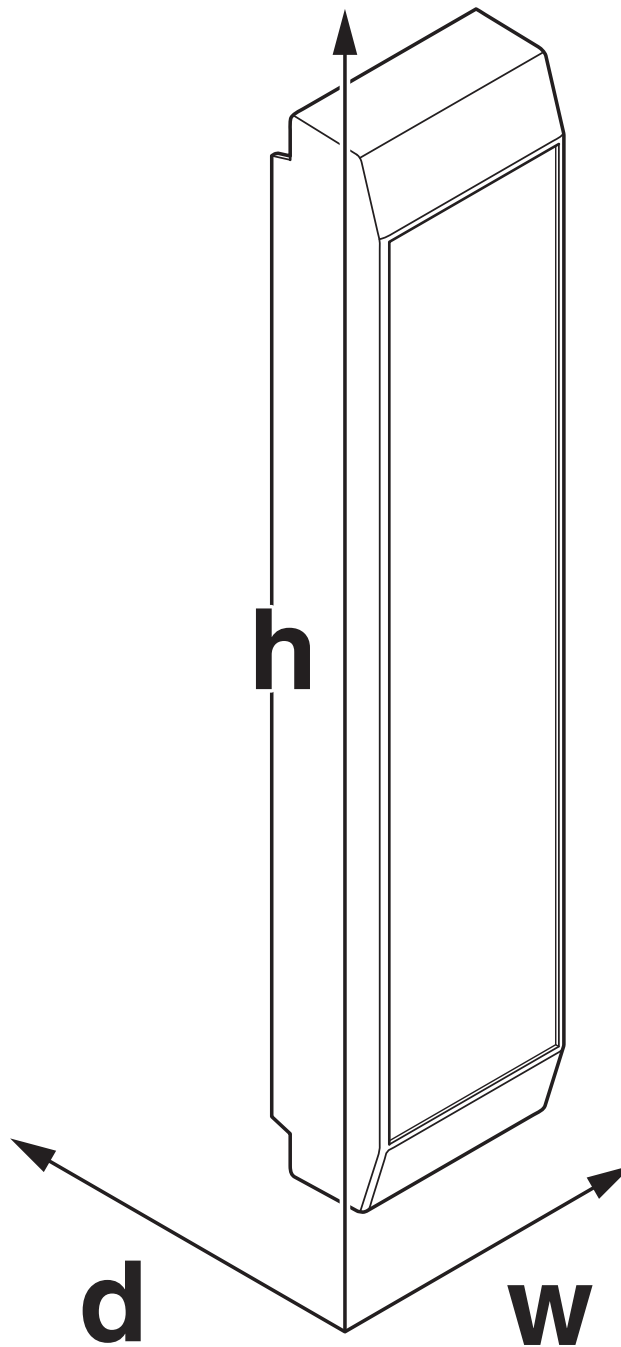
# ICS25-C100X12-DKP-9005 - Upper housing part with display

1524410

<https://www.phoenixcontact.com/pc/products/1524410>

## Drawings

Dimensional drawing



Schematic figure for illustrating the item dimensions. The figure is not of the desired product. For further details, refer to the product drawings in the "Downloads" tab.

# ICS25-C100X12-DKP-9005 - Upper housing part with display



1524410

<https://www.phoenixcontact.com/pc/products/1524410>

## Classifications

### ECLASS

ECLASS-13.0	27190603
ECLASS-15.0	27190603

### ETIM

ETIM 9.0	EC002779
----------	----------

# ICS25-C100X12-DKP-9005 - Upper housing part with display



1524410

<https://www.phoenixcontact.com/pc/products/1524410>

## Environmental product compliance

### EU RoHS

Fulfills EU RoHS substance requirements	Yes, No exemptions
---	--------------------

### China RoHS

Environment friendly use period (EFUP)	EFUP-E
	No hazardous substances above the limits

### EU REACH SVHC

REACH candidate substance (CAS No.)	No substance above 0.1 wt%
-------------------------------------	----------------------------

Phoenix Contact 2025 © - all rights reserved  
<https://www.phoenixcontact.com>

PHOENIX CONTACT GmbH & Co. KG  
Flachmarktstraße 8  
D-32825 Blomberg  
+49 (0) 5235-3 00  
[info@phoenixcontact.com](mailto:info@phoenixcontact.com)