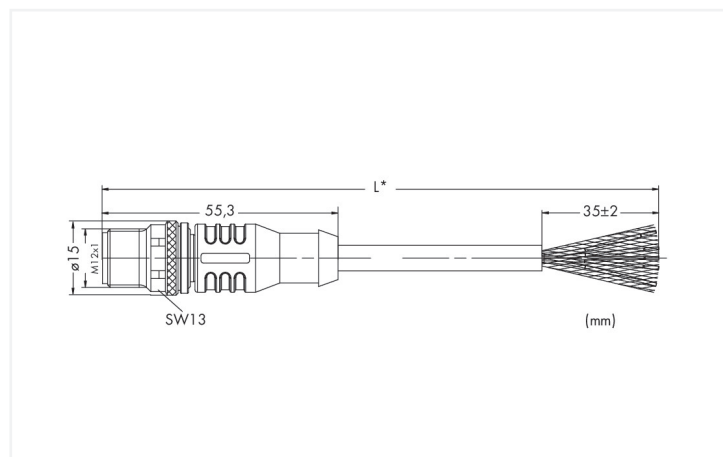
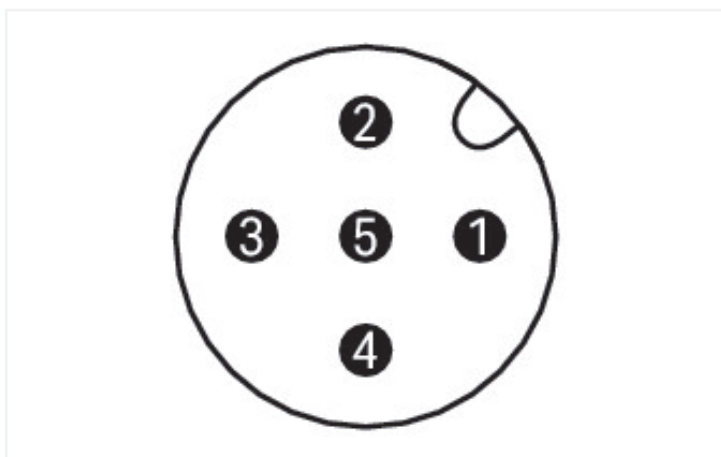
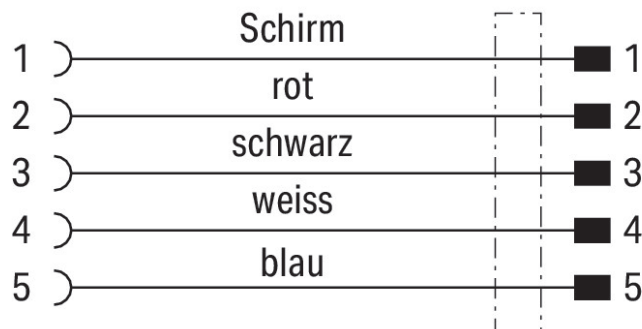




Color: ■ violet

Similar to illustration

Pin 2, 3: 0,38 mm²; Pin 4, 5: 0,67 mm²



Dimensions in mm

Short description:

- PUR VT, halogen-free
- Suitable for drag chains
- High resistance to microbes, hydrolysis, oil, chemicals and UV radiation
- High chemical resistance
- Cable used: UL listed

Technical data

Connection type	M12 plug - free end
Pole number	5
Cable connection direction to mating direction	0°
Connector interface coding (cable/adapter) 1 1	A-coded
Cable length	2 m
Communication/fieldbus	CANopen
Communication/fieldbus (2)	DeviceNet
Operating voltage	≤ 300 V
Operating current	4 A
Rated impulse withstand voltage	2 kV
Contact resistance	10 mΩ
Insulation resistance	≥ 2 × 10 ⁸ Ω/km
Conductor resistance	≤ 57 Ω/km (22 AWG) + ≤ 79 Ω/km (24 AWG)

Mechanical data

Bending radius	5 x cable diameter (min.)
Bending cycles	5 million
Drag chain capability	Yes
Type code	L-02YC11Y 2xAWG24 + 2xAWG22/1.4-120 VI FRNC, shielded
Shield	Tinned copper braid, optical coverage approx. 85 %
Conductor configuration	Bare copper wire (19 x 0.125 mm)
Conductor insulation	Halogen-free PE
Housing material	TPU/TPU, black (~ RAL 9005)
Tightening torque	1 Nm
Weight	155 g
Color	violet

Environmental requirements

Ambient (operating) temperature (dynamic)	-40 ... +80 °C
Ambient (operating) temperature (static)	-40 ... +80 °C
Protection type	IP67
Pollution degree	3/2 per IEC 60664-1
Fire load	0 MJ

Commercial data

PU (SPU)	1 pcs
Packaging type	Box
Country of origin	DE
GTIN	4045454640880
Customs tariff number	85444290900

Product classification

UNSPSC	26121604
eCl@ss 10.0	27-06-18-01
eCl@ss 9.0	27-06-18-01
ETIM 9.0	EC002599
ETIM 8.0	EC002599
ECCN	NO US CLASSIFICATION

Environmental Product Compliance

RoHS Compliance Status	Compliant, No Exemption
------------------------	-------------------------

Approvals / Certificates

General approvals



Approval	Standard	Certificate Name
UL Underwriters Laboratories Inc.	UL 2238	E519602

Downloads

Environmental Product Compliance

Compliance Search

Environmental Product
Compliance
756-1403/060-020



Documentation

System Description

I/O-SYSTEM – SPEED-
WAY, General Product
Information

pdf
1035.20 KB



CAD/CAE-Data

CAE data

WSCAD Universe
756-1403/060-020

