



magnetically operated switch contact block 25 x 88 mm, for left-hinged door, contacts: safety contacts 2 NC, signaling contact 1 NC, with 3 m connection cable without LED, the matching solenoid 3SE6714-2CA or offset by 90° 3SE6724-2CA

product brand name	SIRIUS
product designation	Magnetically operated switch
design of the product	Rectangular sensor unit
product type designation	3SE66
suitability for use safety-related circuits	Yes
General technical data	
product function	
• positive opening	No
• control function for downstream devices	No
• cross-circuit/short-circuit recognition	Yes
type of voltage of the operating voltage	DC
protection class IP	IP67
shock resistance according to IEC 60068-2-27	Sinusoidal half-wave 30g / 11 ms
vibration resistance according to IEC 60068-2-6	10 ... 55 Hz: 1 mm
reference code according to IEC 81346-2	S
Substance Prohibition (Date)	07/01/2006
Weight	0.226 kg
height of the sensor	25 mm
length of the sensor	13 mm
width of the sensor	88 mm
material of the active sensor area	Plastic, glass-fiber reinforced thermoplastic
Ambient conditions	
ambient temperature during operation	-25 ... +70 °C
Control circuit/ Control	
type of voltage	DC
operating voltage rated value	75 V
operational current rated value	400 mA
operating power rated value	10 W
number of NC contacts for auxiliary contacts	3
number of NC contacts safety-related	2
number of NO contacts for auxiliary contacts	0
number of NO contacts safety-related	0
Enclosure	
material of the enclosure	Plastic, glass-fiber reinforced thermoplastic
opening direction of the door	left
material of cable sheath	PVC
Actuator	
design of the actuating element	magnet
Display	
evaluation unit required	yes

Contact	
switching frequency	5 Hz
assured operating distance OFF	17 mm
assured operating distance ON	7 mm
design of the switching function	NC contact
number of switching contacts for signaling function	1
• safety-related	0

Installation/ mounting/ dimensions	
fastening method	screw fixing

Connections/ Terminals	
type of electrical connection	cable
wire length	3 m

Inputs/ Outputs	
number of semiconductor outputs	
• for signaling function	0
• safety-related	0
number of outputs as contact-affected switching element	
• as NC contact	
— for signaling function instantaneous contact	1
— safety-related instantaneous contact	2
• as NO contact safety-related instantaneous contact	0

Safety related data	
category according to EN 954-1	4
proportion of dangerous failures	
• with low demand rate according to SN 31920	50 %
• with high demand rate according to SN 31920	50 %
B10 value with high demand rate according to SN 31920	12 500 000
ISO 13849	
performance level (PL) according to EN ISO 13849-1	PL e
IEC 61508	
Safety Integrity Level (SIL) according to IEC 61508	3
T1 value for proof test interval or service life according to IEC 61508	20 a

Approvals Certificates		
General Product Approval	EMV	Functional Safety



[Miscellaneous](#)

other	Environment
-------	-------------



[Confirmation](#)

[Environmental Con-
firmations](#)

Further information

Information on the packaging

<https://support.industry.siemens.com/cs/ww/en/view/109813875>

Information- and Downloadcenter (Catalogs, Brochures,...)

<https://www.siemens.com/ic10>

Industry Mall (Online ordering system)

<https://mall.industry.siemens.com/mall/en/en/Catalog/product?mlfb=3SE6617-2CA04>

Cax online generator

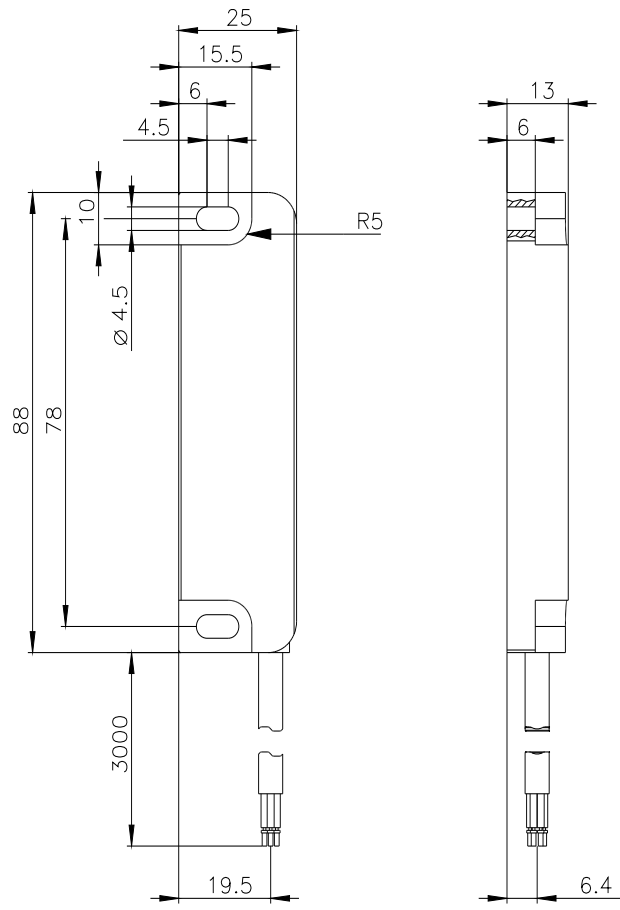
<http://support.automation.siemens.com/WW/CAXorder/default.aspx?lang=en&mlfb=3SE6617-2CA04>

Service&Support (Manuals, Certificates, Characteristics, FAQs,...)

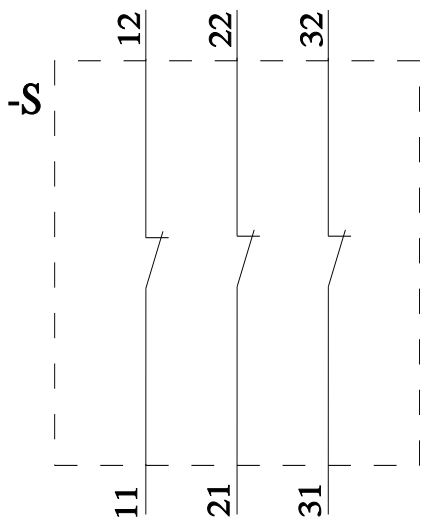
<https://support.industry.siemens.com/cs/ww/en/ps/3SE6617-2CA04>

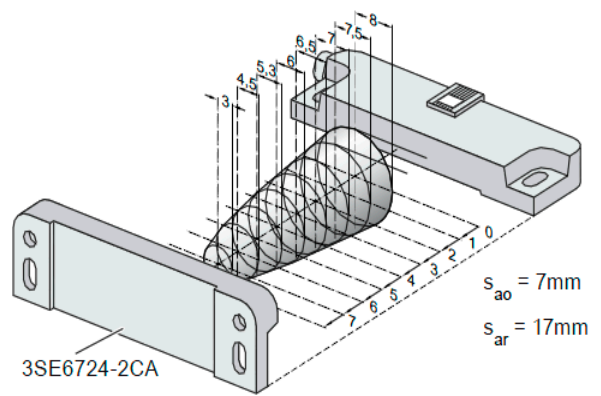
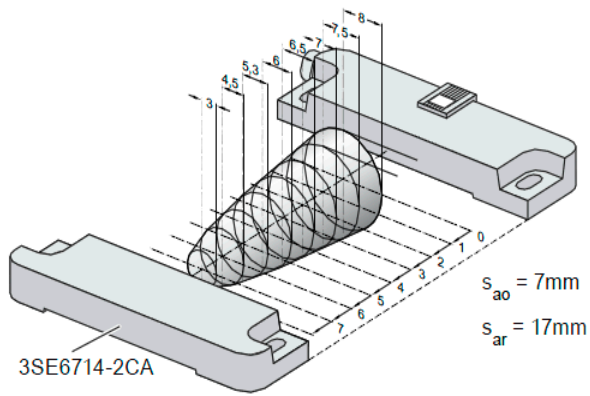
Image database (product images, 2D dimension drawings, 3D models, device circuit diagrams, EPLAN macros, ...)

http://www.automation.siemens.com/bilddb/cax_de.aspx?mlfb=3SE6617-2CA04&lang=en



GN = Green	→	21
YE = Yellow	→	22
GY = Grey	→	11
PK = Pink	→	12
WH = White	→	31
BN = Brown	→	32





last modified:

4/2/2025 