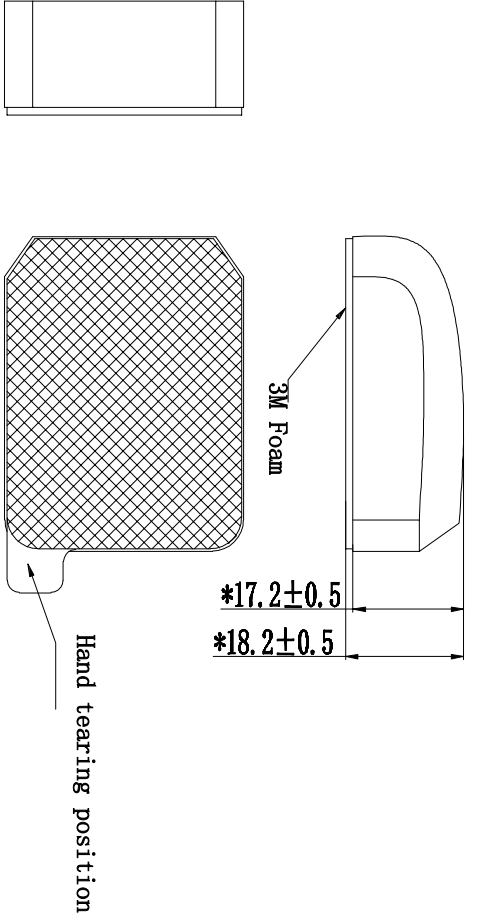
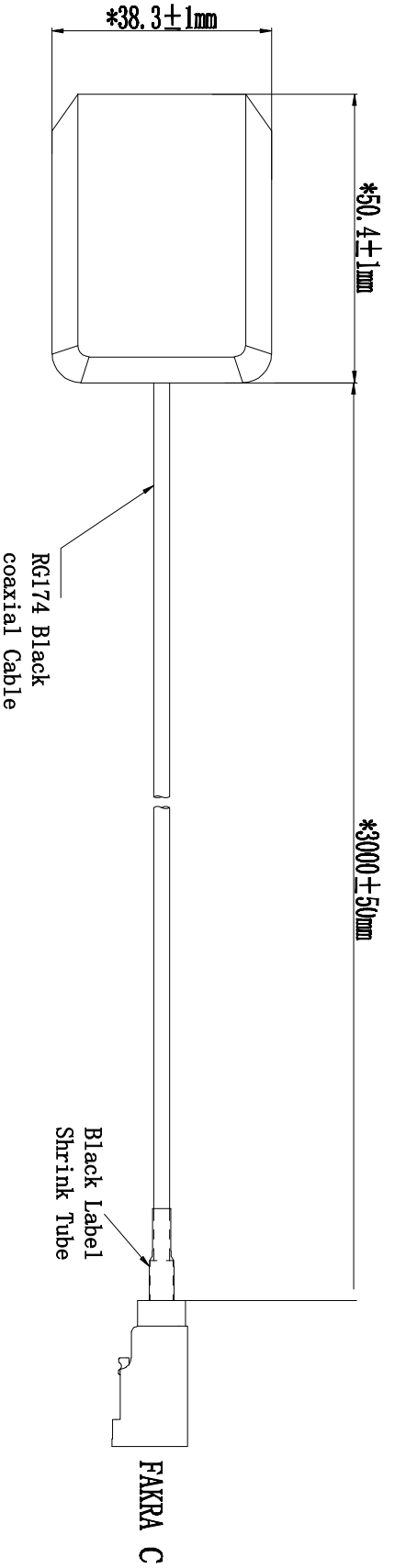


ROHS

REV	DESCRIPTION	AUTHOR	DATE
X1	Release	Lucky	20230407



- Notes:**
- * is the key dimension;
 - Working temperature: $-40^{\circ} \sim +85^{\circ}\text{C}$,
 - IP rating: IP66
 - Packaging requirements: refer to packaging specifications;
 - Comply with ROHS2.0 .

<p>QUECTEL Build a Smarter World</p> <p>上海移远通信技术股份有限公司</p>				<p>Part Name: YEGM008A4_GNSS_Ceramis</p>																																																						
<p>Tolerance</p> <table border="1"> <tr> <td>0-10</td> <td>± 0.05</td> <td>DRAWN</td> <td>Lucky</td> <td>OC:</td> <td>Third</td> <td>Unit</td> <td>mm</td> <td>Size</td> <td>A4</td> <td>Scale</td> <td>1:1</td> <td>Sheet</td> <td>1 of 1</td> </tr> <tr> <td>10-30</td> <td>± 0.10</td> <td>CHKD</td> <td>Kevin</td> <td>YEGM008A4</td> <td>mm</td> <td>mm</td> <td>mm</td> <td>A4</td> <td>1:1</td> <td>1 of 1</td> <td></td> <td></td> </tr> <tr> <td>30-80</td> <td>± 0.15</td> <td>APPD</td> <td>Shaky</td> <td>DATE</td> <td>20230407</td> <td></td> <td></td> <td></td> <td></td> <td></td> <td></td> <td></td> </tr> <tr> <td>≥ 80</td> <td>± 0.20</td> <td>Angle</td> <td>$\pm 1^{\circ}$</td> <td></td> <td></td> <td></td> <td></td> <td></td> <td></td> <td></td> <td></td> <td></td> </tr> </table>		0-10	± 0.05	DRAWN	Lucky	OC:	Third	Unit	mm	Size	A4	Scale	1:1	Sheet	1 of 1	10-30	± 0.10	CHKD	Kevin	YEGM008A4	mm	mm	mm	A4	1:1	1 of 1			30-80	± 0.15	APPD	Shaky	DATE	20230407								≥ 80	± 0.20	Angle	$\pm 1^{\circ}$										<p>REV</p> <p>X1</p>		<p>REV</p> <p>X1</p>	
0-10	± 0.05	DRAWN	Lucky	OC:	Third	Unit	mm	Size	A4	Scale	1:1	Sheet	1 of 1																																													
10-30	± 0.10	CHKD	Kevin	YEGM008A4	mm	mm	mm	A4	1:1	1 of 1																																																
30-80	± 0.15	APPD	Shaky	DATE	20230407																																																					
≥ 80	± 0.20	Angle	$\pm 1^{\circ}$																																																							