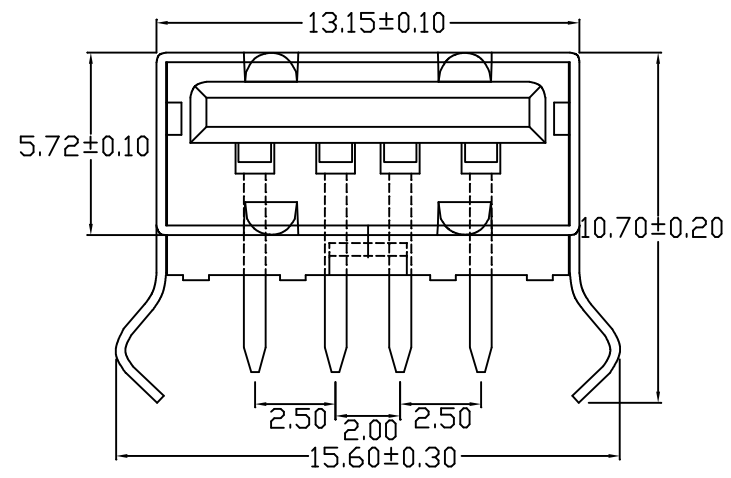
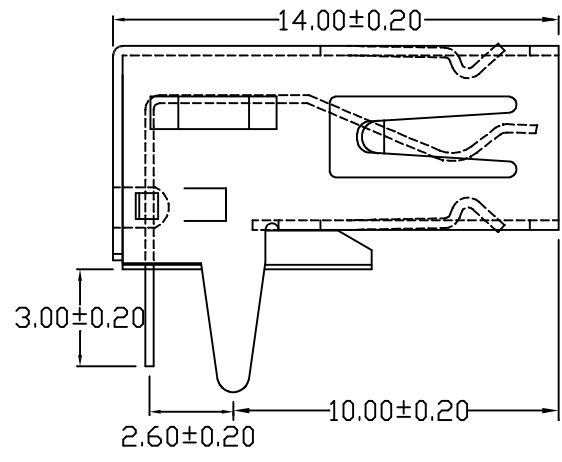
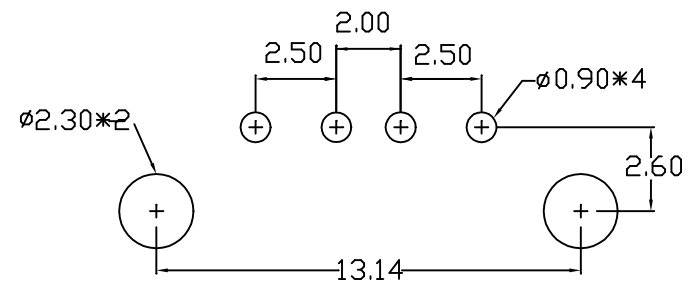
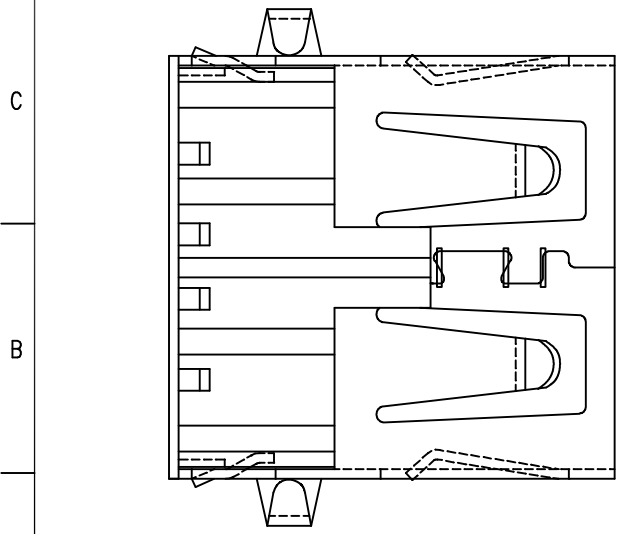


REV.	ECN.NO.	APPD.
A0	/	/



规格说明: Specifications:
 电气特性: Electrical:
 1. 额定电流: Current Rating
 1.5A/contact terminal
 2. 额定电压: Voltage Rating
 30 DC
 3. 接触阻抗: Contact Resistance
 30 milliohms MAX
 4. 耐电压: Dielectric Withstanding Voltage:
 500 V AC AT Sea Level
 5. 绝缘阻抗: Insulation Resistance:
 1000MEGA ohms MIN
 原材料: Material:
 1. 塑胶: Housing:
 High Temperature Thermoplastics,
 PBT/LCP BLACK/WHITE
 2. 端子: Contact: Copper Alloy C2680
 3. 外壳: Shell: SPCC/COPPER ALLOY C2680
 电镀: Finish:
 1. 端子: Contact: Plated Gold In Mating Area;
 Tin On Solder Tails
 2. 外壳: Shell:
 Nickel Plating



TOLERANCE UNLESS OTHERWISE SPECIFIED	
.XXX ±0.10	.X' ±3'
.XX ±0.20	.XX' ±2'
.X ±0.30	



兆星精密电子 (深圳) 有限公司

APPROVED		PART NAME:	Type-A 母座 弯插			
CHECKED		PART No:	ZX-TYPEA-2-WCM4			C
DRAWN	Lin R	PROJECTION:	UNIT:	SCALE	SHEET	REV.
DATE	23/05/21		mm	1:1	10F1	A0