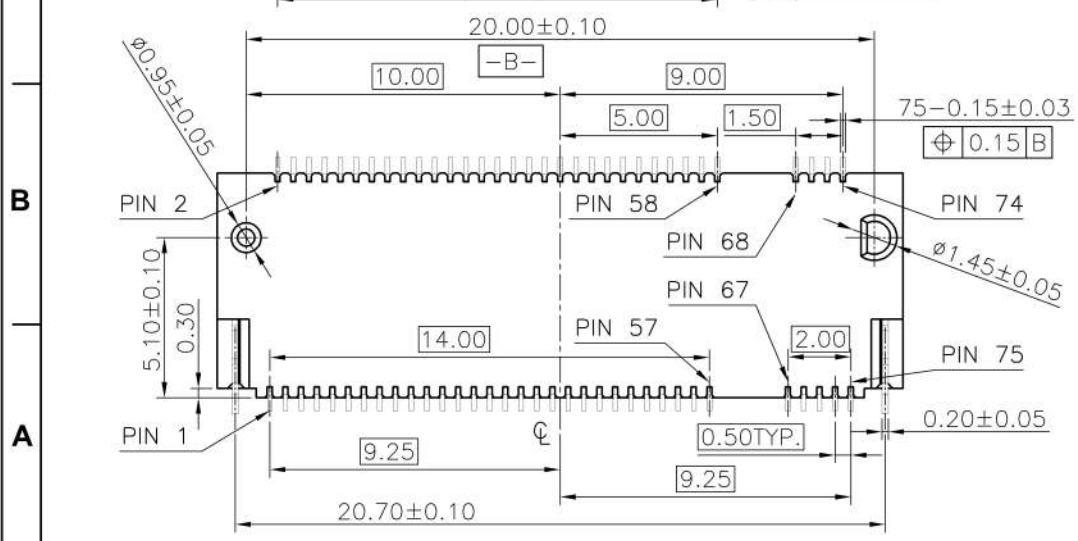
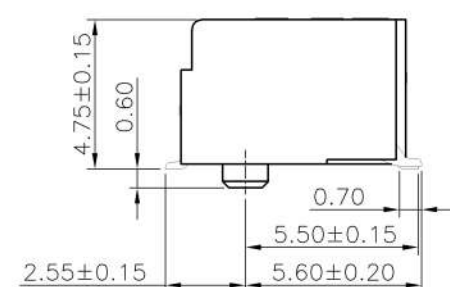
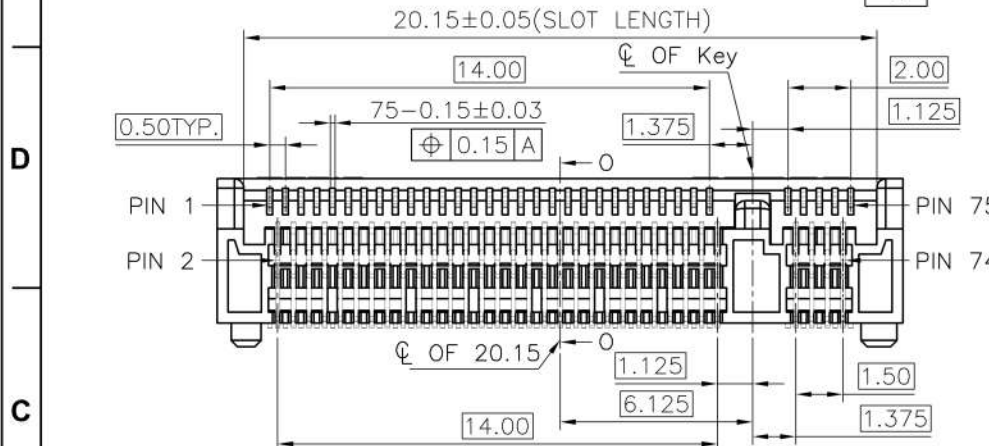
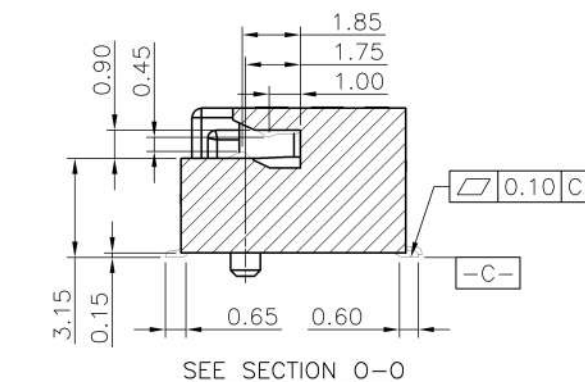
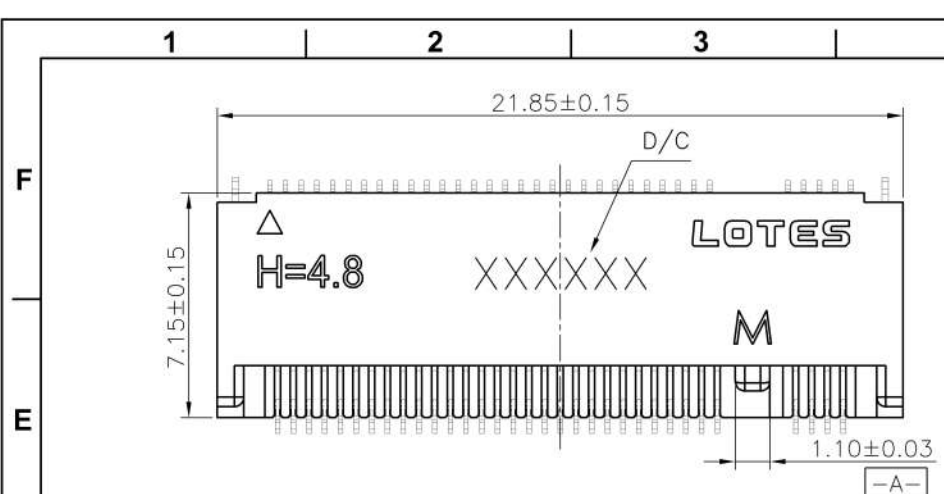


REV.	ECR/N NO./DESCRIPTION	DATE	DRAWN	CHECKED	APPROVE
1	SN15037	04/29'15	Lxh	Vito	Barney
1A	SN16***	03/21'16	Jinjin.Tu	Vito	Gear




GENERAL TOLERANCES UNLESS SPECIFIED		PART NO. SEE TABLE	LOTES		
X± 0.35	X.°± 3°			APPROVED BY Barney	TITLE 0.5MM PITCH M.2 H4.8 (KEY M)
.XX± 0.25	X.°± 2°				
.XXX± 0.15	.XX°± 1°	CHECKED BY Vito	DWG NO. AP-APCI0113		
CUSTOMER DRAWING		DRAWN BY Lxh			
SIZE A4	UNITS MM [INCH]	SHEET 1 / 5		SCALE 4:1	
			REV 1A		

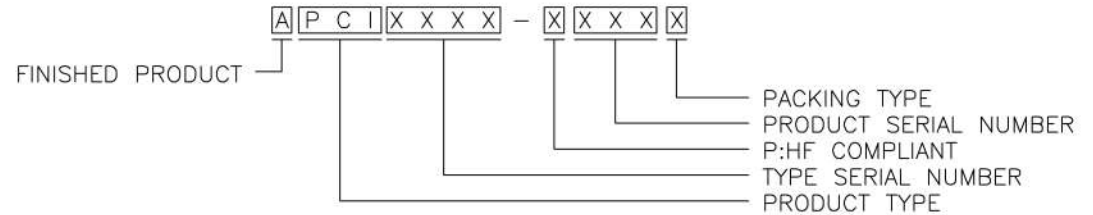
TABLE:

NO.	PART NO.	DESCRIPTION	DURABILITY
1	APCI0113-P001A	GOLD G/F ON CONTACT AREA	25 CYCLES
		GOLD G/F ON SOLDER AREA	
2	APCI0113-P002A	GOLD 10u" ON CONTACT AREA	25 CYCLES
		GOLD G/F ON SOLDER AREA	
3	APCI0113-P003A	GOLD 15u" ON CONTACT AREA	25 CYCLES
		GOLD G/F ON SOLDER AREA	
4	APCI0113-P004A	GOLD 30u" ON CONTACT AREA	60 CYCLES
		GOLD G/F ON SOLDER AREA	

Notes:

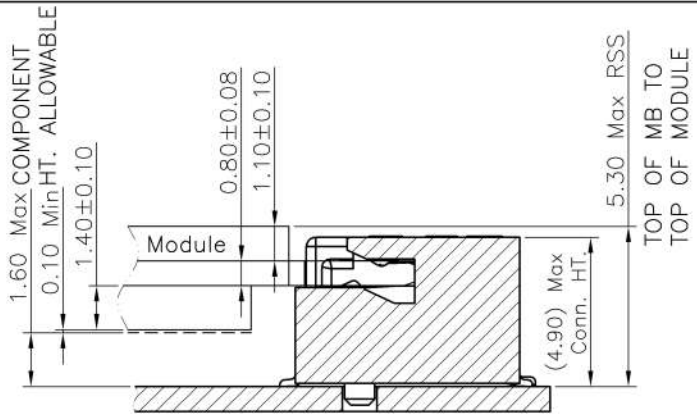
- MATERIAL SPECIFICATION:
 - HOUSING:LCP+40%GF,UL94V-0,COLOR:BLACK.
 - CONTACT:COPPER ALLOY.
 - PEG:STEEL.
- PLATING SPECIFICATION:
 - CONTACT:50u" MIN.NICKEL UNDER PLATING OVER ALL.PLATING ON SOLDER AREA:SEE TABLE
GOLD PLATING ON CONTACT AREA:SEE TABLE
 - PEG:50u" MIN. NICKEL UNDER PLATING OVER ALL.
80u" MIN. MATTE TIN PLATING ON SOLDER AREA.
- HF COMPLIANT, RoHS COMPLIANT.
- DATE CODE: XX XX XX
 DAY
 WEEK
 YEAR
- MECHANICAL PERFORMANCE:
 - DURABILITY: SEE TABLE
- ELECTRICAL PERFORMANCE:
 - CURRENT: 0.5A PER PIN.
 - LLCR: INITIAL 55mΩ MAX.;FINAL ΔLLCR=20mΩ MAX.
- IR REFLOW:
THE TEMPERATURE SHALL BE 260±5°C MAINTAINING 10±1 SECONDS.

8. PRODUCT NUMBER NOTE:

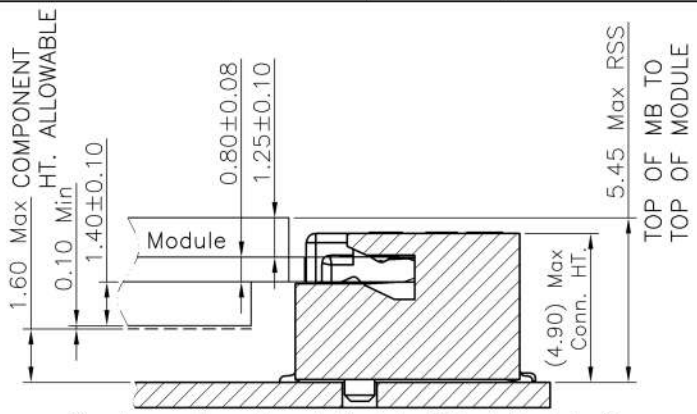


GENERAL TOLERANCES UNLESS SPECIFIED		PART NO.	LOTES			
SEE TABLE		SEE TABLE				
.X ± 0.35 X° ± 3°		APPROVED BY	TITLE			
.XX ± 0.25 X° ± 2°		Barney	0.5MM PITCH M.2 H4.8 (KEY M)			
.XXX ± 0.15 XX° ± 1°		CHECKED BY	DWG NO.			
CUSTOMER DRAWING		Vito	AP-APCI0113			
SIZE	UNITS	DRAWN BY		SHEET	SCALE	REV
A4	MM [INCH]	Lxh		2 / 5	4:1	1A

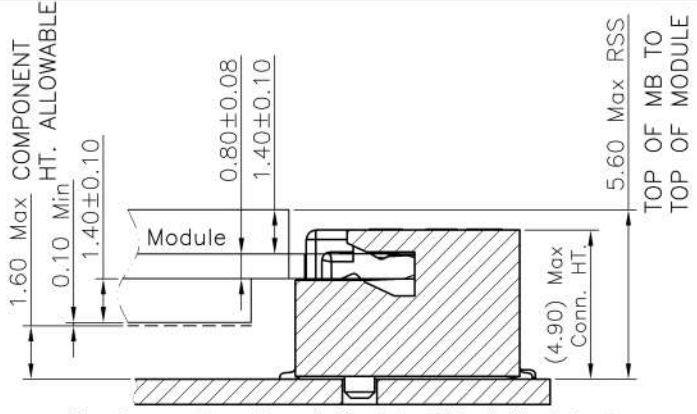
Assembly stack height schematic diagram



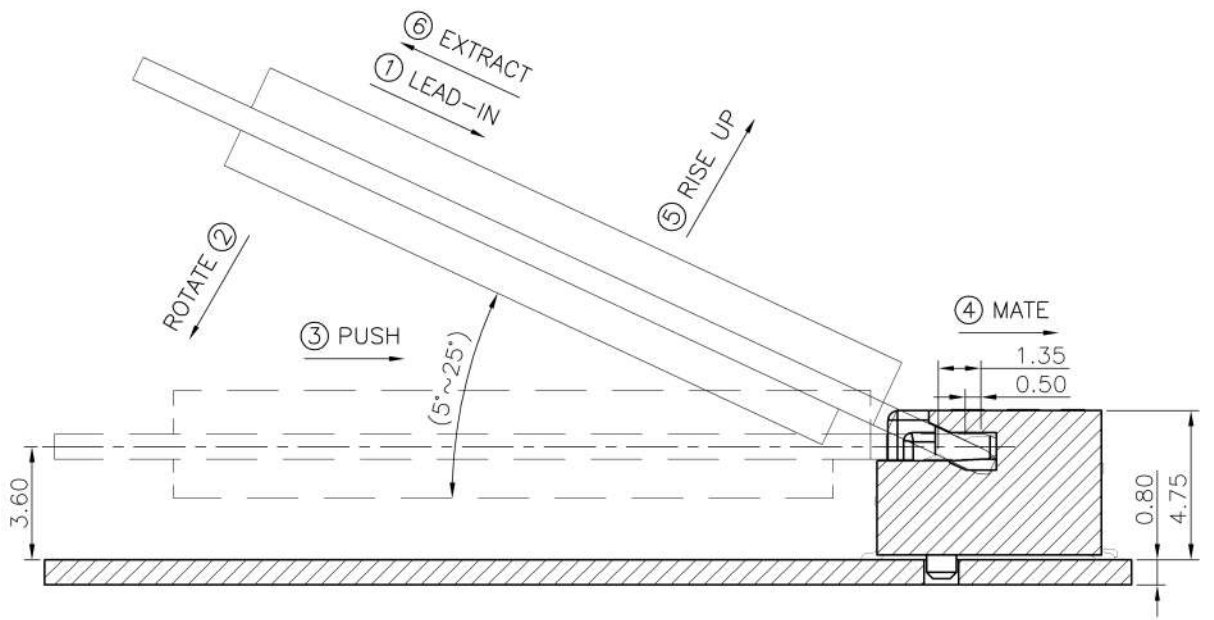
Stack-up Top Mount Double Sided Module for 1.20 max top-side component height



Stack-up Top Mount Double Sided Module for 1.35 max top-side component height



Stack-up Top Mount Double Sided Module for 1.50 max top-side component height




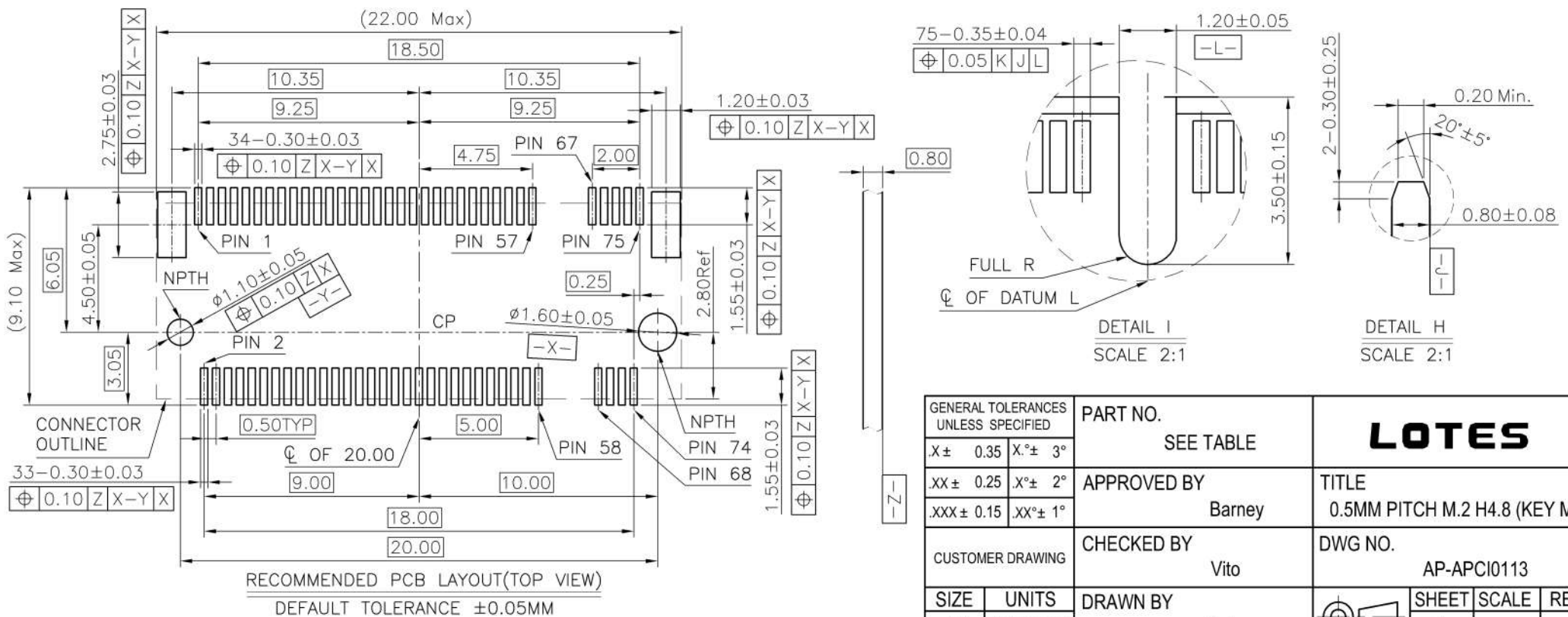
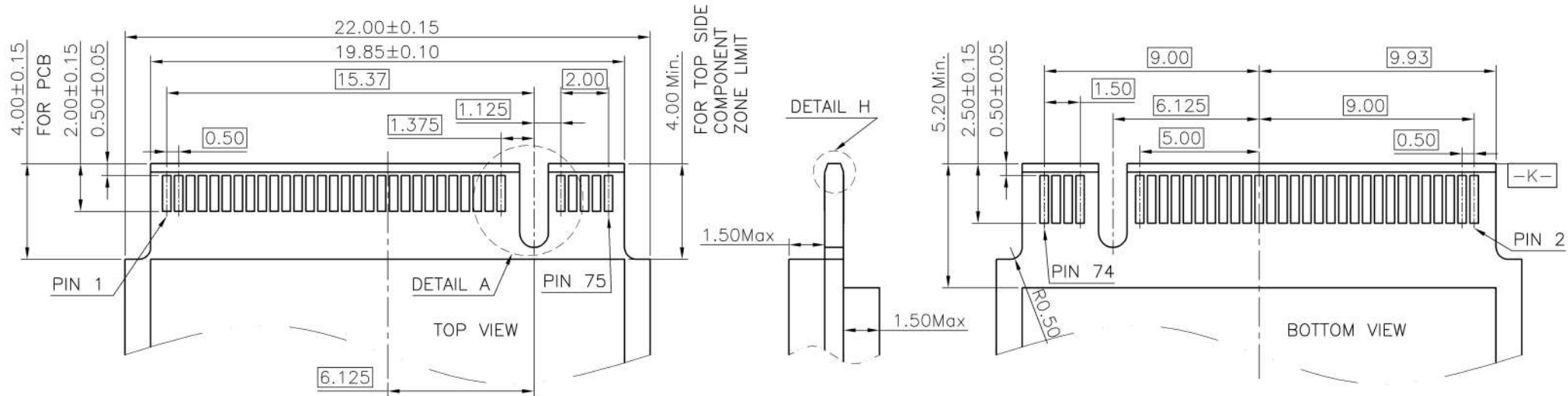
HOW TO MATE AND EXTRACT

MATE: ① → ④

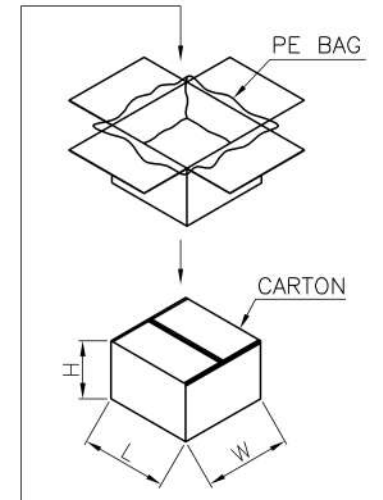
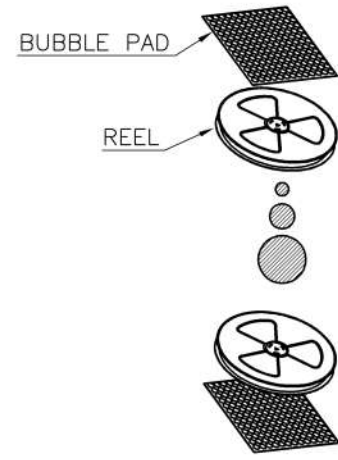
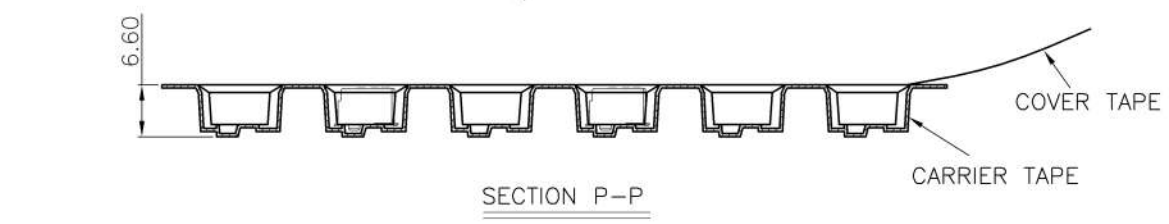
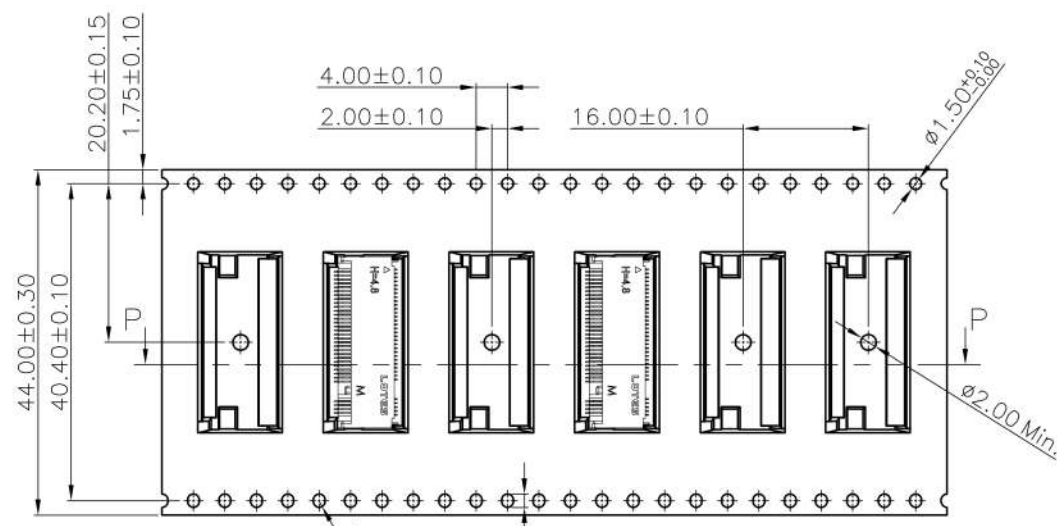
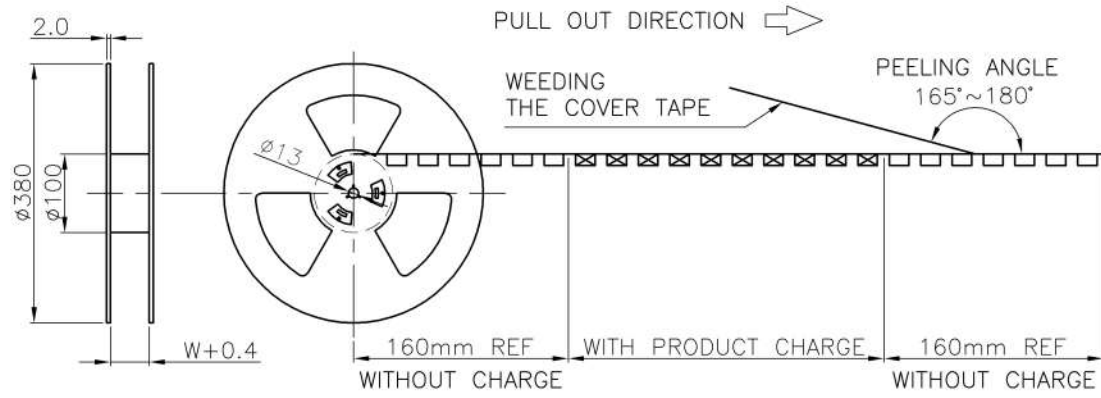
EXTRACT: ⑤ → ⑥

NOTE: Mating force will generate from step 3 to step 4.

GENERAL TOLERANCES UNLESS SPECIFIED		PART NO.	LOTES			
SEE TABLE		SEE TABLE				
X± 0.35	X.°± 3°	APPROVED BY	TITLE			
.XX± 0.25	X.°± 2°	Barney	0.5MM PITCH M.2 H4.8 (KEY M)			
.XXX± 0.15	XX°± 1°	CHECKED BY	DWG NO.			
CUSTOMER DRAWING		Vito	AP-APCI0113			
SIZE	UNITS	DRAWN BY		SHEET	SCALE	REV
A4	MM [INCH]	Lxh		3 / 5	4:1	1A



GENERAL TOLERANCES UNLESS SPECIFIED		PART NO.	LOTES		
X± 0.35	X.°± 3°	SEE TABLE	TITLE		
.XX± 0.25	X.°± 2°	APPROVED BY	0.5MM PITCH M.2 H4.8 (KEY M)		
.XXX± 0.15	XX°± 1°	Barney	DWG NO.		
CUSTOMER DRAWING	CHECKED BY	Vito	AP-APCI0113		
SIZE	UNITS	DRAWN BY	SHEET	SCALE	REV
A4	MM [INCH]	Lxh	4 / 5	4:1	1A



PULL OUT DIRECTION →

900	5400
PCS/REEL	PCS/CARTON

GENERAL TOLERANCES UNLESS SPECIFIED		PART NO. SEE TABLE	LOTES		
X± 0.35	X.°± 3°				
.XX± 0.25	X.°± 2°	APPROVED BY Barney	TITLE 0.5MM PITCH M.2 H4.8 (KEY M)		
.XXX± 0.15	.XX°± 1°	CHECKED BY Vito	DWG NO. AP-APCI0113		
SIZE A4	UNITS MM [INCH]	DRAWN BY Lxh	SHEET 5 / 5	SCALE 1:1	REV 1A
CUSTOMER DRAWING					