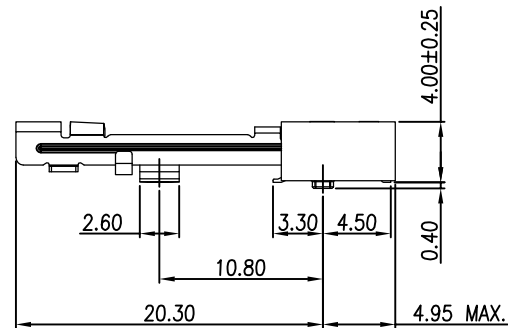
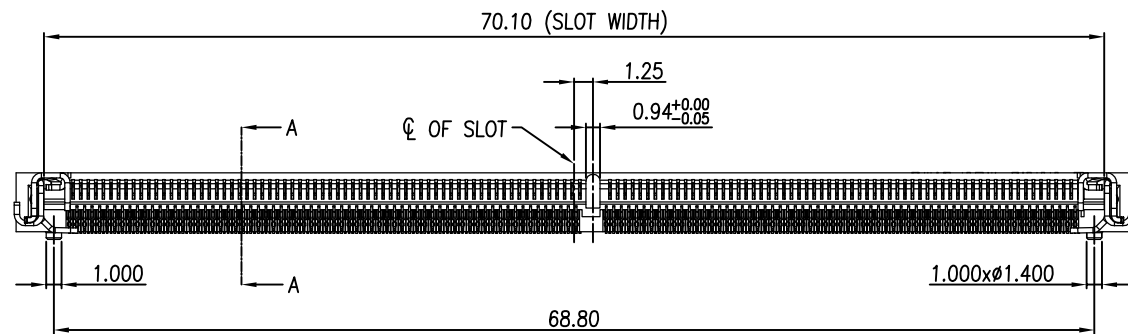
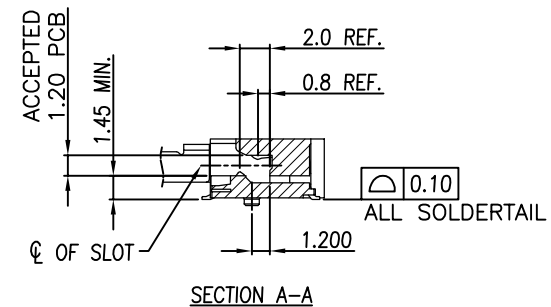
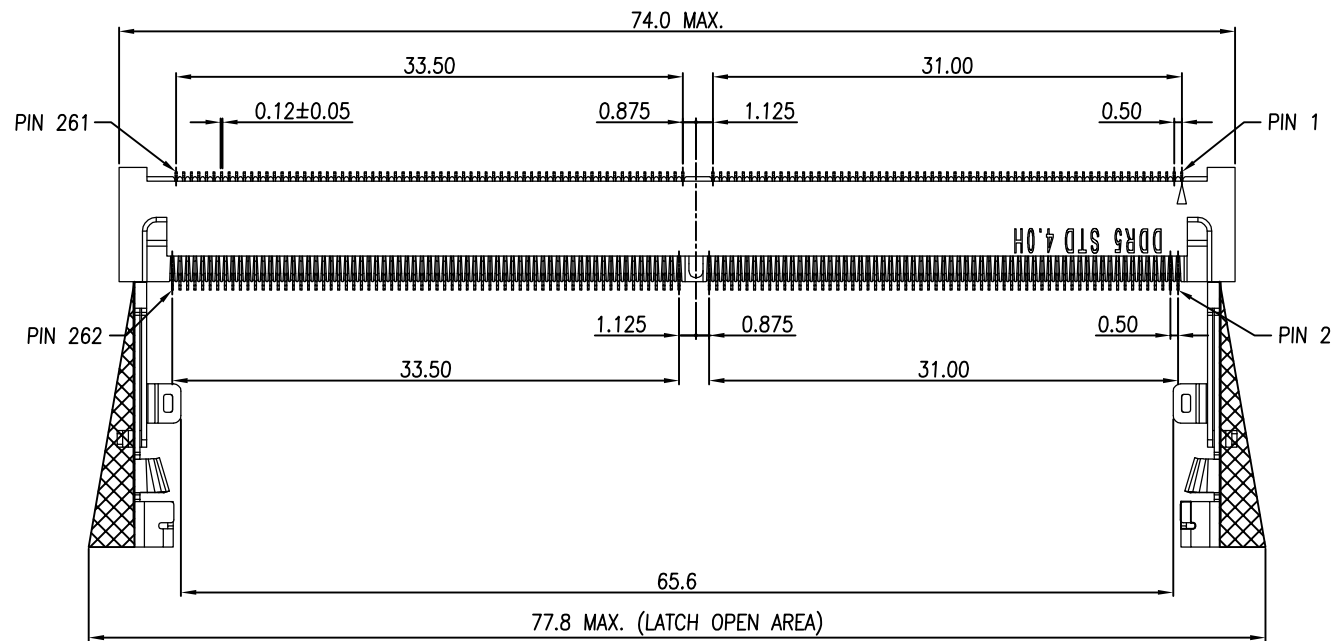


STANDARD ORIENTATION



				TOLERANCE		UMax 东莞市友贸实业有限公司 conn DONGGUAN UMAX ENTERPRISE LIMITED		TITLE: DDR5 SO DIMM, 0.50Pitch, 4.0H 262P, SMT TYPE					
				LINEAR	ANGLES			PART NO. 90415-40XXSX					
				X±0.40	X'±	APPD: Jason	MAT'L:	DWG NO. C-90415-40					
				.X±0.30	.X'±	CHKD: Schumi	FINISH:		UNITS	SCALE	SHEET	REV	
A0	E2501001	Lin xuejun	Aug,13,2025	.XX±0.20	.XX'±	DRWN: Schumi	Q'TY:		MM	1 : 1	1 OF 5	A0	
REV	ECN NO.	NAME	DATE	.XXX±0.10	.XXX'±								

NOTES:

1. MATERIAL :

- 1.1 HOUSING: LCP WITH 30% GF, UL94 V-0, BLACK COLOR,
- 1.2 CONTACT: COPPER ALLOY.
- 1.3 LATCH: STAINLESS STEEL.

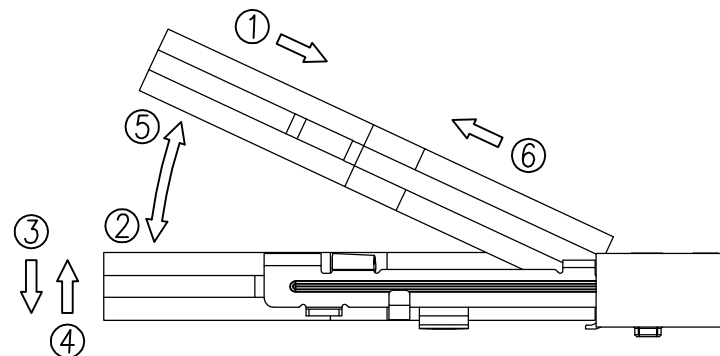
2. FINISH :

2.1 CONTACT

[SEE TABLE] GOLD PLATING ON THE CONTACT AREA.
 GOLD PLATING ON THE SOLDERING AREA.
 90u" NICKEL UNDERPLATING OVERALL.

2.2 LATCH

100u" MATTE-TIN PLATING ON THE SOLDERING AREA.
 50u" NICKEL UNDERPLATING OVERALL.



RECOMMENDED OPERATING

MATING: ① INSERTING(25°) → ② ROTATING → ③ FIXED
 UNMATING: ④ UNFIXED → ⑤ ROTATING → ⑥ WITHDRAWING

PART NO.:

90415 - 40 XX X X

40: 4.0mm HEIGHT

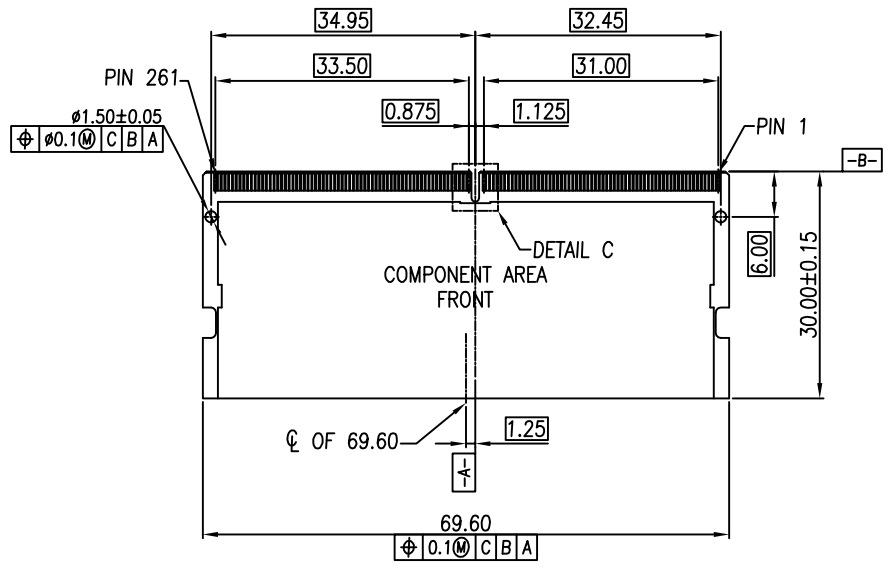
CONTACT AREA PLATING

- 01: 1u" Au
- 15: 15u" Au
- 30: 30u" Au

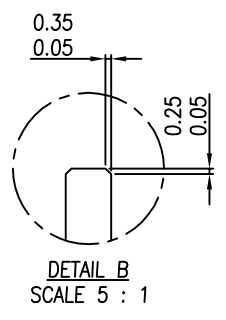
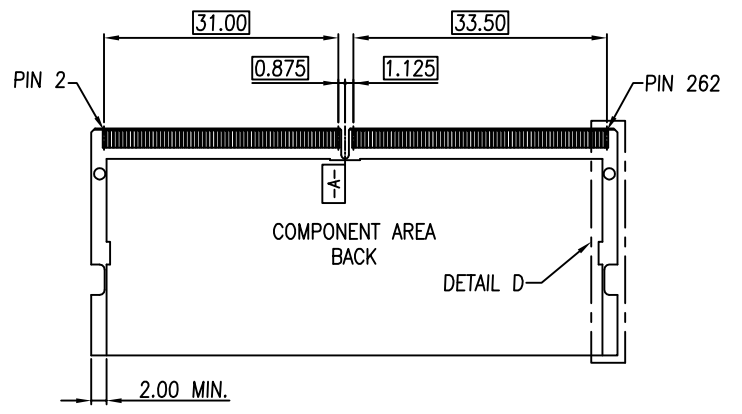
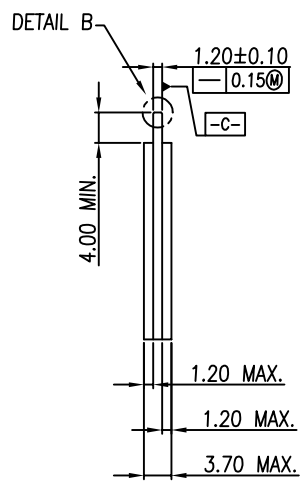
PACKING OPTIONS
 R: TAPE & REEL

ORIENTATION
 S: STANDARD
 R: REVERSE

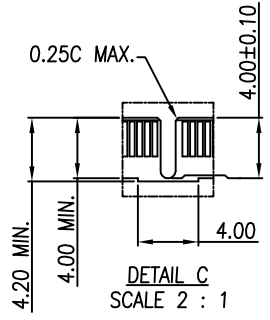
TOLERANCE		UMax 东莞市友贸实业有限公司 DONGGUAN UMAX ENTERPRISE LIMITED		TITLE: DDR5 SO DIMM, 0.50Pitch, 4.0H 262P, SMT TYPE					
LINEAR	ANGLES			PART NO. 90415-40XXXX					
X.±	X'.±	APPD:	Jason	MAT'L:	DWG NO. C-90415-40				
.X±	.X'±	CHKD:	Schumi	FINISH:		UNITS	SCALE	SHEET	REV
.XX±	.XX'±	DRWN:	Schumi	Q'TY:		MM	1 : 1	3 OF 5	A0
.XXX±	.XXX'±				CUSTOMER				



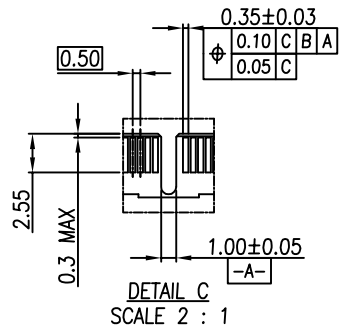
RECOMMENDED CRAD LAYOUT



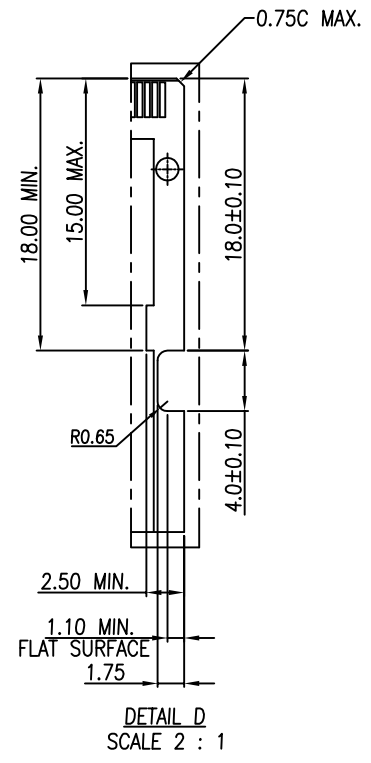
DETAIL B
SCALE 5 : 1



DETAIL C
SCALE 2 : 1



DETAIL C
SCALE 2 : 1

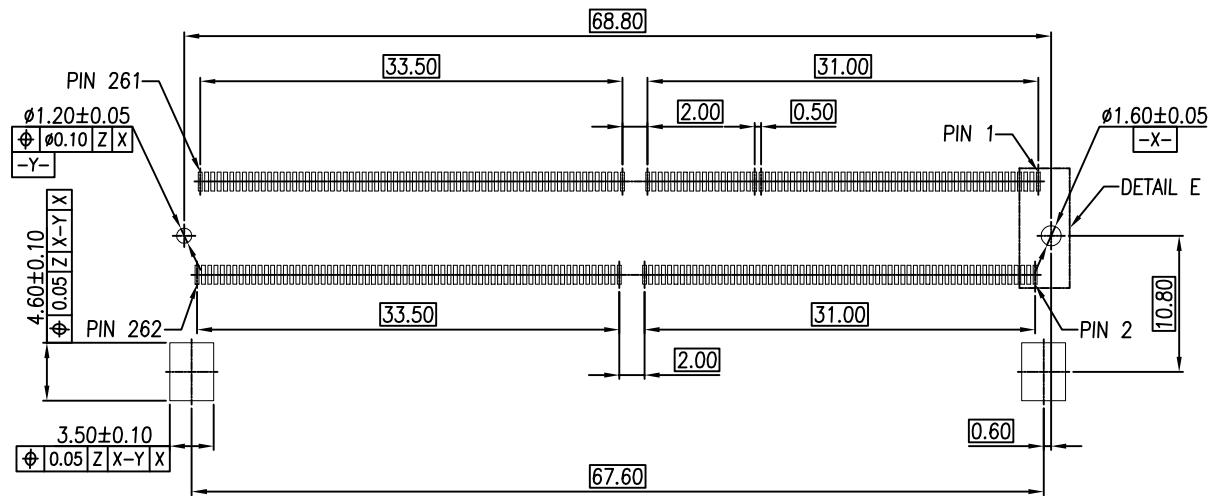


DETAIL D
SCALE 2 : 1

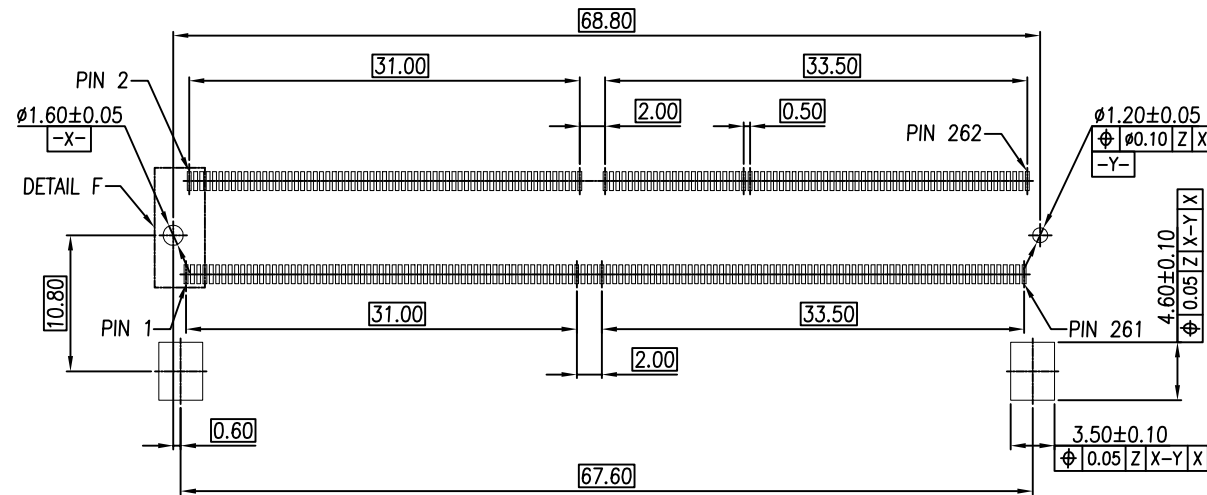
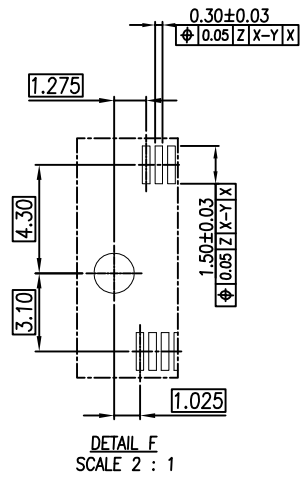
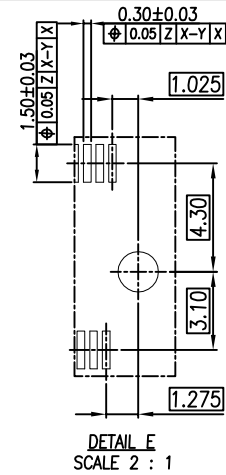
REV	SEE SHEET 1	NAME	DATE
	ECN NO.		

TOLERANCE		UMax 东莞市友贸实业有限公司 conn DONGGUAN UMAX ENTERPRISE LIMITED	
LINEAR	ANGLES	APPD:	JASON
X±0.40	X'±	MAT'L:	
.X±0.30	.X'±	CHKD:	Schumi
.XX±0.20	.XX'±	FINISH:	
.XXX±0.10	.XXX'±	DRWN:	Schumi
		Q'TY:	

TITLE:		DDR5 SO DIMM, 0.50Pitch, 4.0H 262P, SMT TYPE			
PART NO.		90415-40XXXX			
DWG NO.		C-90415-40			
UNITS	SCALE	SHEET	REV		
				MM	1 : 1



RECOMMENDED PCB LAYOUT
STANDARD ORIENTATION
△ (-Z-): PCB SURFACE



RECOMMENDED PCB LAYOUT
REVERSE ORIENTATION
△ (-Z-): PCB SURFACE

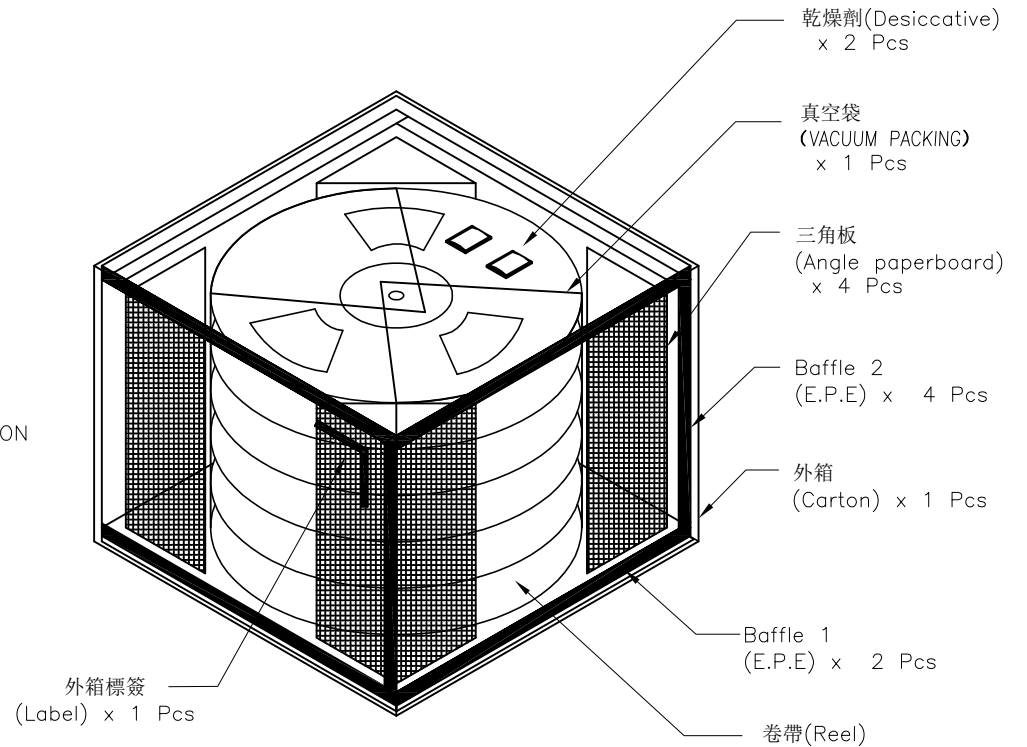
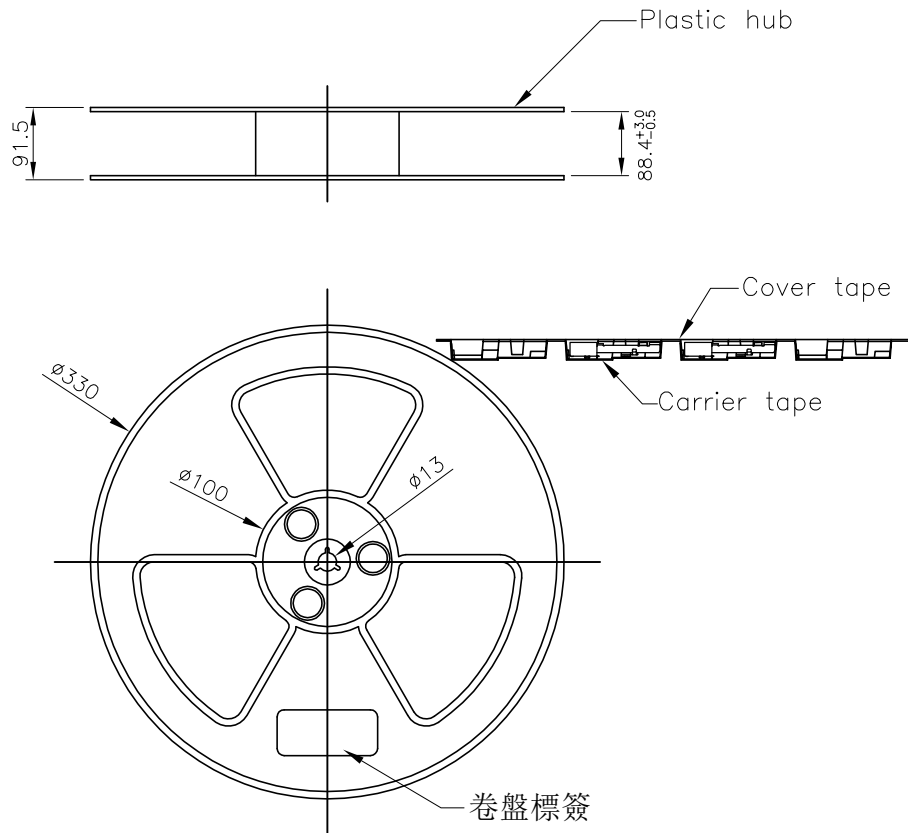
TOLERANCE		UMax 东莞市友贸实业有限公司 conn DONGGUAN UMAX ENTERPRISE LIMITED		TITLE: DDR5 SO DIMM, 0.50Pitch, 4.0H 262P, SMT TYPE	
LINEAR	ANGLES	APPD:	MAT'L:	PART NO. 90415-40XXXX	
X.±	X'±	Jason		DWG NO. C-90415-40	
.X±	.X'±	CHKD: Schumi	FINISH:	UNITS SCALE SHEET REV	
.XX±	.XX'±	DRWN: Schumi	Q'TY:	MM 1 : 1	5 OF 5 A0
.XXX±	.XXX'±				

SEE SHEET 1			
REV	ECN NO.	NAME	DATE

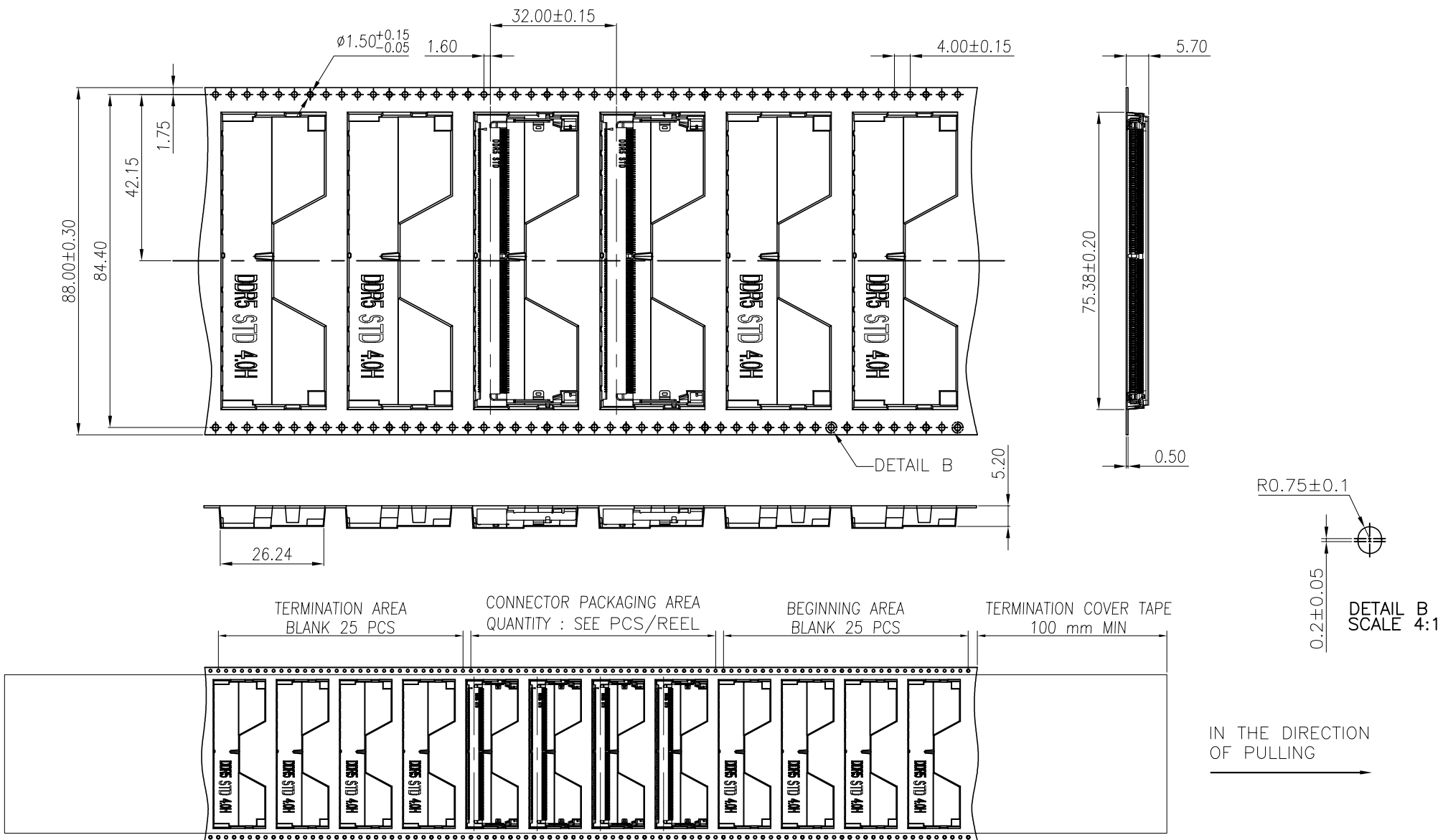
NOTE:

1. REEL MATERIAL : PS; COLOR: BLUE
2. CARRIER MATERIAL : PS; COLOR: BLACK
3. COVER TAPE MATERIAL : PS; COLOR: TRANSPARENT
4. COVER TAPE REEL STRENGTH : 13"
5. QUANTITY : SEE TABLE
6. Carton : 380(L) * 380(W) * 300(H) mm

PCS/TAPE	REELS/BOX	PCS/BOX	GROSS WEIGHT	NET WEIGHT
280	3	840	XXX	XXX



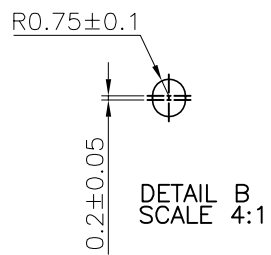
				TOLERANCE		UMax 东莞市友贸实业有限公司 conn DONGGUAN UMAX ENTERPRISE LIMITED		TITLE: DDR5 SODIMM 4.0H CONNECTOR PACKAGING SPECIFICATION				
				LINEAR	ANGLES			PART NO. 90415-Packing Specification				
				X.±	X'.±	APPD: Jason	MAT'L:	DWG NO. 9041504001				
				.X±	.X'±	CHKD: Schumi	FINISH:		UNITS	SCALE	SHEET	REV
REV	ECN NO.	NAME	DATE	.XXX±	.XXX'±	DRWN: Lei Songping	Q'TY:		MM	1 : 1	1 OF 3	A



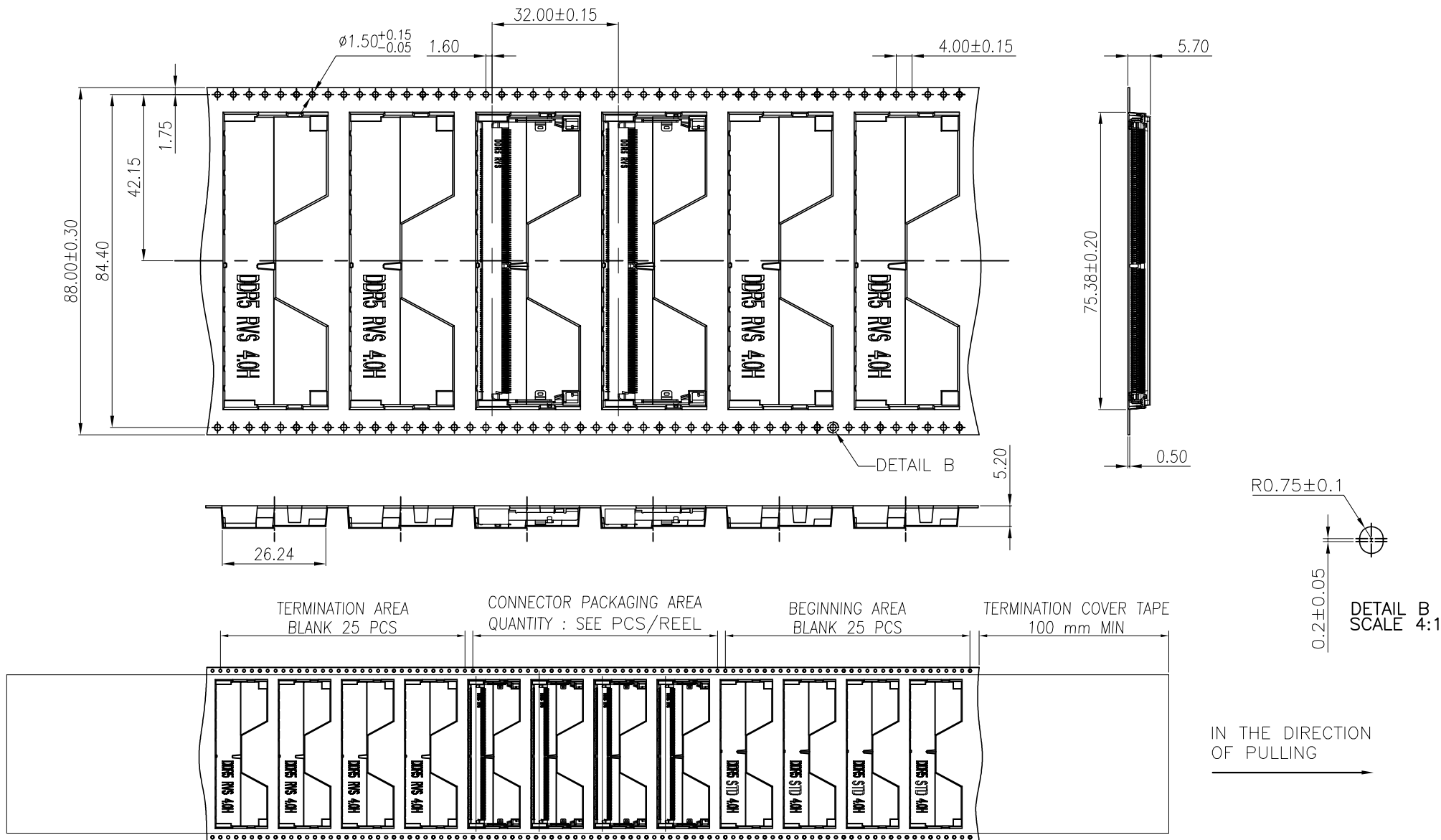
TERMINATION AREA BLANK 25 PCS CONNECTOR PACKAGING AREA QUANTITY : SEE PCS/REEL BEGINNING AREA BLANK 25 PCS TERMINATION COVER TAPE 100 mm MIN

COMPOSITION OF PACKAGING

IN THE DIRECTION OF PULLING



				TOLERANCE		UMax conn 东莞市友贸实业有限公司 DONGGUAN UMAX ENTERPRISE LIMITED		TITLE: DDR5 SODIMM STD 4.0H CONNECTOR PACKAGING SPECIFICATION			
				LINEAR	ANGLES			PART NO. STD-Packing Specification			
SEE SHEET 1				X.±	X'.±	APPD: Jason	MAT'L:	DWG NO. 9041504001			
REV	ECN NO.	NAME	DATE	.XX±0.20	.XX'±	CHKD: Schumi	FINISH:	UNITS	SCALE	SHEET	REV
				.XXX±	.XXX'±	DRWN: Lei Songping	Q'TY:	MM	1 : 1	2 OF 3	A



COMPOSITION OF PACKAGING

IN THE DIRECTION OF PULLING

DETAIL B
SCALE 4:1

				TOLERANCE		UMax 东莞市友贸实业有限公司 conn DONGGUAN UMAX ENTERPRISE LIMITED		TITLE: DDR5 SODIMM RVS 4.0H CONNECTOR PACKAGING SPECIFICATION					
				LINEAR	ANGLES			PART NO. RVS-Packing Specification					
SEE SHEET 1				X.±	X'.±	APPD: Jason	MAT'L:	DWG NO. 9041504001					
REV	ECN NO.	NAME	DATE	.XX±0.20	.XX'±	CHKD: Schumi	FINISH:			UNITS	SCALE	SHEET	REV
				.XXX±	.XXX'±	DRWN: Lei Songping	Q'TY:			MM	1 : 1	3 OF 3	A