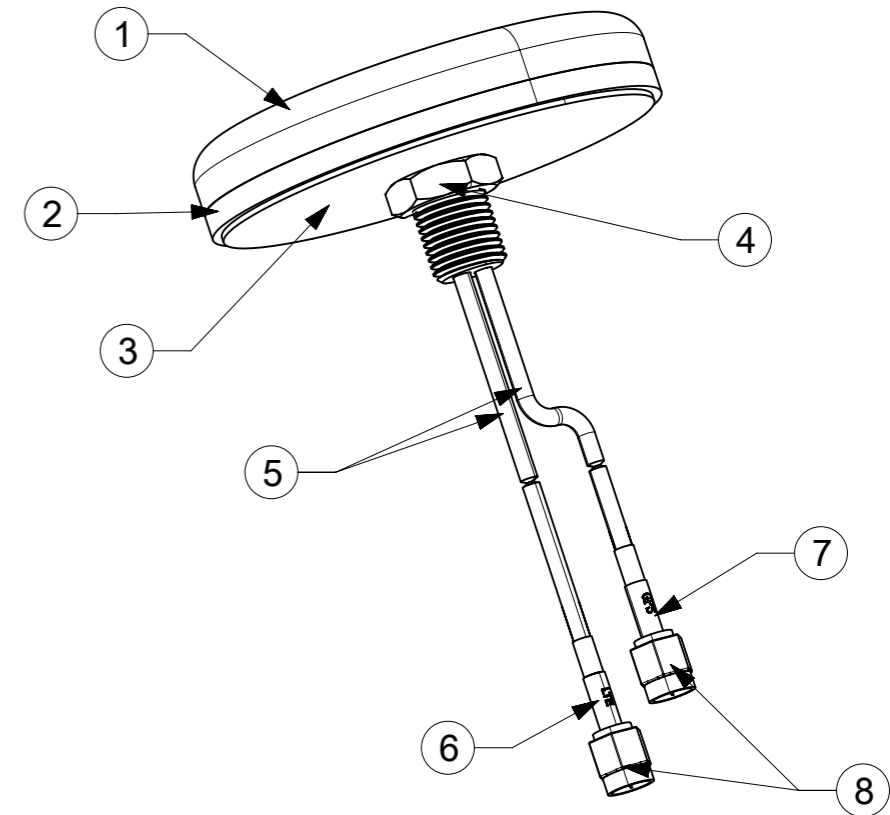
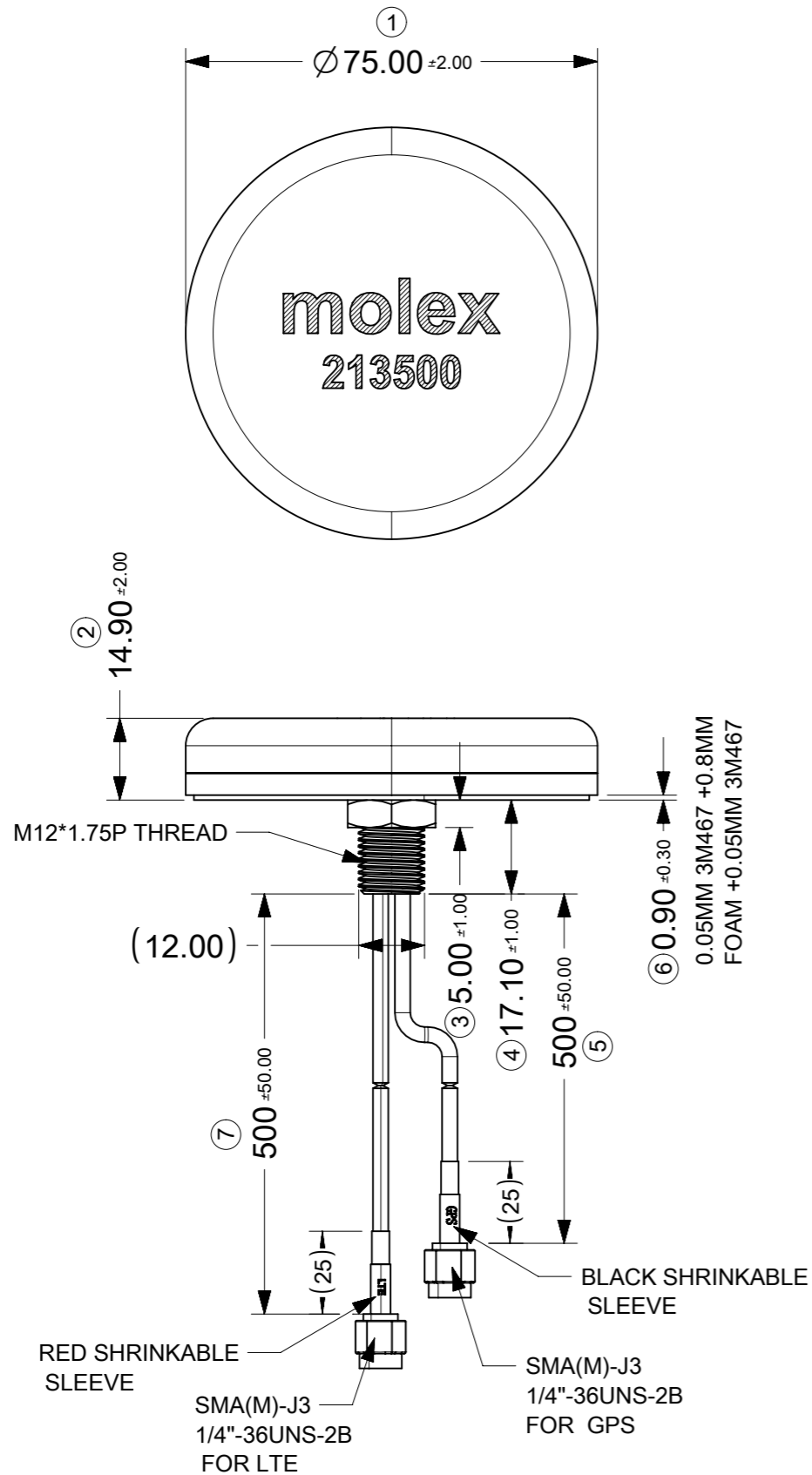


Notes

1. MATERIAL: REFER TO TABLES.
2. PACKAGE SPEC. REFER TO PK OF 2135000500.
3. PRODUCT SPEC. REFER TO PS OF 2135000500.
4. APPLICATION SPEC. REFER TO AS OF 2135000500.

REV	CHANGE HISTORY	DATE
A	FIRST RELEASE	20191016
B	ADD NI COATING ON M12 NUT	20230306



ITEM	COMPONENTS	MATERIAL	FINISH	QTY
1	HOUSING TOP	ABS757	BLACK	1
2	HOUSING BOTTOM WITH M12*1.75P THREAD	ABS757	BLACK	1
3	ADHESIVE+FOAM+ADHESIVE	3M467+FOAM+3M467	LINER YELLOW	1
4	M12 * 1.75P NUT L5 MM	BRASS H62	SILVER WHITE	1
5	RF CABLE	RG174 ATTENUATION:1.3dB/m	BLACK	2
6	HEAT SHRINK TUBE FOR LTE	EVA	RED	1
7	HEAT SHRINK TUBE FOR GPS	EVA	BLACK	1
8	SMA(M)-J3-ST	BRASS H62+PTFE	GOLD	2

SYMBOLS		THIS DRAWING CONTAINS INFORMATION THAT IS PROPRIETARY TO MOLEX ELECTRONIC TECHNOLOGIES, LLC AND SHOULD NOT BE USED WITHOUT WRITTEN PERMISSION		CURRENT REV DESC:		molex		
$\nabla = 0$	mm	DIMENSION UNITS	SCALE	EC NO: 741100		LTE/GPS 2-IN-1 ANTENNA_SCREW MOUNT		
$\nabla = 0$	GENERAL TOLERANCES (UNLESS SPECIFIED)			DRWN: CZHOU05	2023/03/06			
$\nabla = 0$	ANGULAR TOL		± °	CHK'D: HORACM1	2024/06/14	PRODUCT CUSTOMER DRAWING		
$\nabla = 0$	4 PLACES	±		APPR: HORACM1	2024/06/14			
$\nabla = 0$	3 PLACES	±		INITIAL REVISION:		DOCUMENT NUMBER: 2135000500		
$\nabla = 0$	2 PLACES	±		DRWN: CZHOU05	2019/10/17			
$\nabla = 0$	1 PLACE	±		APPR: KCHENG06	2019/11/05	MATERIAL NUMBER: SEE TABLES		
$\nabla = 0$	0 PLACES	±		THIRD ANGLE PROJECTION				
$\nabla = 0$	DRAFT WHERE APPLICABLE MUST REMAIN WITHIN DIMENSIONS							