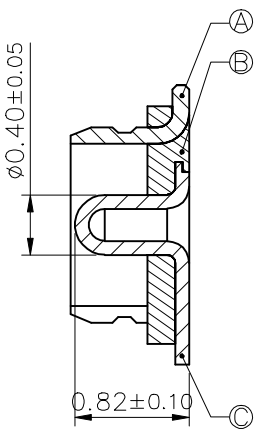
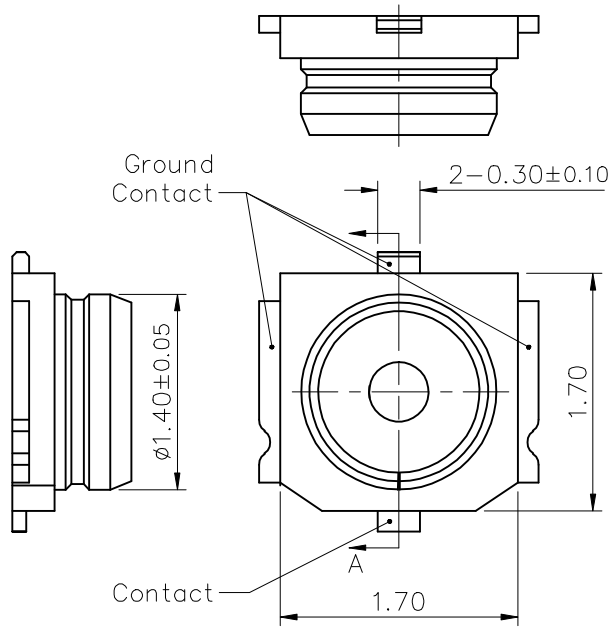
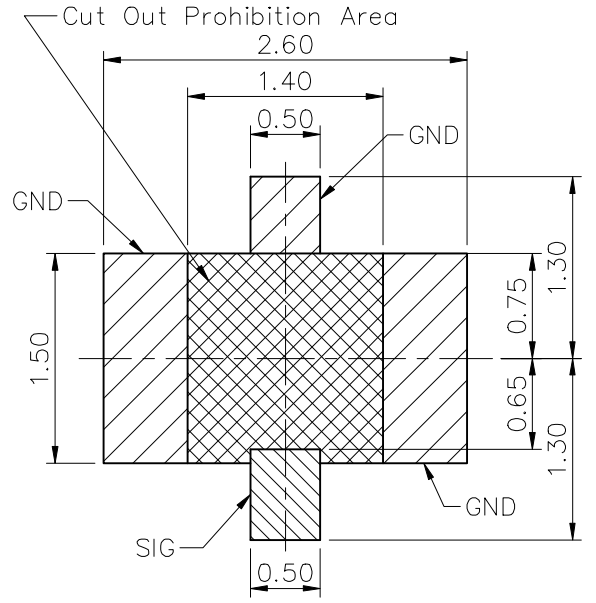
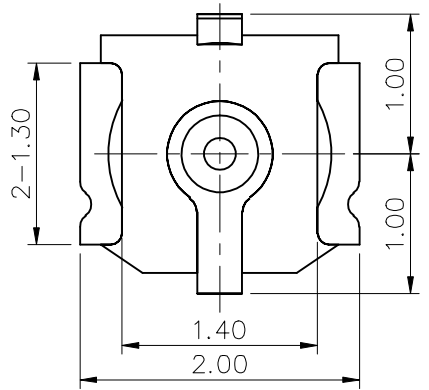


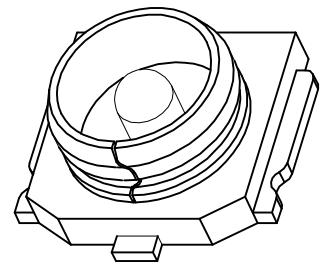
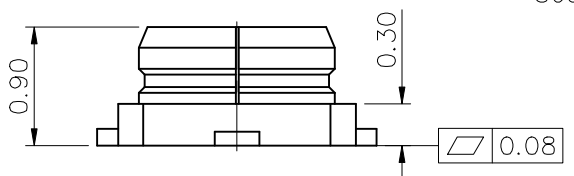
Rev.	ECN Number	Description	Date	Drawn	Checkd	Approved



Section A-A
Scale 1:1



RECOMMENDED P.C.B. LAYOUT
TOP VIEW(TOLERANCE:±0.05)



- NOTES:
- 1.1 Rated Voltage **60V AC**
 - 1.2 Frequency Range **0~6GHz**
 - 1.3 Impedance **50Ω**
 - 1.4 Operating Temperature **-40℃~+90℃**
 - 2.1 Voltage Standing Wave Ratio(VSWR)
 - 1.3 max. at 0~3GHz
 - 1.4 max. at 3~6GHz
 - 2.2 Durability **30 cycles**
 - 3.1 Packing **tape & reel 3000Pcs/Reel (Φ178mm)**

PROD. NO.	C	CONTACT	1	COPPER ALLOY/GOLD PLATED OVER Ni
	B	HOUSING	1	High Temp. Plastic UL94V-0/BLACK
	A	SHELL	1	COPPER ALLOY/Au PLATED OVER Ni
	ITEM	PART NAME	Q'TY	MATERIAL/FINISH

BOM LIST

 深圳市玥达电子科技有限公司 Shenzhen Yueda Electronic Technology Co.,Ltd.	GENERAL TOLERANCE		SCALE: 1:1	DRAWN	DATE	DWG. NO.	TITLE CUSTOMER DRAWING H0.90mm,4个焊脚 外壳镀金	REV. A	
	XX. ±0.50	X. ±0.35	X' ±2.0'	UNIT: mm	CHECK	DATE		PARTS NO.(INTENDED USE) YDC-LCSP-03	SHEET 1:1
	.X ±0.25	.X' ±1.0'	.XX ±0.5'	SIZE: A4	APPROVE	DATE			