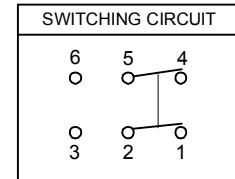
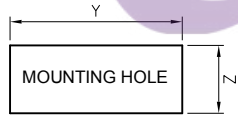


1. 电路 CIRCUIT: ON/OFF
2. 快插端子 QUICK CONNECTOR TYPE
3. 额定值 RATING: 16A 125/250VAC 3/4HP(CUL)
16(4)A 250V~T125/55(NEMKO/ENEC17/CQC)
10(2)A 250V~T125/55(NEMKO/ENEC17/CQC)
20A 250V~T125/55(CQC)
4. 柄的颜色 ACTUATOR COLOR: 黑色 BLACK
5. 基座的颜色 HOUSING COLOR: 黑色 BLACK
6. 柄的印字形式 ACTUATOR PRINTING: " 1/2 "白色 WHITE COLOR
7. 所有部件均使用环保材料
ALL MATERIALS USING MEET THE RoHS DIRECTIVE
8. "O"表示关键尺寸 DENOTES CRITICAL DIMENSIONS

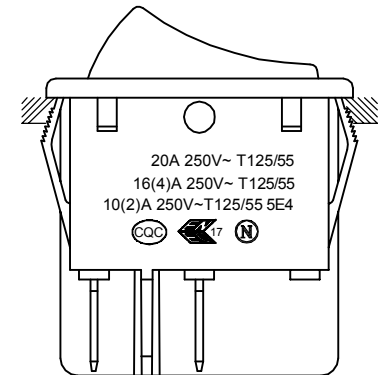
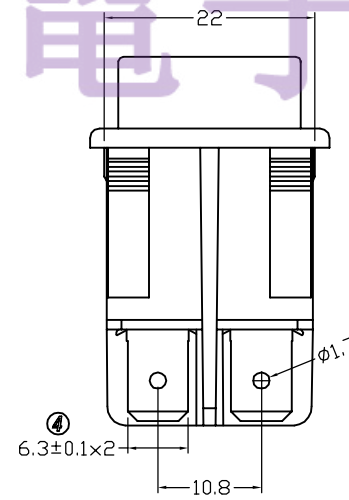
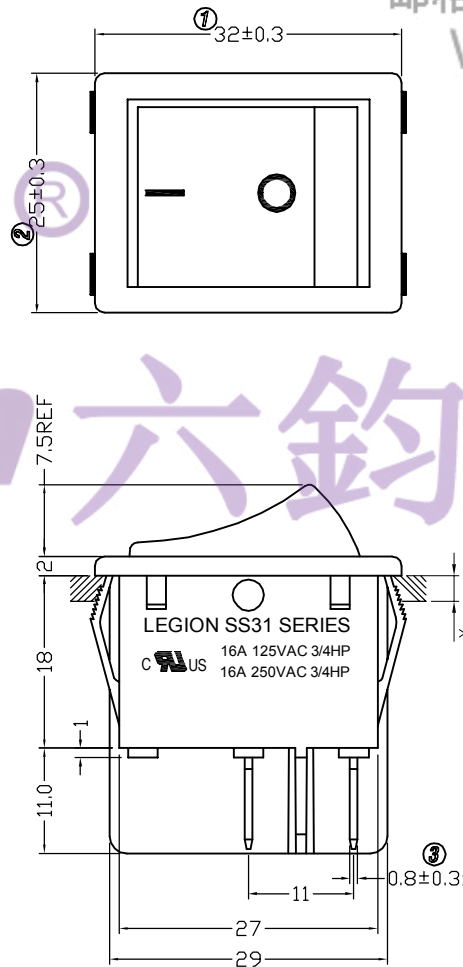
电话 : 0769-82310511-867
 邮箱 : hooya89@hooya.hk
 V : hooya89



legion 六鈞電子



| panel thickness.X | Dim.Y | Dim.Z |
|-------------------|-------------|-------------|
| 0.75 to 1.25mm | 30.0+0/-0.1 | 22.0+0.1/-0 |
| 1.25 to 2mm | 30.2+0.1/-0 | 22.0+0.1/-0 |
| 2 to 3mm | 30.5+0/-0.1 | 22.0+0.1/-0 |



| NO | DESCRIPTION | NO | DESCRIPTION | DIMENSIONAL TOLERANCES | | APPROVED | CHECKED | DESIGN | DRAWN | ALL SIZE ARE IN | | DRAWING NO. | REV. |
|----|-------------|----|-------------|------------------------|-----------|--|---------|--------|------------|-------------------|-------|-------------|------|
| | | | | RANGE | TOLERANCE | | | | | MM | NO | | |
| | | | | X | ±0.30 | | | | LMC | | | | |
| | | | | X.X | ±0.20 | | | | 2019.05.20 | | | | |
| | | | | X.XX | ±0.10 | | | | | | | | |
| | | | | ANGLES | ±1' | LEGION ELECTRONIC & HARDWARE CO., LTD. | | | | SS31-BBIWQ-RD40-E | ***** | A0 | |