

Microchip	Filter specification	TFS1542D	1/5
------------------	-----------------------------	-----------------	------------

Measurement condition

Ambient temperature T_A :	23	°C
Input power level:	0	dBm
Terminating impedance:		
Input:	50	Ω
Output:	50	Ω

Characteristics

Remark:

The maximum attenuation in the passband is defined as the insertion loss a_e . The nominal frequency f_N is fixed at 1542.5 MHz without any tolerance or limit. The values of absolute attenuation a_{abs} are guaranteed for the whole operating temperature range. The frequency shift of the filter in the operating temperature range is included in the production tolerance scheme.

D a t a		typ. value		tolerance / limit		
Insertion loss	a_e	1.8	dB	max.	4.0	dB
Nominal frequency	f_N	-			1542.5	MHz
Passband	PB	-		f_N	\pm	17.5 MHz
Passband variation		1.0	dB	max.	2.0	dB
Absolute attenuation	a_{abs}					
0.3 MHz ... 1400 MHz		34	dB	min.	30	dB
1400 MHz ... 1500 MHz		37	dB	min.	25	dB
1585 MHz ... 1610 MHz		45	dB	min.	10	dB
1610 MHz ... 2500 MHz		37	dB	min.	30	dB
2500 MHz ... 4000 MHz		35	dB	min.	25	dB
4000 MHz ... 6000 MHz		35	dB	min.	10	dB
Group delay ripple						
1525 MHz ... 1560 MHz		13	ns	max.	35	ns
Group delay variation (unit to unit)	*)	+/-3	ns	max.	+/-6	ns
Return loss within PB		10	dB	min.	8	dB
Input power level in PB		-		max.	10	dBm
Operating temperature range	OTR				-40 °C ... +85 °C	
Storage temperature range					-55 °C ... +125 °C	
Temperature coefficient of frequency	$TC_f^{**})$	-41	ppm/K			

*) measured at: f_N , $f_N + 17.5$ MHz, $f_N - 17.5$ MHz

**) $\Delta f = TC_f(T - T_A)f_N$

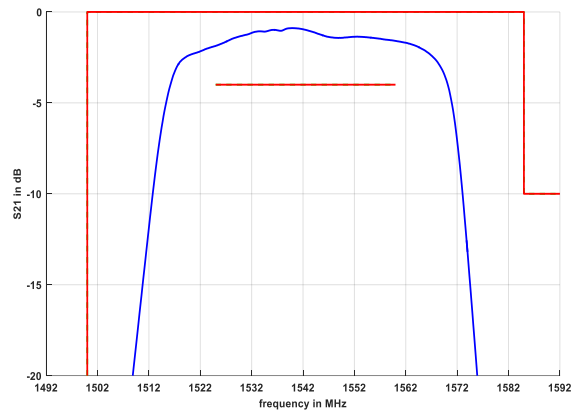
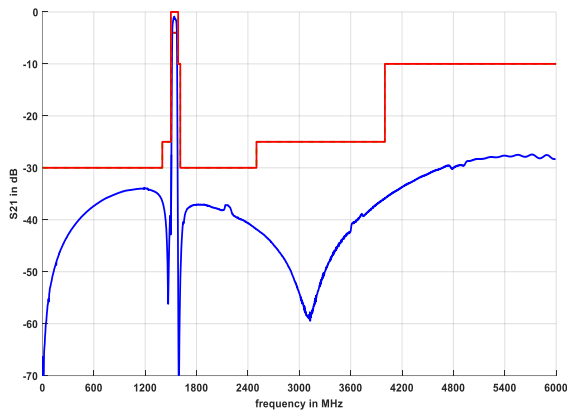
Generated:

Checked / Approved:

Microchip Frequency Technology GmbH
Potsdamer Straße 18
D 14 513 TELTOW / Germany
Tel: (+49) 3328 4784-0 / Fax: (+49) 3328 4784-30

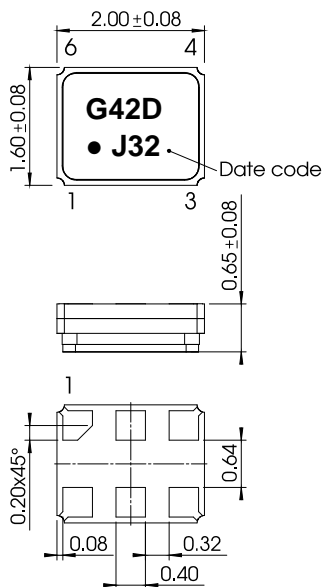
Microchip Frequency Technology GmbH reserves the right to make changes to the product(s) and/or information contained herein without notice. No liability is assumed as a result of their use or application. No rights under any patent accompany the sale of any such product(s) or information.

Filter characteristic



Construction and pin connection

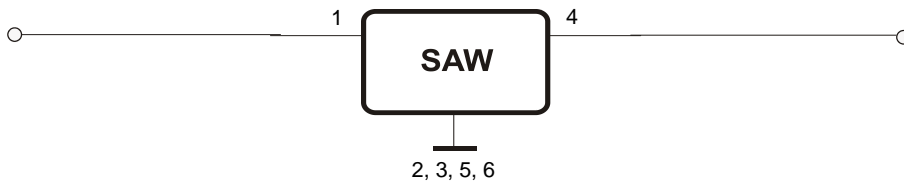
(All dimensions in mm)



- 1 Input
- 2 Ground
- 3 Ground
- 4 Output
- 5 Ground
- 6 Ground

Date code: Year + week
 J 2017
 K 2018
 L 2019
 ...

50 Ω Test circuit



Microchip Frequency Technology GmbH
 Potsdamer Straße 18
 D 14 513 TELTOW / Germany
 Tel: (+49) 3328 4784-0 / Fax: (+49) 3328 4784-30

Microchip Frequency Technology GmbH reserves the right to make changes to the product(s) and/or information contained herein without notice. No liability is assumed as a result of their use or application. No rights under any patent accompany the sale of any such product(s) or information.

Stability characteristics, reliability

After the following tests the filter shall meet the whole specification:

1. Shock: 500 g, 1 ms, half sine wave, 3 shocks each plane;
DIN IEC 60068 T2 - 27
2. Vibration: 10 Hz to 2000 Hz, 0.35 mm or 5 g respectively, 1 octave per min, 10 cycles per plane, 3 planes; DIN IEC 60068 T2 - 6
3. Change of temperature: -55 °C to 125 °C / 15 min. each / 100 cycles
DIN IEC 60068 part 2 – 14 Test N
4. Resistance to solder heat (reflow): reflow possible: three times max.;
for temperature conditions refer to the attached "Air reflow temperature conditions" on page 4;
5. SAW devices are Electrostatic Discharge (ESD) sensitive devices.

This filter is RoHS compliant (2011/65/EU)

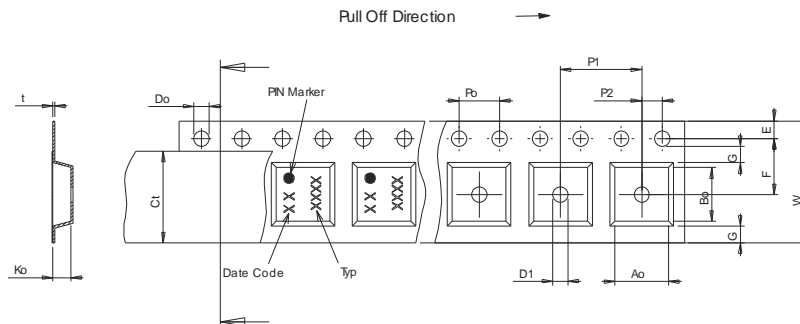
Packing

Tape & Reel: IEC 286 – 3, with exception of value for N and minimum bending radius;
tape type II, embossed carrier tape with top cover tape on the upper side;

reel of empty components at start:	min. 300 mm
reel of empty components at start including leader:	min. 500 mm
trailer:	min. 300 mm

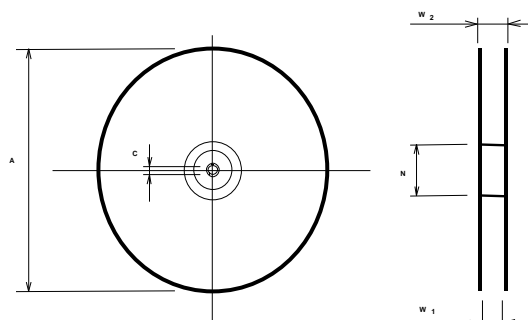
Tape (all dimensions in mm)

- W : 8.00 +0.3/-0.1
- Po : 4.00 ±0.1
- Do : 1.55 ±0.05
- E : 1.75 ±0.1
- F : 3.50 ±0.05
- G(min) : 0.75 .
- P2 : 2.00 ±0.05
- P1 : 4.00 ±0.1
- D1(min) : 1.00
- Ao : 1.80 ±0.05
- Bo : 2.25 ±0.05
- Ct : 5.30 ±0.1
- Ko : 0.90 ±0.05
- t : 0.30 ±0.05



Reel (all dimensions in mm)

- A : 330 or 180
- W1 : 8.40 +1.5/-0
- W2(max) : 14.40
- N(min) : 60.00
- C : 13.0 ±0.2



The minimum bending radius is 45 mm.

Microchip Frequency Technology GmbH
Potsdamer Straße 18
D 14 513 TELTOW / Germany
Tel: (+49) 3328 4784-0 / Fax: (+49) 3328 4784-30

Microchip Frequency Technology GmbH reserves the right to make changes to the product(s) and/or information contained herein without notice. No liability is assumed as a result of their use or application. No rights under any patent accompany the sale of any such product(s) or information.

Air reflow temperature conditions

Conditions	Exposure
Average ramp-up rate (30 °C to 217 °C)	less than 3 °C / second
> 100 °C	between 300 and 600 seconds
> 150 °C	between 240 and 500 seconds
> 217 °C	between 30 and 150 seconds
Peak temperature	max. 260 °C
Time within 5 °C of actual peak temperature	between 10 and 30 seconds
Cool-down rate (Peak to 50 °C)	less than 6 °C / second
Time from 30 °C to Peak temperature	no greater than 300 seconds

Chip-mount air reflow profile



Microchip Frequency Technology GmbH
Potsdamer Straße 18
D 14 513 TELTOW / Germany
Tel: (+49) 3328 4784-0 / Fax: (+49) 3328 4784-30

Microchip Frequency Technology GmbH reserves the right to make changes to the product(s) and/or information contained herein without notice. No liability is assumed as a result of their use or application. No rights under any patent accompany the sale of any such product(s) or information.

Microchip**Filter specification****TFS1542D****5/5**

History

Version	Reason of Changes	Name	Date
1.0	- Generation of development specification	C. Noack	23.11.2015
2.0	- Change data table	C. Noack	23.11.2015
3.0	- Generation of filter specification - Change data table - Add typical values, filter characteristic and test circuit	C. Noack	24.05.2016
3.1	- Update storage temperature range - Update construction - Update Tape & Reel	P. Jaster	08.08.2017

Microchip Frequency Technology GmbH
Potsdamer Straße 18
D 14 513 TELTOW / Germany
Tel: (+49) 3328 4784-0 / Fax: (+49) 3328 4784-30

Microchip Frequency Technology GmbH reserves the right to make changes to the product(s) and/or information contained herein without notice. No liability is assumed as a result of their use or application. No rights under any patent accompany the sale of any such product(s) or information.