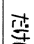


PART NO. AND CH. CODE	TREAT & FIN.	H <sub>1</sub>	H <sub>2</sub>	W <sub>1</sub>	W <sub>2</sub>	WIRE SIZE
7116-1473 (7B16-1473)	TIN PLATING	2.40	3.80	2.60	4.20	AVS0.3, 0.5, 0.85 CAVS0.5, 0.85
7116-1473-08	GOLD PLATING					
7116-1474	TIN PLATING	3.10	4.30	3.20	4.30	AVS1.25, CAVS1.25 AVSS 2
7116-1474-08	GOLD PLATING					
7116-1573-08 (7B16-1573-08)	GOLD PLATING	2.40	3.80	2.60	4.20	ABAVX0.75f
7116-1533-02	TIN PLATING	3.70	4.30	3.40	4.30	AVS1.25, CAVS1.25 AVSS 2
7116-1533-08	GOLD PLATING					

注記

1. 嵌合相手品番: 7114-1470 ETC.  
7114-9638-08 (7B14-9638-08)

2. 7116-1573-08 (7B16-1573-08)  
だけにおいて、 指示部は金ラツクユゆつきを施すこと。

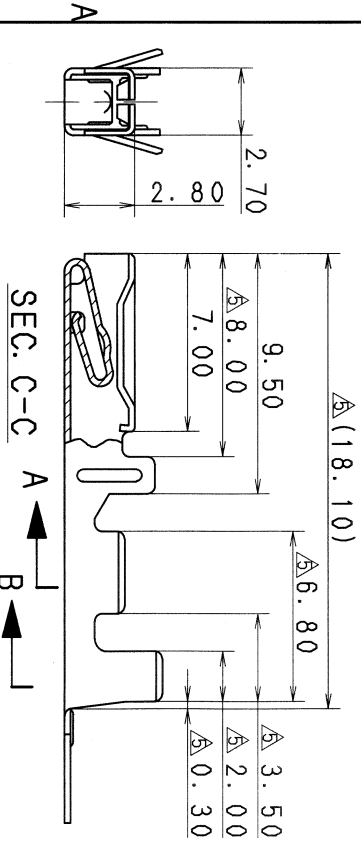
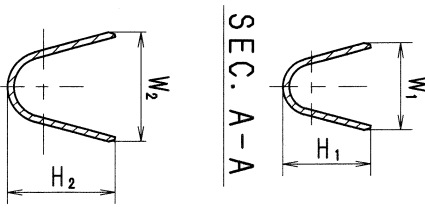
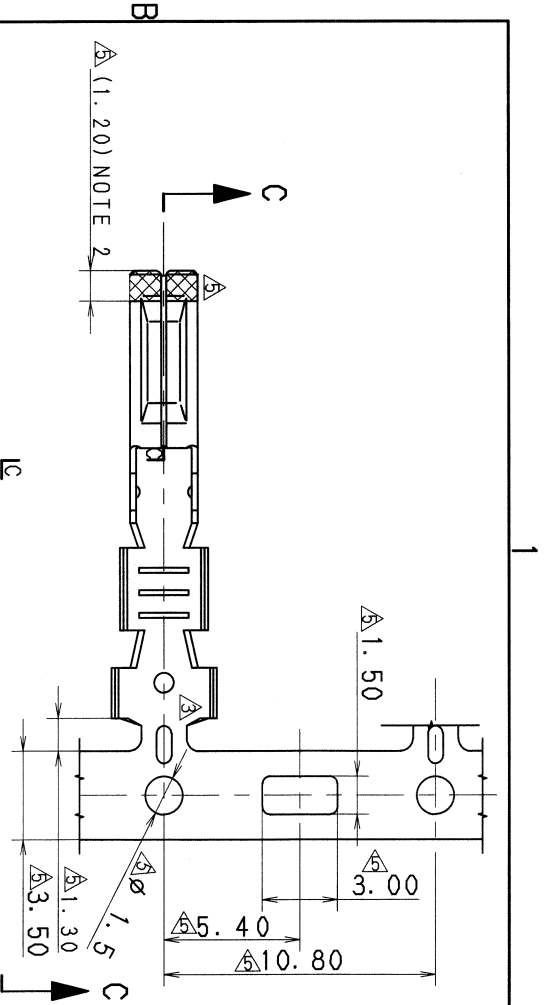
3. ( ) 内品番は、エツハツツ (A/B) 回路及び特別管理回路に使用する時に通用すること。

NOTES

1. MATING PART NO.: 7114-1470 ETC.  
7114-9638-08 (7B14-9638-08)

2. 7116-1573-08 (7B16-1573-08) ONLY SHALL BE PLATED BY GOLD FLASH. GOLD FLASH PLATING SHALL BE IDENTIFIABLE DURING VISUAL INSPECTION.

3. PART NUMBERS IN PARENTHESIS SHALL BE USED FOR AIR BAG (A/B) CIRCUITS AND OTHER CIRCUITS DESIGNATED FOR SPECIAL MONITORING.



REV.	DATE	REVISION RECORD	NO.	CHKD
△	06/11/23	ADDED PART NO., ETC.	C06-ZC72	S. S
△	05/03/14	CHANGED FORM, ETC.	C05-Z434	E. S
△	91/04/19	CHANGED NOTE	C91-6660	H. S
△	90/08/20	ADDED TABLE ETC.	C90-7054	H. Y
△	90/02/01	公差変更	C90-6119	M. K
△	89/12/19	部記訂正	C89-7641	半田
△	87/03/10	新設	7MC-0120	T. W

LET	DATE	REVISION RECORD	NO.	CHKD			
		GENERAL TOLERANCE					
		10MAX 50MAX 100MAX 250MAX 500V/R	ANGLE	ECCENT			
A	±0.15	±0.2	±0.3	±0.5	±0.75	±30'	0.1
B	±0.2	±0.3	±0.55	±0.95	±1.4	±30'	0.1
C	±0.3	±0.5	±0.8	±1.4	±2	±30'	0.15

CUSTOMER	CUSTOMER PART NO.	CUSTOMER DWG NO.

VENDOR	DWG TYPE	DWG SOURCE	DWG DATE	UNIT	SCL	ANGLE
	R	NEW	87/03/10	mm	5:1	3

OFFICE	TRIAL PART NO.	NAME
		070 TYPE TERMINAL F

MAT. SPEC.	TREAT.	ISSUE MARK
△ COPPER ALLOY (t=0.25)	△ SEE TABLE	

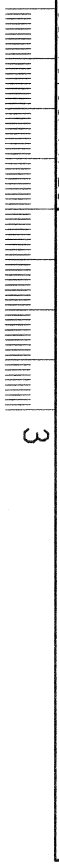
  

PART NO.	CH. CODE	DWG NO.	SET DWG NO.
7116-1473 ETC. (7B16-1473 ETC.)		7116-1473:R	

1

2

3



YAZAKI CORPORATION

# Mouser Electronics

Authorized Distributor

Click to View Pricing, Inventory, Delivery & Lifecycle Information:

[Yazaki:](#)

[71161473](#) [7116153302](#) [7116147308](#) [7116147408](#)