

EC axial fans

Series W3G250 Ø 280 x 280 x 80 mm



Highlights:

- Control Input: 0-10 VDC/PWM
- Output: 10 VDC, max 1.1 mA
- Tach Output
- Over-temperature protected electronics
- Soft start, motor current limit
- Locked rotor protection

Material: Impeller: PP plastic
Electronic housing: Die-cast aluminum

Mounting position: Any

Condensate discharge holes: None, open rotor

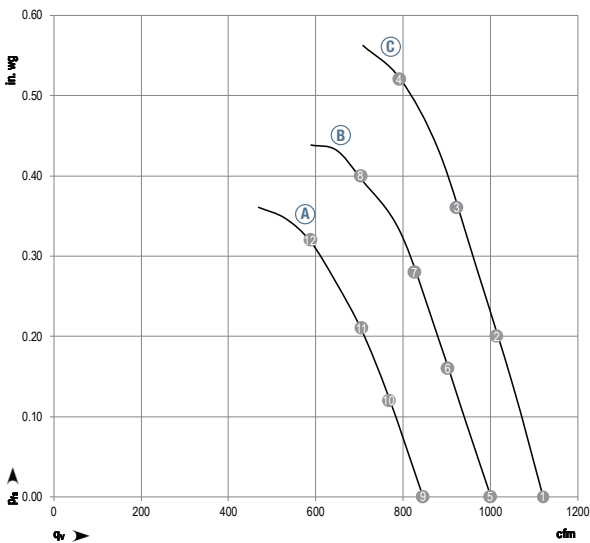
Direction of rotation: Counter-clockwise, seen on rotor

Nominal Data

| Type | Motor | Air flow cfm | Phase | Voltage VAC | Voltage range VDC | Frequency Hz | Power input (1) W | Speed (1) rpm | Current draw (1) A | Max back pressure in. H ₂ O | Temperature range (1) °C | Mass lbs | Bearing | Ingress protection rating | UL | Chart |
|----------------|-----------|-----------------|-------|----------------|----------------------|-----------------|----------------------|------------------|-----------------------|---|-----------------------------|-------------|---------|---------------------------|-----|-------|
| W3G250-HK35-11 | M3G055-CF | 1120 | 1~ | 115V | 100...130 | 50/60 | 125 | 2700 | 1.9 | 0.52 | -25...60 | 7.62 | Ball | IP54 | Yes | Ⓒ |
| W3G250-HK19-11 | M3G055-CF | 1120 | 1~ | 230V | 200...240 | 50/60 | 125 | 2700 | 1.1 | - | -25...60 | 7.62 | Ball | IP54 | Yes | Ⓒ |
| W3G250-HH07-03 | M3G055-CF | 1000 | 1~ | 230V | 200...240 | 50/60 | 83 | 2330 | 0.72 | - | -25...60 | 4.62 | Ball | IP54 | Yes | Ⓑ |
| W3G250-HH53-03 | M3G055-CF | 846 | 1~ | 115V | 100...130 | 50/60 | 56 | 2040 | 0.9 | 0.32 | -25...50 | 4.62 | Ball | IP54 | Yes | Ⓐ |

(1) Nominal data at maximum load.

Curves



Air performance measured as per: ISO 5801, Installation category A, without protection against accidental contact.

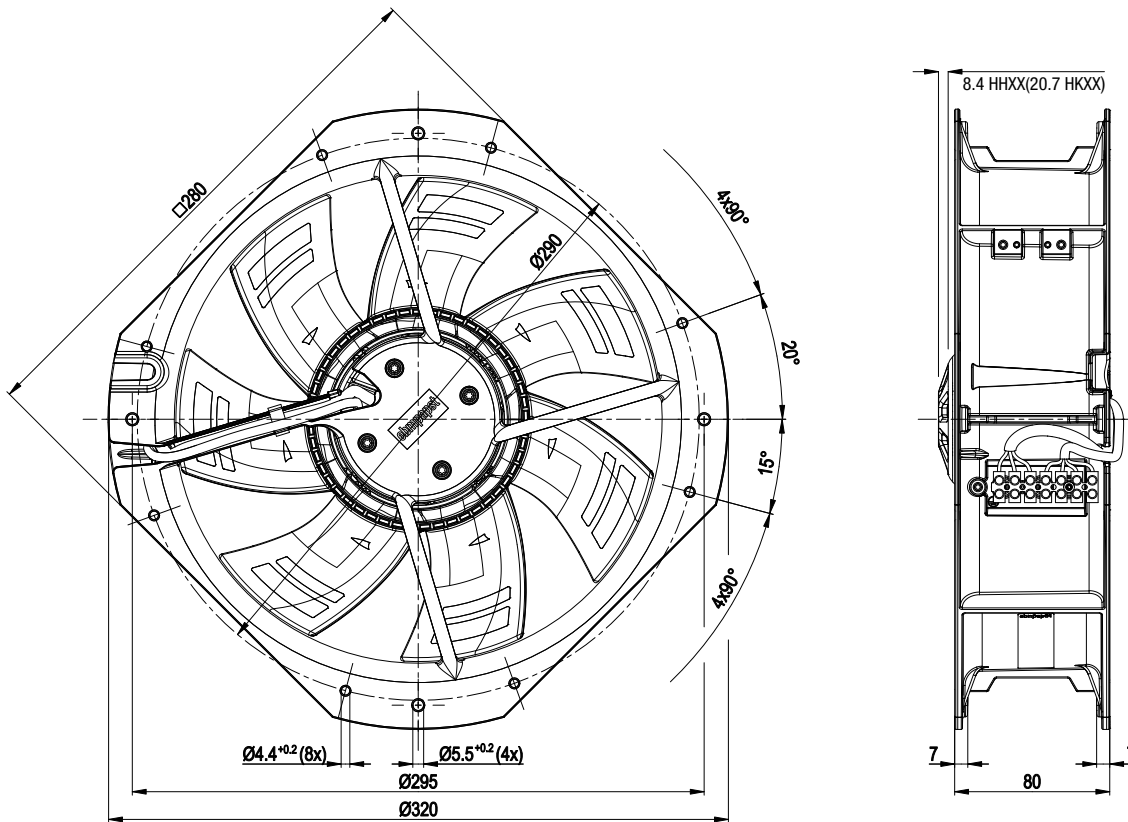
Suction-side noise levels: L_{WA} as per ISO 13347, L_{PA} measured at 1m distance to fan axis.

The values given are valid under the measuring conditions mentioned and may vary according to the actual installation situation.

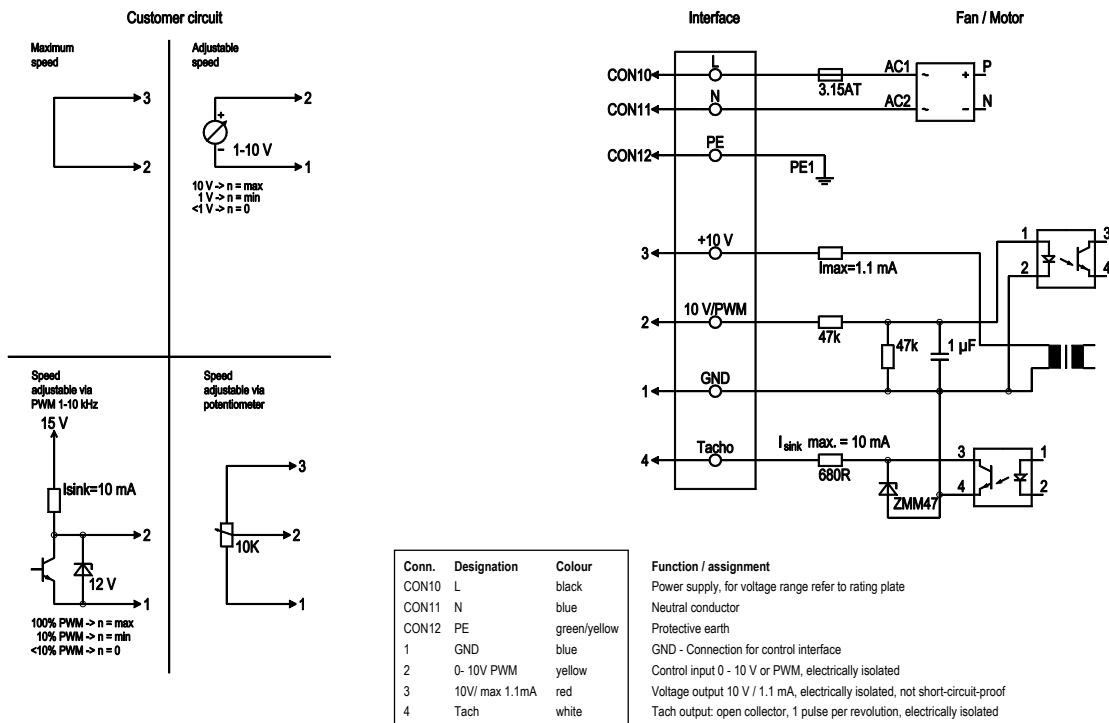
With any deviation to the standard set-up, the specific values have to be checked and reviewed once installed or fitted.

For detailed information on the measuring set-up, please contact ebm-papst.

| | n rpm | Pe W | I _{230V} A | I _{115V} A | L _{pAin} dB(A) | L _{WAin} dB(A) |
|----|----------|---------|------------------------|------------------------|----------------------------|----------------------------|
| 1 | 2845 | 96 | 0.83 | 1.43 | 64 | 70 |
| 2 | 2795 | 109 | 0.93 | 1.61 | 64 | 70 |
| 3 | 2755 | 119 | 1.01 | 1.72 | 64 | 71 |
| 4 | 2700 | 125 | 1.10 | 1.90 | 64 | 71 |
| 5 | 2465 | 67 | 0.59 | - | 62 | 69 |
| 6 | 2410 | 75 | 0.65 | - | 61 | 69 |
| 7 | 2375 | 80 | 0.68 | - | 61 | 68 |
| 8 | 2330 | 83 | 0.72 | - | 60 | 68 |
| 9 | 2133 | 43 | - | 0.72 | 57 | 65 |
| 10 | 2101 | 49 | - | 0.80 | 57 | 65 |
| 11 | 2087 | 52 | - | 0.84 | 57 | 64 |
| 12 | 2054 | 55 | - | 0.90 | 60 | 66 |



Connection screen



Mouser Electronics

Authorized Distributor

Click to View Pricing, Inventory, Delivery & Lifecycle Information:

[ebm-papst:](#)

[W3G250-CL53-11](#)