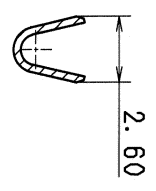


NOTES

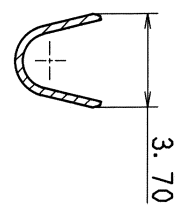
1. MATING MALE TERMINAL: 7116-4020-08
2. APPLICABLE WIRE SIZE: EQUIVALENT TO CAVS. 0.30~0.50
3. PART NUMBERS IN PARENTHESIS SHALL BE USED FOR AIRBAG (A/B) CIRCUITS AND OTHER CIRCUITS DESIGNATED FOR SPECIAL MONITORING.

△注記

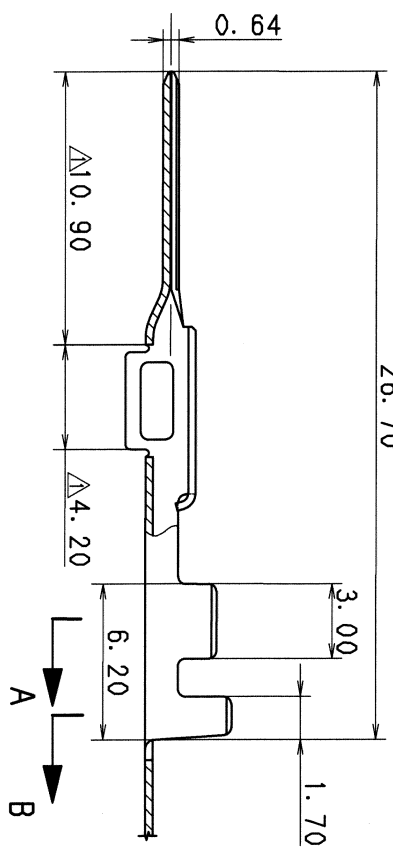
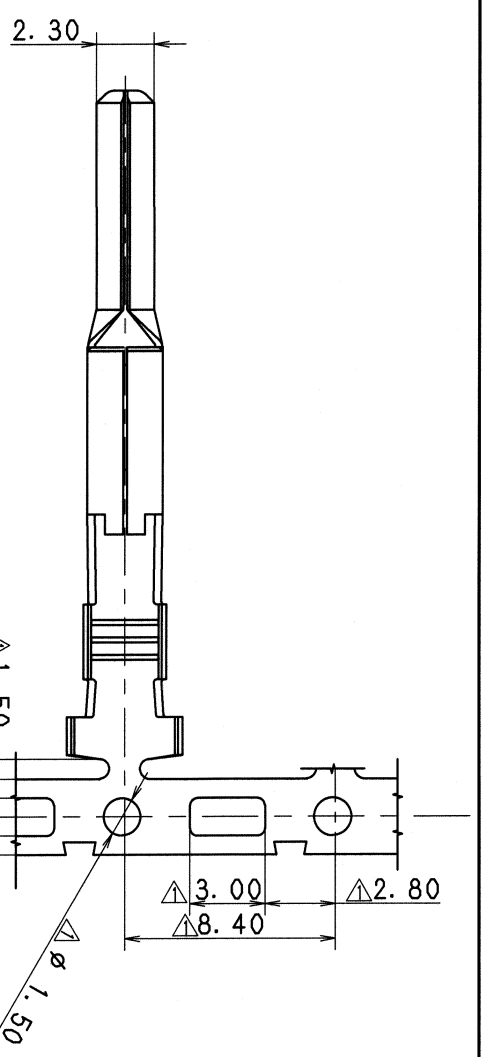
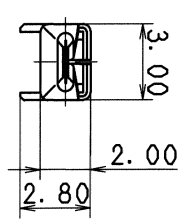
1. 嵌合サイズミナル : 7116-4020-08
2. 適用電線サイズ CAVS 0.30~0.50 相当とする。
3. ( ) 内品番はA/B回路及び特別管理回路に使用するに。



SEC. A-A



SEC. B-B



ISSUE MARK

CUSTOMER		CUSTOMER PART NO.		CUSTOMER DWG NO.		MATERIAL SPEC.		TREAT. & FIN.	
ADDED A/B PART NO. ETC.		C04-ZE92		T. H		BRASS (t=0.30)		GOLD PLATING	
NEW		C94-M408		K. O		090II TERMINAL MALE			
REVISION RECORD		NO.		CHKD		NAME			
GENERAL TOLERANCE		VENDOR NO.		VENDOR		PART NO.		7114-4020-08 (7B14-4020-08)△	
10MAX		50MAX		100MAX		250MAX		2500Vr	
ANGLE		ECCENT		DWG. TYPE		DWG. SOURCE		DWG. DATE	
±0.15		±0.2		±0.3		±0.5		±0.75	
±0.2		±0.3		±0.55		±1.4		±1.4	
±0.3		±0.5		±0.8		±1.4		±2	
±30'		±30'		±30'		±30'		0.15	
MASS		9		14.11.19		2		89/03/16	
APPROVED		CHECKED		CHECKED		DESIGN		DRAWN	
R		NEW		94/09/29		M.M		5:1	
M		M		M		M		J	
M. TSUJI		J. GAVILANCA		Rohrer GAVIZA					
DWG. NO.		7114-4020-08:R		SET DWG. NO.		YAZAKI CORPORATION			

# Mouser Electronics

Authorized Distributor

Click to View Pricing, Inventory, Delivery & Lifecycle Information:

[Yazaki:](#)

[7114402008](#)