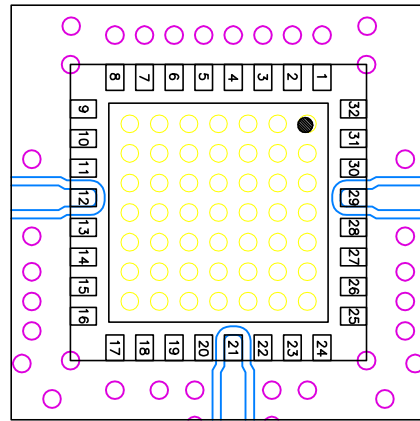
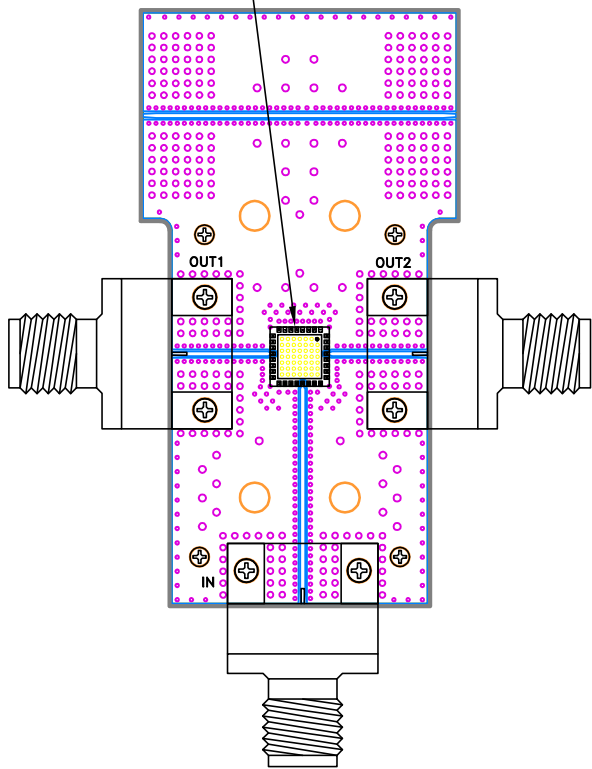
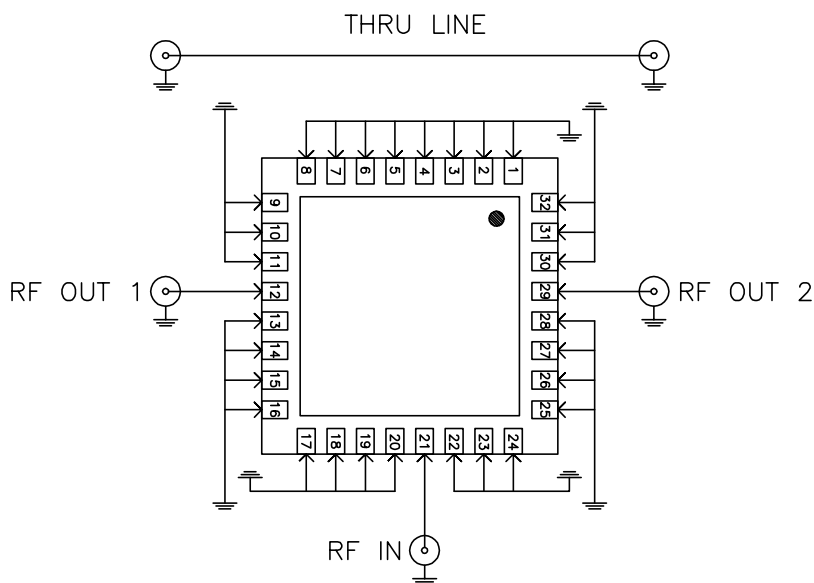


Evaluation Board and Circuit

SEE DETAIL "A"



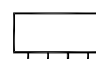
DETAIL "A"
(SCALE 5:1)



SCHEMATIC DIAGRAM
(SCALE 5:1)

Notes:

1. 2.92mm Female Connectors.
2. PCB Material: Roger R04350B or equivalent,
Dielectric constant=3.5, Thickness=0.010 inch

 **Mini-Circuits®**

Mouser Electronics

Authorized Distributor

Click to View Pricing, Inventory, Delivery & Lifecycle Information:

[Mini-Circuits:](#)

[TB-EP2RKUC+](#)