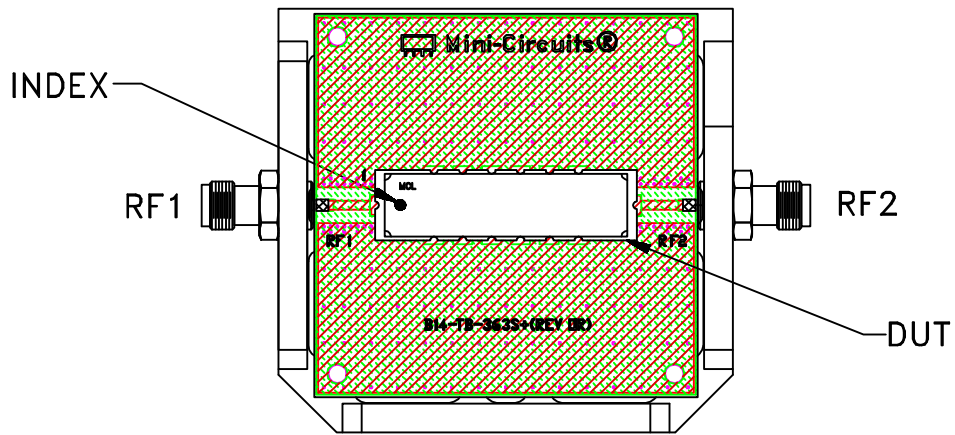
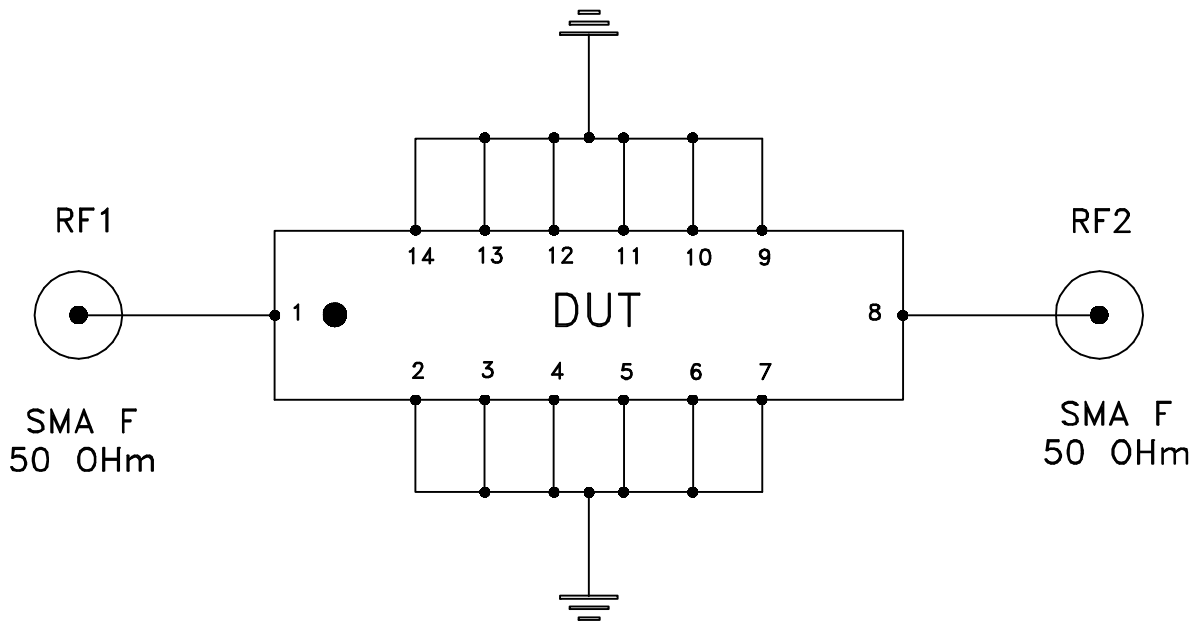


Evaluation Board and Circuit




TB-363+



Schematic Diagram

Notes:

1. 50 Ohm SMA Female connectors.
2. PCB Material: ROGERS R04350 or equivalent,
Dielectric Constant=3.48, Thickness=.030 inch.

 **Mini-Circuits®**

Mouser Electronics

Authorized Distributor

Click to View Pricing, Inventory, Delivery & Lifecycle Information:

[Mini-Circuits:](#)

[TB-BPF-A1140+](#)