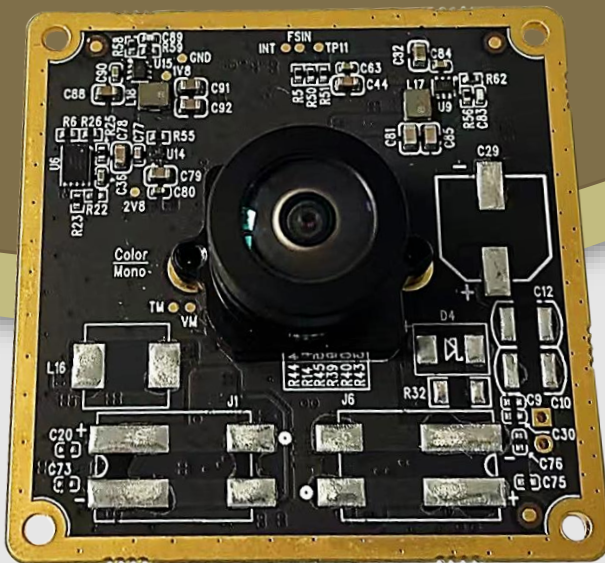




**LEOPARD**  
IMAGING

# LI-OX05B1S-MIPI-137H



**Address:**

910 Auburn Ct  
Fremont, CA 94538  
USA



**Phone:**

+1 (408)263-0988

**Fax:**

+1 (408)217-1960



**Sales:**

[sales@leopardimaging.com](mailto:sales@leopardimaging.com)

**Support:**

[support@leopardimaging.com](mailto:support@leopardimaging.com)

## INTRODUCTION

The LI-OX05B1S-MIPI-137H is a MIPI CSI-2 camera with OmniVision 1/2.5" RGB-IR CMOS 5MP global shutter image sensor OX05B1S. This camera outputs 2592 x 1944 RAW data.

## SPECIFICATIONS

Sensor	OmniVision 1/2.5" RGB-IR CMOS 5MP Image Sensor OX05B1S
Optical Format	1/2.5"
Resolution	2592 (H) x 1944 (V) (active pixels)
Pixel Size	2.2 x 2.2 $\mu\text{m}$
Shutter	Global shutter
Output Format	RAW RGB-IR
Maximum Frame Rate	60 fps @ 1944p
ISP	Not included
Color / Mono	RGB-IR
Interface	4-lane MIPI CSI-2
Power Consumption	Approximate 100 mA @ 3.3 VDC (2592 x 1944 @ 30 fps)
Operating Temp	-20°C ~ +60°C
Storage Temp	-20°C ~ +60°C
Weight	~ 15 g
Part#	LI-OX05B1S-MIPI-137H

## APPLICATIONS

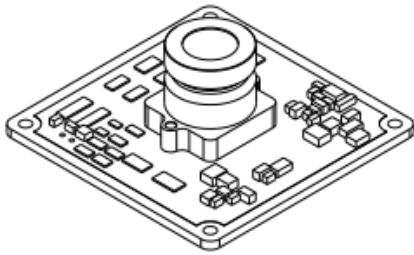
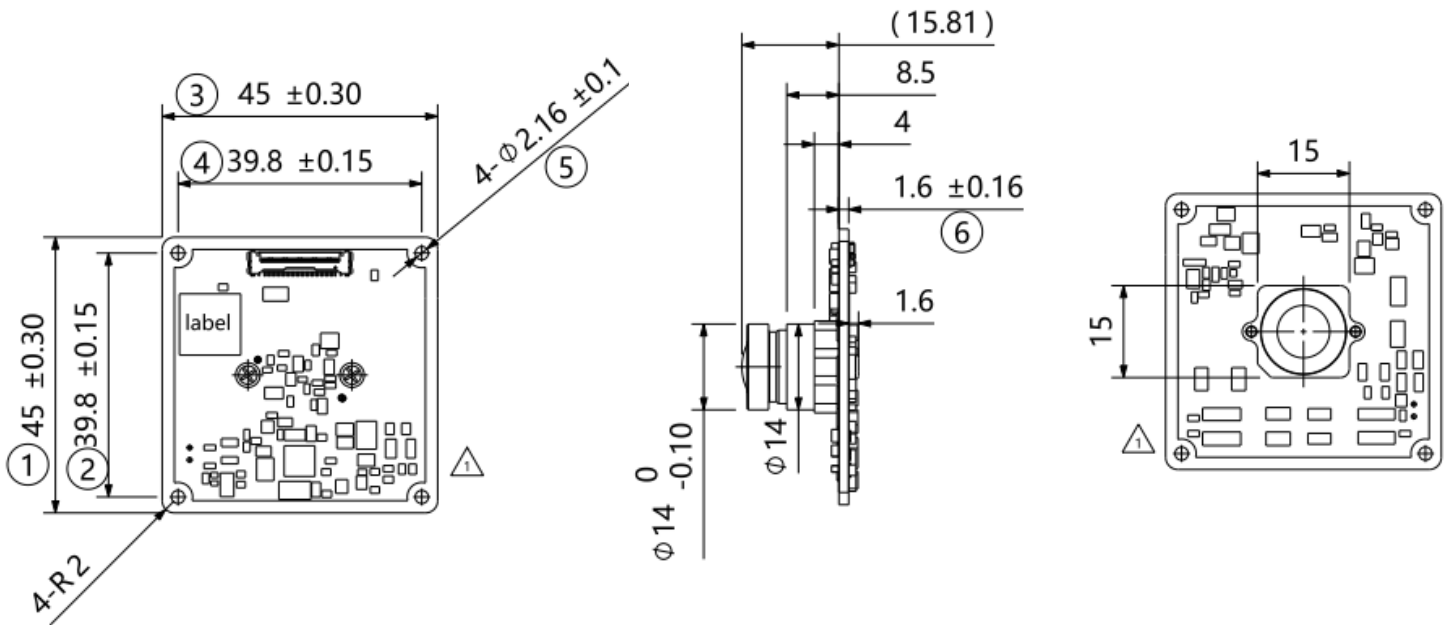
- Automotive
  - Autonomous Driving
  - Driver Monitoring System
  - Occupant Monitoring System
  - In-Cabin Monitoring System

## LENS SPECIFICATIONS

Focal Length	2.666 mm
Aperture, F/#	2.4
Field of View (FOV)	137° horizontal
Optical Distortion	-87.08% (F-tan $\theta$ )
Relative Illumination	43.99%
IR Filter	Visible + 940 nm IR filter
Lens Mount	M12 x P0.5



## DIMENSIONS



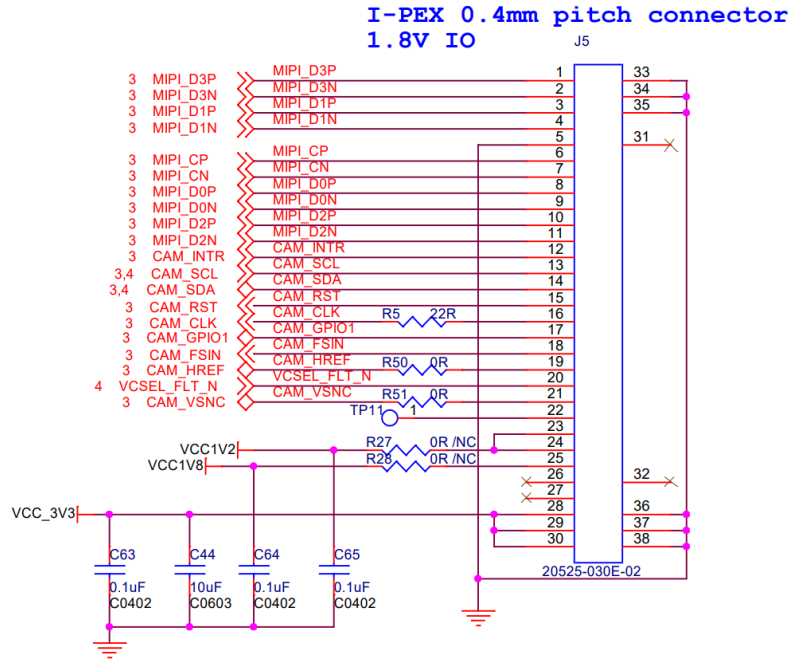
### NOTE:

- $\otimes$  marked are important sizes.
- Other unmarked tolerances are  $\pm 0.3$  mm.
- All materials are compliant with RoHS and REACH requirements

Unit: mm

# INTERFACE J5

- Connector Part#: 20525-030E-02
- Number of Positions: 30
- Pitch: 0.4 mm
- Mating I-PEX cable: LI-FAW-1233
- Sensor I2C Address: 0x6C (8-bit)
- External Power Supply: 3.3V
- 2.8V (analog), 1.8V and 1.2V are generated from board



- REVISION HISTORY

Revision	Description	Release Date
1.0	First release.	15 Jan 2024

910 Auburn Ct, Fremont, CA 94538, USA

Phone: +1-408-263-0988

Fax: +1-408-217-1960

Email: [sales@leopardimaging.com](mailto:sales@leopardimaging.com)

Website: [www.leopardimaging.com](http://www.leopardimaging.com)



# Mouser Electronics

Authorized Distributor

Click to View Pricing, Inventory, Delivery & Lifecycle Information:

[Leopard Imaging:](#)

[LI-OX05B1S-MIPI-137H](#)