

2W/9 dB Fixed Attenuator, SMA Male to SMA Female
Stainless Steel Body Up to 18 GHz



LCAT1005-09

Features

- Input Power 2W max
- Attenuation accuracy 9±0.5dB
- Frequency range from DC to 18GHz
- Operating temp range from -55 to 125C
- VSWR <1.30:1

Applications

- Instrumentation
- Precision measurements
- Production systems
- Prototyping and characterization
- RF test systems

Description

L-com carries a wide range of fixed attenuators with a broad selection of attenuation levels and frequency ranges. RF fixed attenuators lower the amplitude of a signal (attenuate) by specific amount and can be used in a wide variety of applications. These attenuators are used when signal levels need to be reduced to protect measurement equipment or other circuitry, to extend the range of power meters and amplifiers, and to impedance match circuits by reducing the VSWR seen by adjacent components. RF attenuators can prevent signal overload in amplifiers, receivers and detectors, adjusting the signal level to optimal power range.

Few RF components are as commonly used as fixed coaxial attenuators, and L-com carries one of the largest in-stock varieties and ships them same day. The 9 dB Fixed Attenuator LCAT1005-09 is rated to 2 Watts and operates from DC to 18 GHz. The versatile coaxial package uses SMA male to SMA female connectors and is also RoHS compliant.

Electrical Specifications

Description	Minimum	Typical	Maximum	Units
Frequency Range	DC		18	GHz
Impedance		50		Ohms
Nominal Attenuation		9		dB
Attenuation Accuracy		0.5		dB
VSWR			1.3:1	
Input Power, CW			2	Watts
derated linearly to 0.5W @ 125°C				
Input Power, Peak			500	Watts

Electrical Specification Notes:
0.5KW (5µs pulse with 0.4% duty cycle)

Mechanical Specifications

Size

Length	0.85 in [21.59 mm]
Width/Diameter	0.312 in [7.92 mm]
Weight	0.0088 lbs [3.99 g]
Body Material and Plating	Stainless Steel

Configuration

Design	Fixed
Package Style	Connectorized Module

2W/9 dB Fixed Attenuator, SMA Male to SMA Female
Stainless Steel Body Up to 18 GHz



LCAT1005-09

Connectors

Description	Connector 1	Connector 2
Type	SMA Male	SMA Female
Contact Material and Plating	Brass, Gold	Beryllium Copper, Gold
Coupling Nut Material and Plating	Stainless Steel	
Hex Size	5/16 inch	
Body Material and Plating	Stainless Steel	Stainless Steel

Environmental Specifications

Temperature

Operating Range -55 to +125 deg C

Compliance Certifications (see [product page](#) for current document)

Plotted and Other Data

Notes:

Typical Performance Data

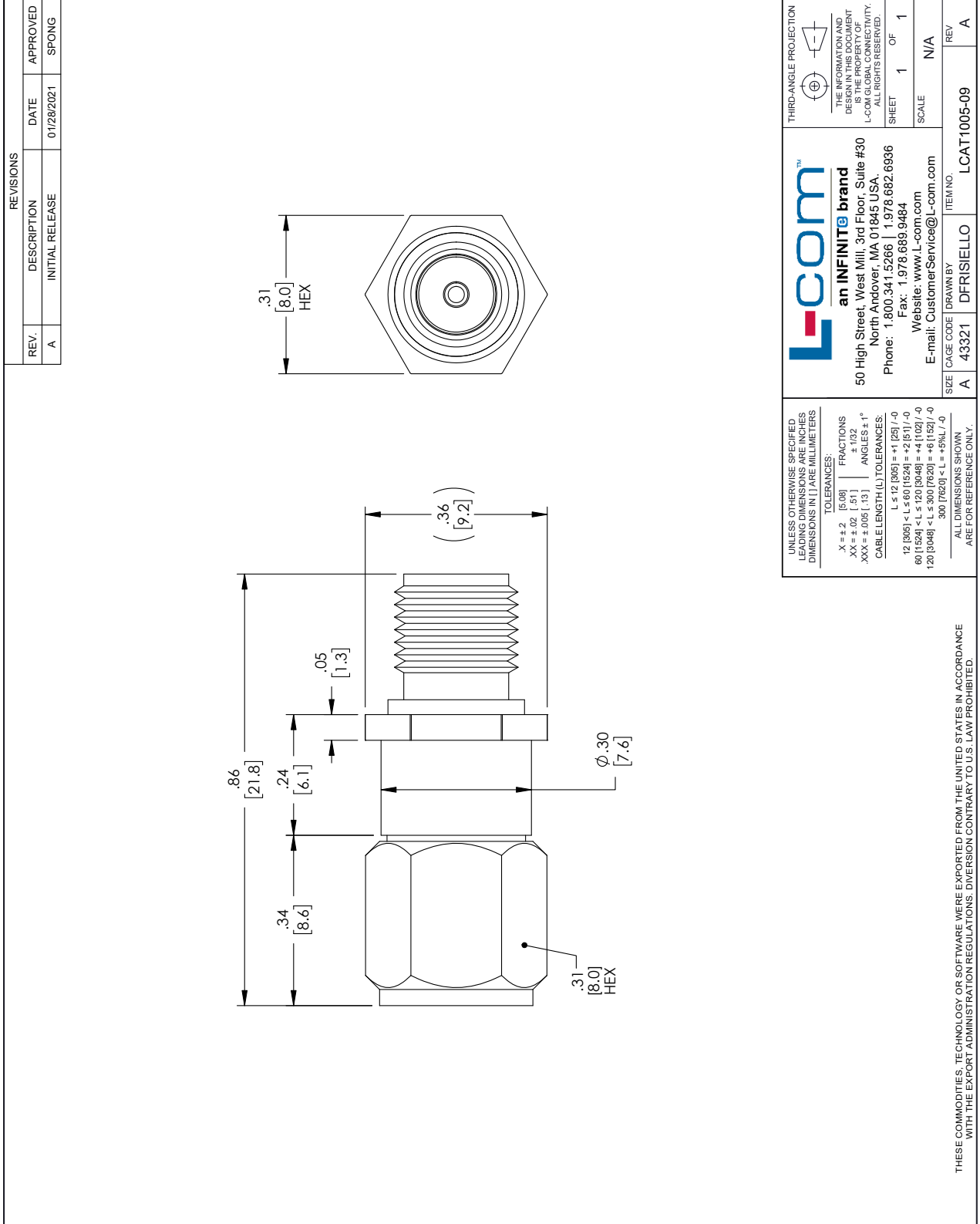
2W/9 dB Fixed Attenuator, SMA Male to SMA Female Stainless Steel Body Up to 18 GHz from L-com has same day shipment for domestic and International orders. Our portfolio includes coaxial cable assemblies, connectors, adapters and custom products as well as lightning and surge protectors, NEMA rated enclosures, and an RF product line which includes antennas, amplifiers, passive, and active components.

URL: <https://www.l-com.com/2w-9-db-fixed-attenuator-sma-male-sma-female-stainless-steel-body-up-18-ghz-lcat1005-09-p.aspx>

The information contained within this document is accurate to the best of our knowledge and representative of the part described herein. It may be necessary to make modifications to the part and/or the documentation of the part in order to impliment improvements. L-com reserves the right to make such changes as required. Unless otherwise stated, all specifications are nominal. L-com does not make any representation or warranty regarding the suitability of the part described herein for any particular purpose, and L-com does not assume liability arising out of the use of any part or document.

LCAT1005-09 CAD Drawing

2W/9 dB Fixed Attenuator, SMA Male to SMA Female Stainless Steel Body Up to 18 GHz



Mouser Electronics

Authorized Distributor

Click to View Pricing, Inventory, Delivery & Lifecycle Information:

[L-Com:](#)

[CL1150](#)